



IQTraffiControl.com

Wireless Traffic Control Solutions

Have you checked the IQ of your Traffic systems?





IQTraffiControl manufacturer and Exporter of traffic control solutions that bring safety to the streets and increase the public safety and reduced traffic congestion by allowing traffic lights to function even during a power failure. A typical traffic signal intersection experiences eight to ten local power outages annually.. These units are compact, durable, and built to power a wide range of applications. Industry and Military applications!

Basic System includes

- -Housing available in yellow, black and green (standard Black).
- -Led Lamps IQLED, Long Life LEDs last for 100,000 Hours.
- -Meets ITE Chromatic and Visibility Requirements.
- -Long life, virtually no maintenance.
- -Solar Panel.
- -Structure for solar panel.
- -Pole Top mounts.
- -Adjustable 0-90 horizontal and 360 about pole.
- -Charge controller.
- -Batteries: Long-Life - Deep-Cycle - Maintenance-Free.

Features:

- -Low-Cost Installation -- Easily and Quickly Deployed in Any Location.
- -The Flexible design enables any configuration of bi-directional or dual flasher system solution.
- -LED Beacons - Long-Life with Extremely Low Power Consumption.
- -Virtually Maintenance-Free Design.
- -Vandal and Theft Resistant Components and Hardware.
- -25-Year Warranty on Solar Modules.
- -3 days' worth of Backup energy for cloudy days.

Benefits:

- -Your next scheduled maintenance will be in 5 to 7 years!
- -Promotes speed compliance.
- -Proven technology.
- -Vandal and theft-resistant components and hardware.
- -Low installation cost.
- -Easily and quickly deployed in almost any location.
- -NO run wiring from grid!
- -NO cuts through existing roads, sidewalks or landscaping.
- -NO Maintenance.
- -NO Utility bill.
- -Maintenance Free Batteries!
- -Big Credits and Savings form State and Federal Taxes.
- -Pays for itself in the form of reduced installation, maintenance and servicing costs.
- -Reliable operation 365 days per year at nearly any location.

Environmental Specifications

- System withstand and operate at temperature extremes of 40°F - +165°F



Optional:

- Aluminum Pole and base.
- Galvanized Square Posts.
- Timer 365.
- Signs.
- Battery enclosures.
- Wireless Traffic Control.



Applications:

- -24-Hour Flashing Beacon Systems.
- -School Zone Flashing Beacon Systems with Programmable Time Control.
- -Speed Awareness Displays.
- -Firehouse Entrance / Exit Warning Beacons.
- -Intersection / Crosswalk Warning.
- -Work Zones.
- -Sharp Curve Warning.
- -Factory/Plant/Facility Entrance Warning.
- -Railroad warning.
- -Ice on bridge warning.
- -Low water crossing.

• -Required an optimally oriented solar panel at the installation site.

-Test Conditions: of 1.5 air mass spectrum; 20 degrees C ambient air temp; 1 sun (1000 watts per square meter at POA irradiance); 1 meter per second wind speed at 10 meters above grade)

Packaging information: Brown Box (Individual Packing for each part).

- **Meets MUTCD,**
- **Meets Safe Routes**
- **Meets ITE Standards**
- **Meets NCHRP 350 Crash Test**

Manufacturer of Transportation Safety Systems

IQTraffiControl.com designs and manufactures a complete line of high-flux LED products for the transportation market. We offer a complete line of LED products used in lighting for airports, bus stops, rail ways, traffic signals, outdoor lighting and other related applications.



Our transportation products are more efficient, last longer and typically consume 90% less energy than incandescent lights, yielding substantial operational cost savings. Because their service life span is typically 10 times (approximately eleven years) that of incandescent, these products offer even greater maintenance savings due to longer replacement intervals. In addition, they are environmentally friendly.

OkSolar solar powered warning signals using a combination of solar power and energy-efficient LED lights that allow the transportation engineer the flexibility to deliver critical warnings in virtually any conditions or location, regardless of power availability.

IQTraffiControl.com offers a full array of red, yellow, green and white LED products for use in traffic signal balls, arrows and pedestrian signals, as well as a complete range of signaling products. Installation of LED Signals can offer significant savings in operating and maintenance costs resulting in a quick return on initial investment.



IQTraffiControl.com also provides remote control and paging equipment to control flashing systems from a central office or computer network. We offer custom design and field engineering services available to support our nationwide dealer network Global Positioning Satellite Synchronization.



Battery Backup Systems for LED Traffic Signs combination of Solar and Fuel Cells.

IQUPS Battery Backups Prevent Accidents at Critical Traffic Signals: Increase the public safety and reduced traffic congestion by allowing traffic lights to function even during a power failure. A typical traffic signal intersection experiences eight to ten local power outages annually.

This seamless switchover to battery power increases public safety and eliminates the need to dispatch police or other service personnel to direct traffic.

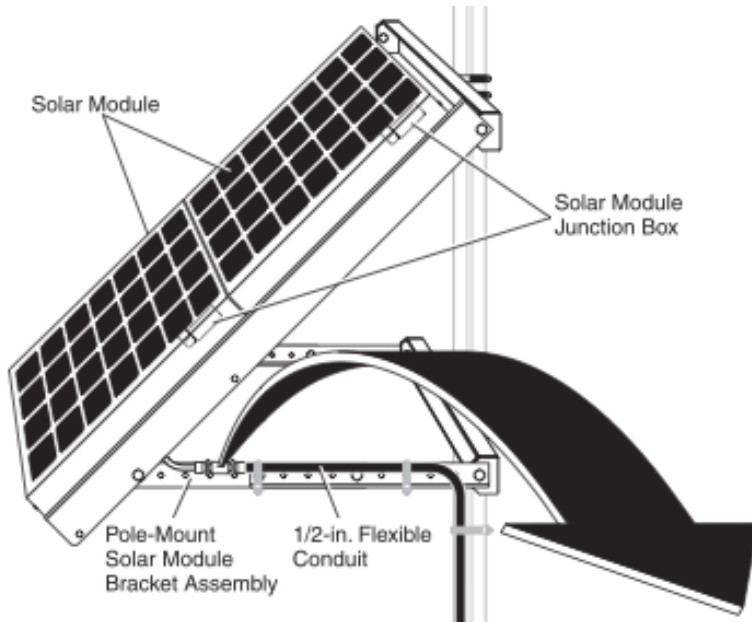
LED traffic signals backup operation: the battery backup system would allow full operation of the traffic signals during a power outage, thus alleviating traffic congestion **combining batteries, Fuel Cells and Solar**



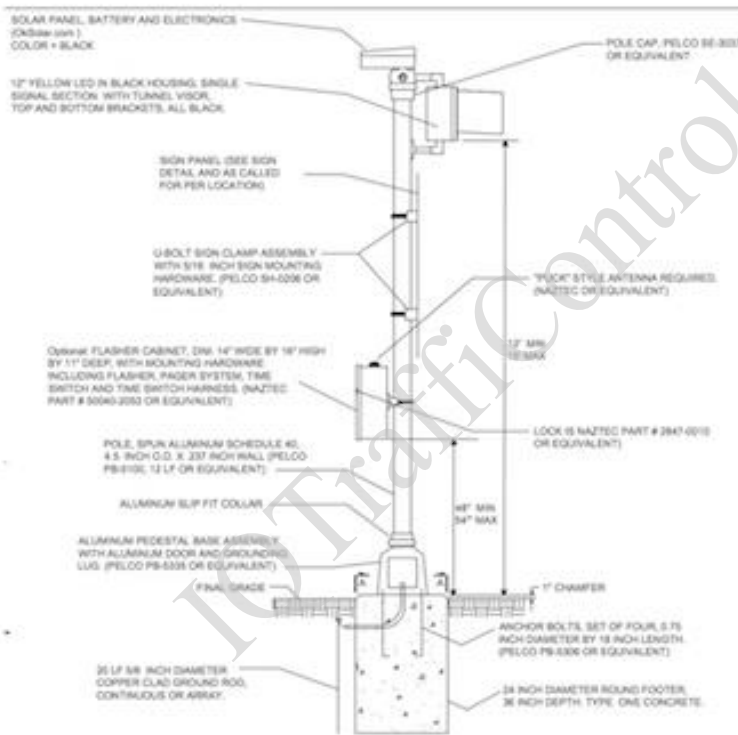
Our team is dedicated to helping you implement the best possible lighting solution to fit your needs. Call us for expert advice and top quality solutions.



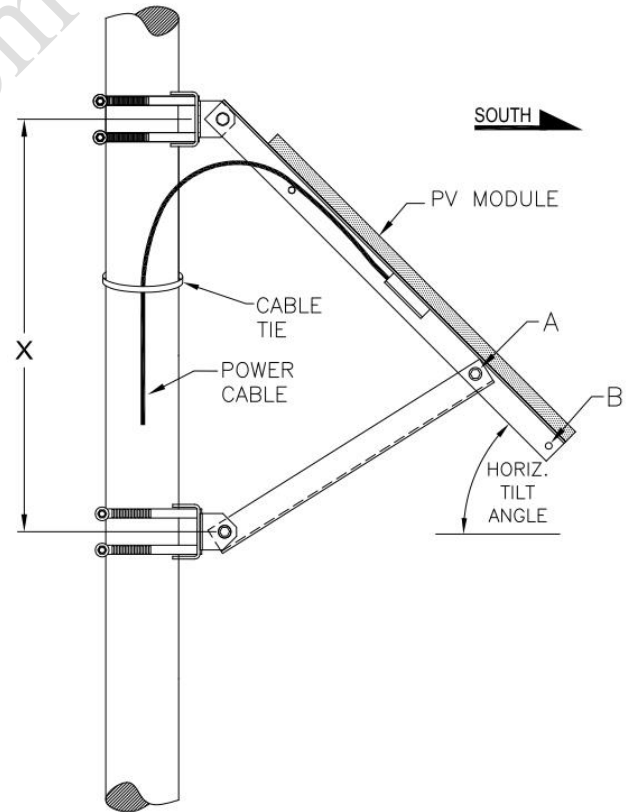
Sample Configurations:



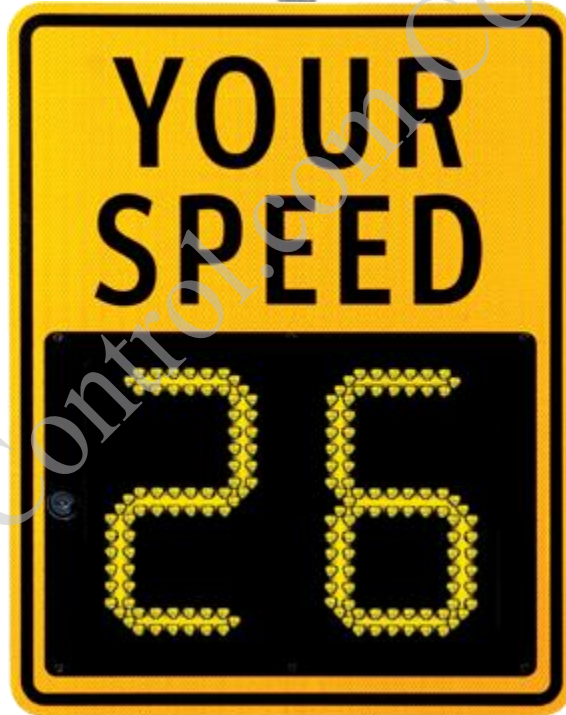
Solar Powered School Beacons Item# 160800 by IQTraffiControl.com



SOLAR POWERED SCHOOL BEACON

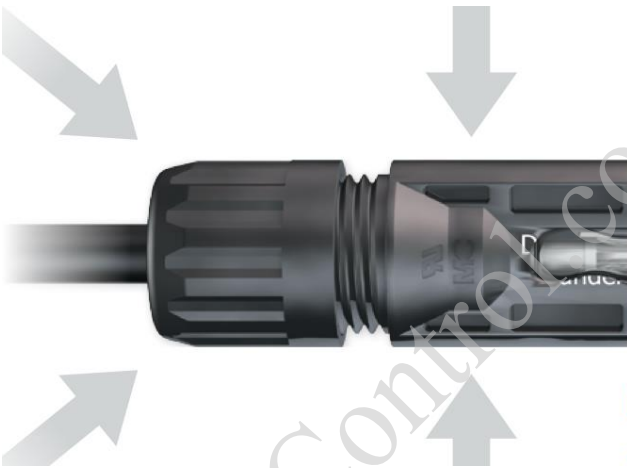


Have You Checked the IQ of your Traffic Systems?



Our Systems use State of the Art Plug and Play









Have You Checked the IQ of your Traffic Systems?



IQTrafficControl.com Confidential



IQTrafficControl.com Confidential





Have You Checked the IQ of your Traffic Systems?



Have You Checked the IQ of your Traffic Systems?



Have You Checked the IQ of your Traffic Systems?



Have You Checked the IQ of your Traffic Systems?



Have You Checked the IQ of your Traffic Systems?



Have You Checked the IQ of your Traffic Systems?



Have You Checked the IQ of your Traffic Systems?



IQTrafficControl.com Confidential

Have You Checked the IQ of your Traffic Systems?



Have You Checked the IQ of your Traffic Systems?



Have You Checked the IQ of your Traffic Systems?



Item# 160400 IQLED solar led illumination 3000 Lumens NEW 2013

Your next scheduled maintenance of IQ Solar Lighting systems will be in 5 to 7 years!



Have You Checked the IQ of your Traffic Systems?

Complete turn-key systems: The systems are designed for installation onto a wood, concrete, or metal mounting pole. All components needed for installation are included, except for the mounting arm and pole, which can be ordered separately. The solar units provide all the energy needed for system operation, so installation and maintenance expense are minimal

LED Lighting anywhere any time Deploy in about 5 to 10 minutes.

Mobile Units deploy worldwide and at a moment's notice, rugged enough to withstand transits to the location and operations anywhere anytime.

Operating description: This area lighting system converts the sun's energy into electricity and stores it to provide 10 hours or Dusk to Dawn illumination plus three to seven day's worth of backup energy. The System automatically activates itself at sunset and stays on until sunrise.

System Life Expectancy:

- **Battery Life Expectancy:** Minimum life expectancy of five years, but they typically have a duration of seven to eight years.
- **Solar Collector Life Expectancy:** Minimum life expectancy of 21 years, but they typically have a duration of 21-25 years.

Features Include:

- Photovoltaic solar panel.
- Battery specifically designed for deep cycle PV applications. (Maintenance Free Batteries!)
- Electronic charge controller.
- Solar Panel pole mounting (Adjustable 0 to 90 degrees Stainless steel fasteners)
- Designed to withstand high wind velocities.
- **Optional:** Cast aluminum housing pad enclosure with a lockable door.

Test Conditions: of 1.5 air mass spectrum; 20 degrees C ambient air temp.; 1 sun, (1000 watts per square meter at POA irradiance); 1 meter per second wind speed at 10 meters above grade)

Activation Switch On/Off: A microprocessor automates the functions of the system automatically activates from sunset to sunrise; has a timer, regulating the hours the light stays on; also regulates the battery, preventing overcharging and protecting against discharging. **Optional** wireless on/off

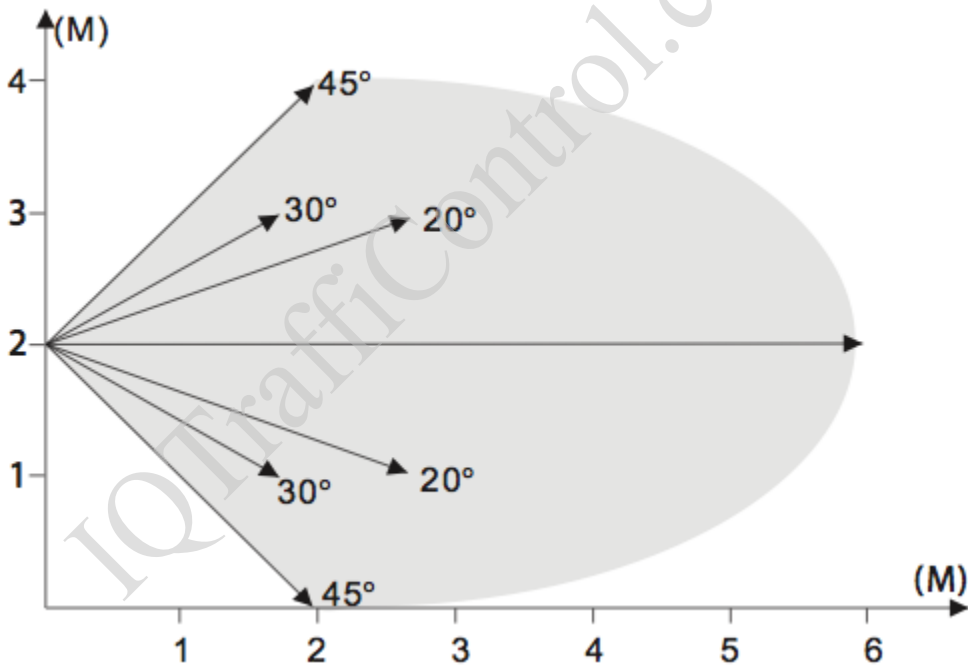
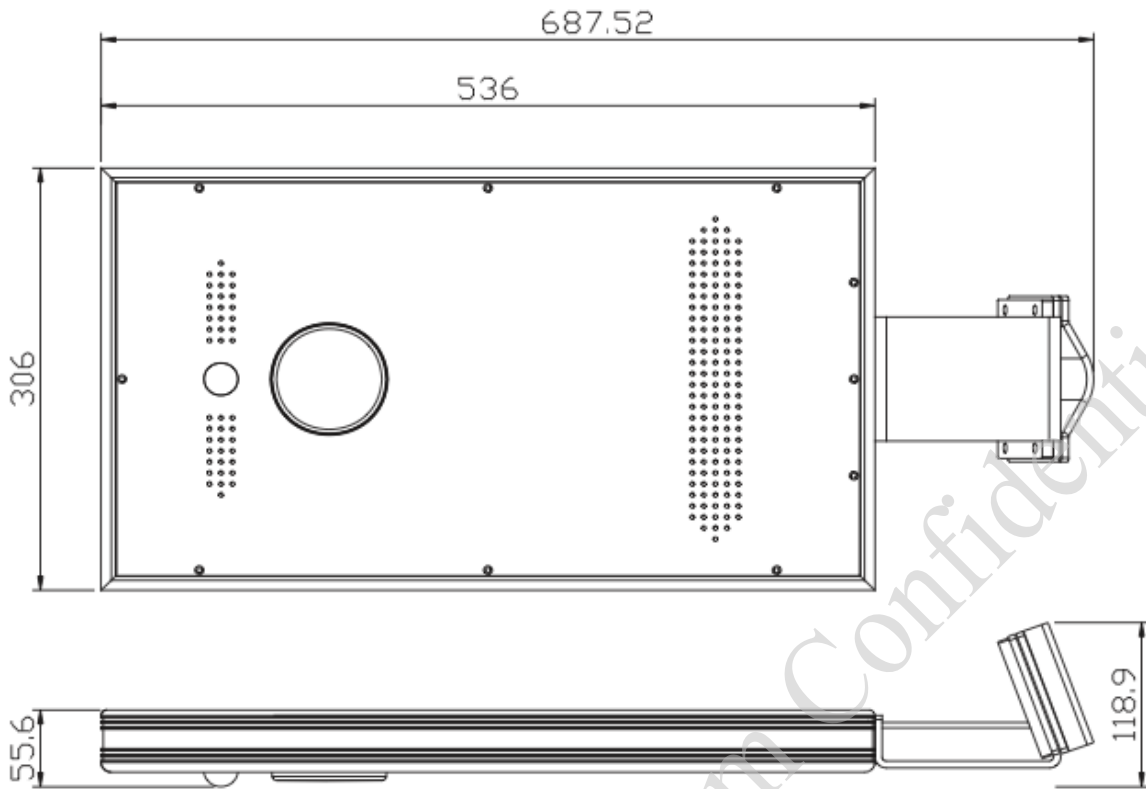
Operating time while fully charged: 8-10 hours per day x 2-5 continuous rainy days daily for extended run times use we suggest adding Item# 160799

Daily Radiation Zone: Designed for Zone with 4-5 Hours of daily Insulation.

Temperature of work environment: Optimal Ambient -20 to +25 C (-4 to 77 F)

Maximum Ambient Temperature -40 to +80 C (-40 to 176 F).

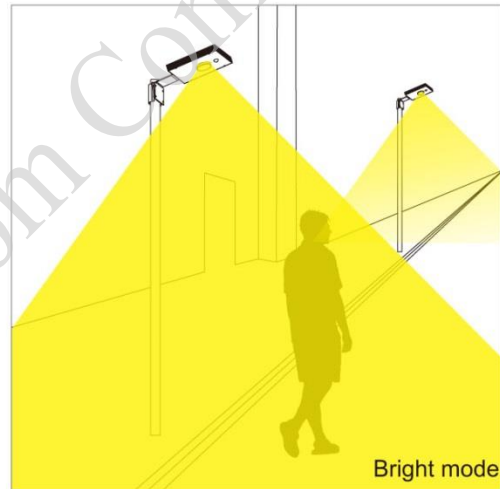
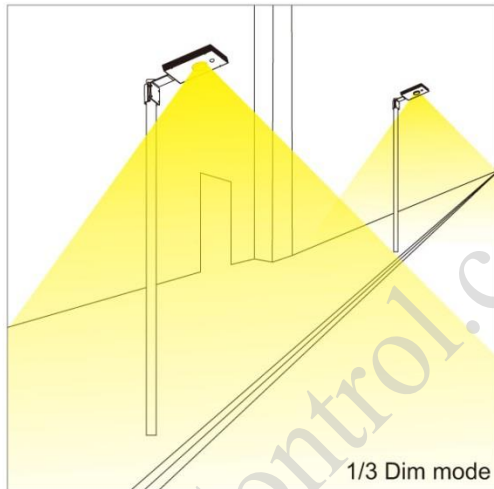
Have You Checked the IQ of your Traffic Systems?



Have You Checked the IQ of your Traffic Systems?



Solar lights works at dim mode when humans are not around. Integrated Passive Infrared. Sensor to increase light output when motion is detected.



Civil Industrial and Military Applications Remote Controlled Bullet, Explosion Proof and defense applications, the unit is also available in infrared (IR). *Contact Us Today!*



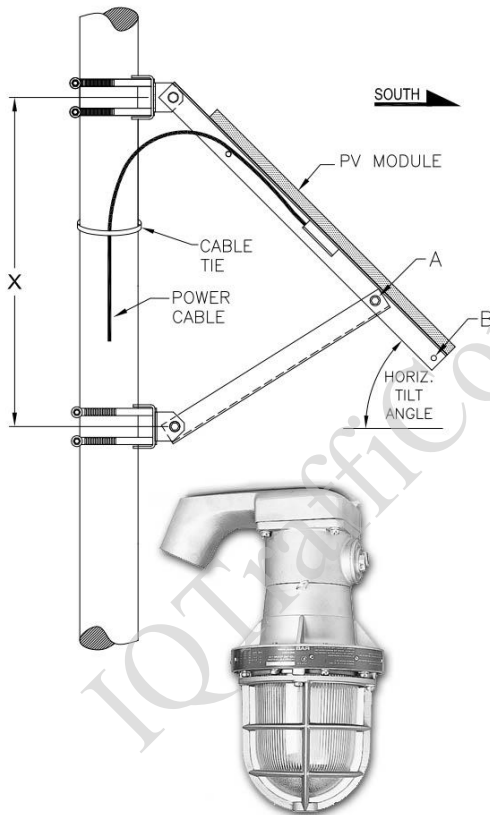
Bullet Proof Side Protected your Fixtures and Lamps

- Designed to stop small arms fire .22 to .44 calibers
- Simple one bolt installation
- Excellent stoppage from 9mm handguns, the most popular vandalism hand gun on the streets
- Will withstand most field vandalism compact, eye appealing design
- Does not interfere with routine maintenance
- Mounts on all standard pole arms



0168100 Explosion proof Light LED 400+ Super Bright LED UL Listed for Standard 844.

OkSolar.com



Construction Features Lamp compartment is factory sealed from wiring chamber, eliminating on-the-job sealing. Inspection hole provides easily accessible splice space. There is nothing to hold while splicing to line. Set screw to stem keeps fixture from turning during relamping. Three close-up plugs furnished with four whole junction box. Mounting lugs are standard. IQLED Lamp: LED 400+ Super Bright LED.

Housings: Heavy cast aluminum. Unit withstands 1490 lbs. per square inch hydrostatic pressure during UL testing

Wiring: Wiring is factory sealed. Inspection hole provides easy access to splice compartment

Globe: Impact and heat resistant clear prismatic design affords excellent light control

Finish: Silver Gray Epoxy powder coat

Reflectors: Heavy gauge aluminum with highly reflective white acrylic finish

Socket: Medium base glazed porcelain. Leads pass through sealing compound that separates lamp chamber from wiring compartment. Heavy gauge nickel plated copper components. Spring loaded center contact





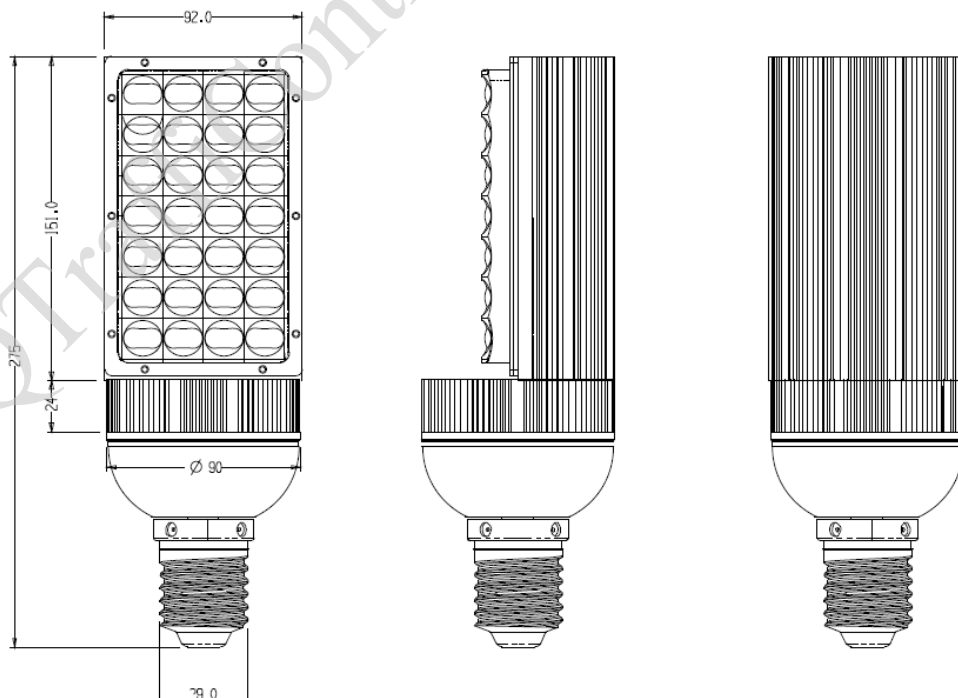


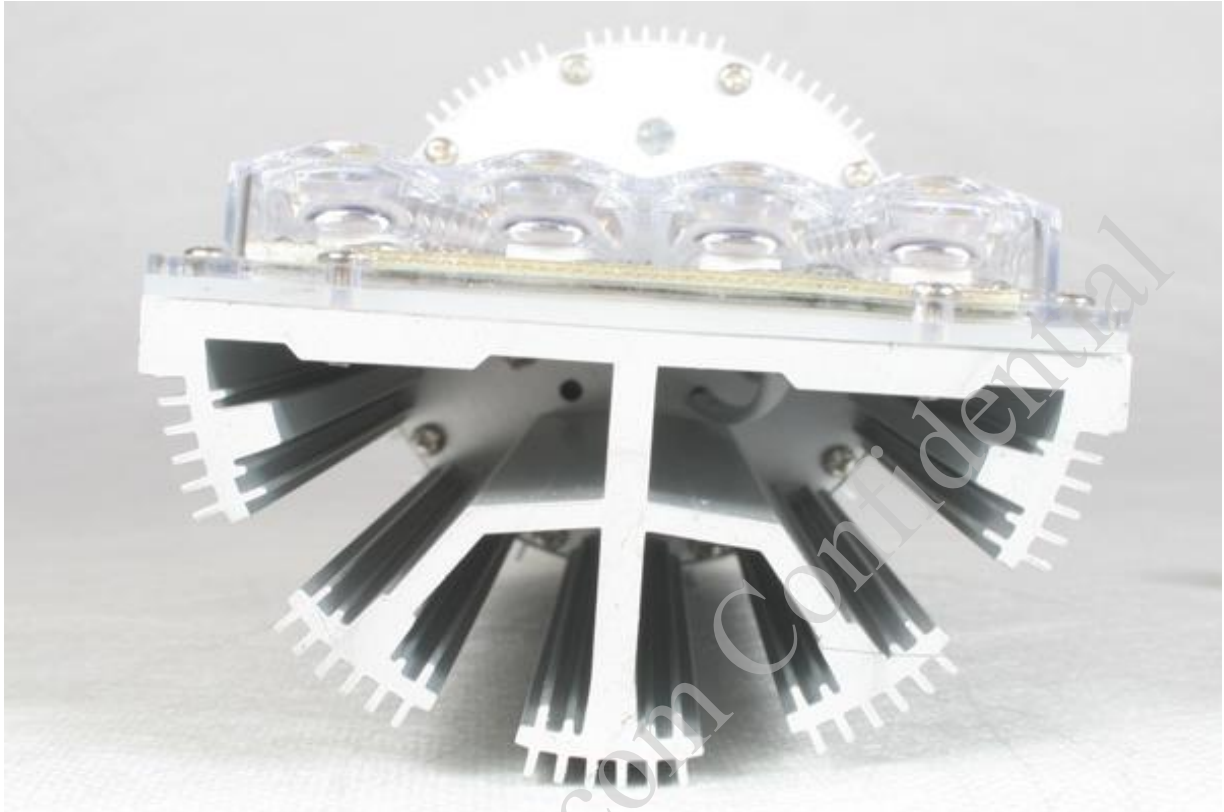


Have You Checked the IQ of your Traffic Systems?



Have You Checked the IQ of your Traffic Systems?



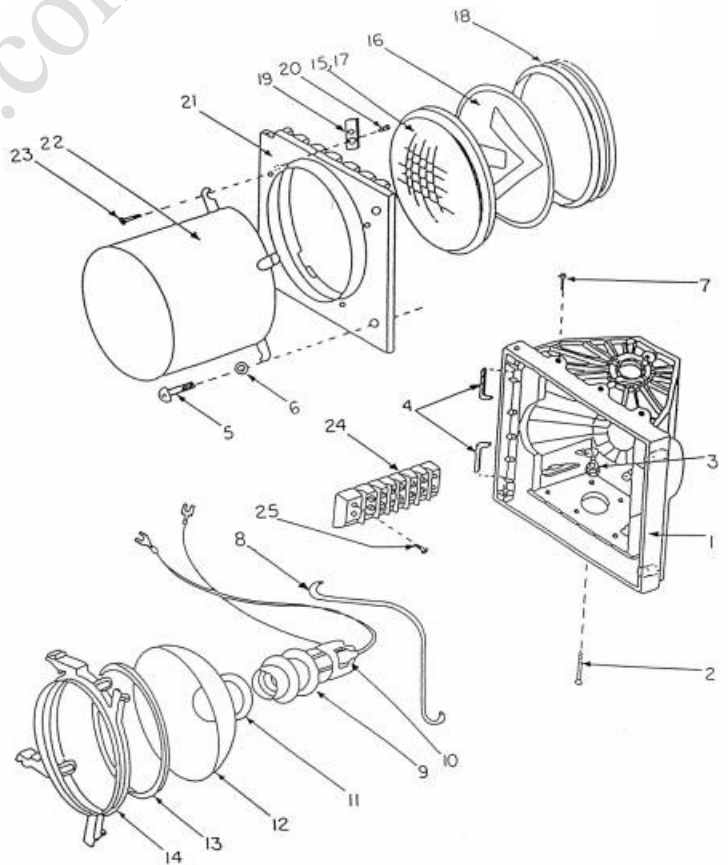
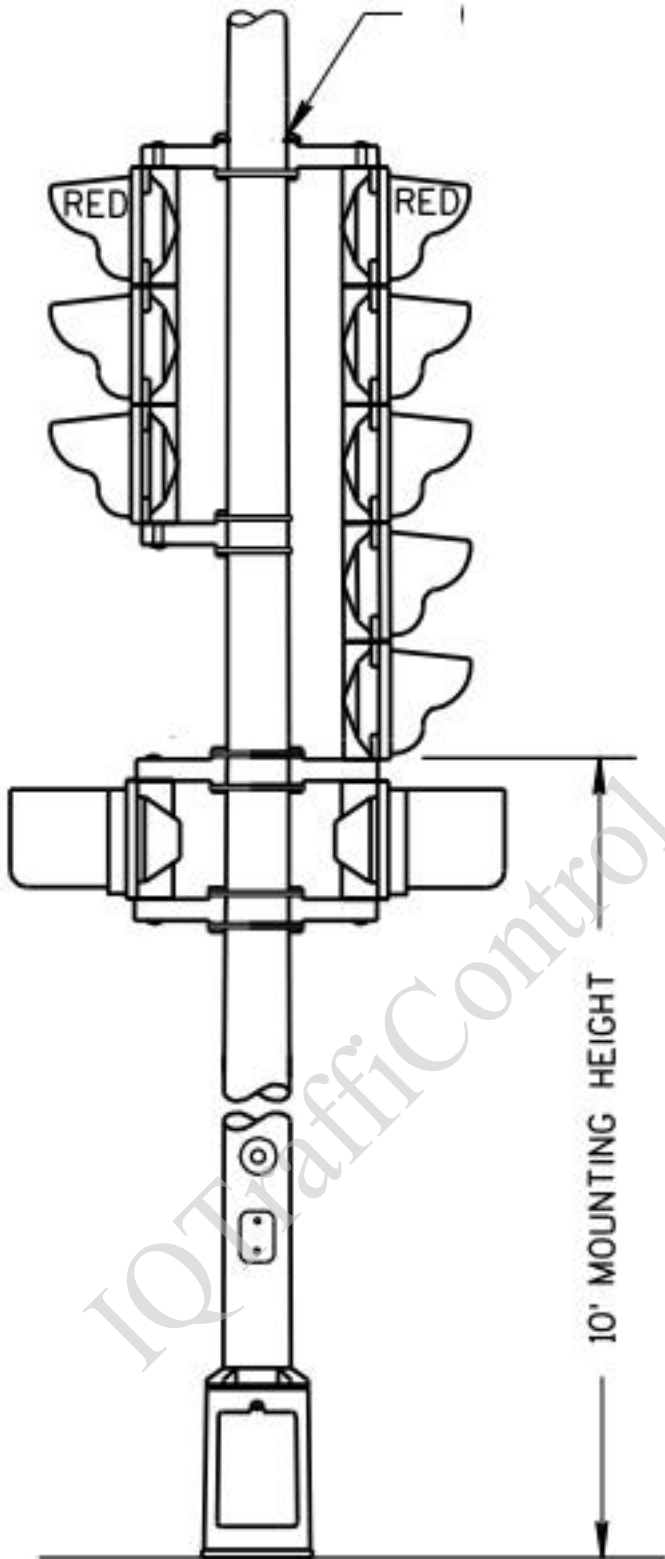




IQLED.com



IQLED.com





Ballistic Protection: Stop this from happening at once! Item#54780

- Ballistic Protection - Bullet Proof Shields
- This patented* shield incorporates leading edge technology to provide maximum ballistics resistance.
- The shield is primarily constructed of dual layer polycarbonate sheets which are UV stabilized.

Designed to stop small arms fire .22 to .44 caliber

