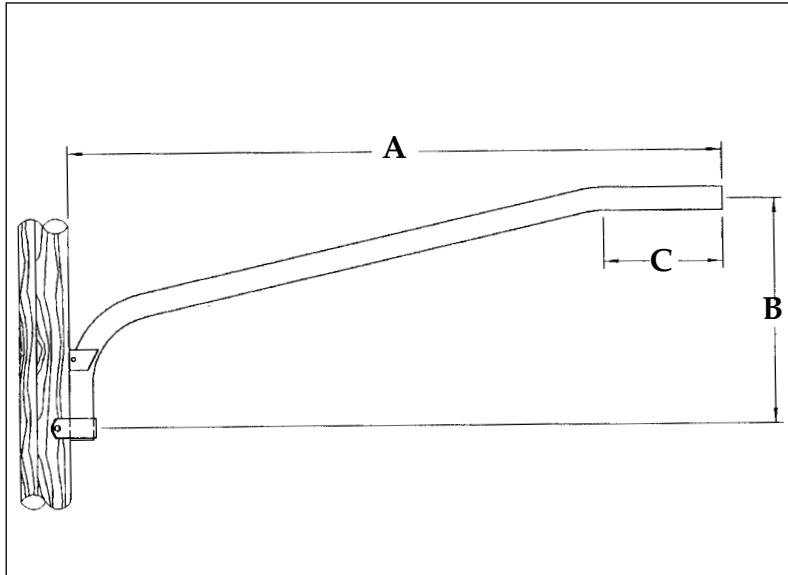
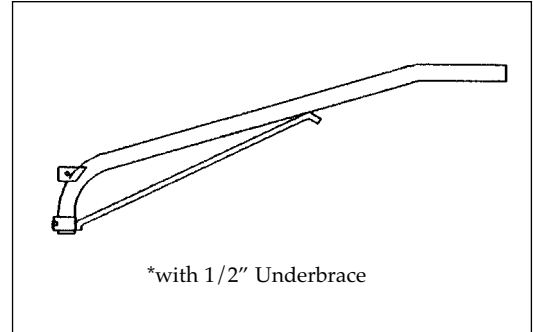


"P" SERIES - CANTILEVER STYLE BRACKET**WOOD POLE MOUNTING**

- Mounting hardware not included

**ALUMINUM**

CATALOG NO.	PIPE SIZE	NOM. LGTH.	A	B	C	WT/LBS
P125A020	1-1/4"	2'	24"	13"	8"	3
◆ P125A040	1-1/4"	4'	42"	19"	10"	4
◆ P125A060U*	1-1/4"	6'	66"	24"	12"	6
P200A020	2"	2'	24"	13"	8"	5
◆ P200A026	2"	2'-6"	30"	15"	10"	6
◆ P200A040	2"	4'	42"	19"	10"	7
◆ P200A060	2"	6'	66"	24"	12"	10
◆ P200A080	2"	8'	90"	30"	15"	12

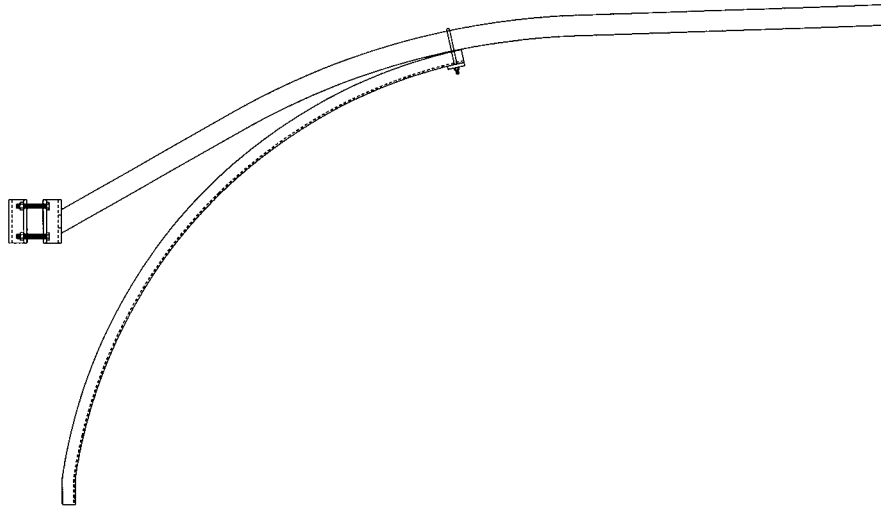
STEEL

CATALOG NO.	PIPE SIZE	NOM. LGTH.	A	B	C	WT/LBS
◆ P125S020	1-1/4"	2'	24"	13"	8"	7
◆ P125S024	1-1/4"	2'-4"	28"	13"	9"	9
◆ P125S026	1-1/4"	2'-6"	30"	15"	10"	9
◆ P125S040	1-1/4"	4'	42"	19"	10"	11
◆ P125S060	1-1/4"	6'	66"	24"	12"	15
◆ P125S080	1-1/4"	8'	90"	30"	15"	20
P200S020	2"	2'	24"	13"	8"	14
◆ P200S026	2"	2'-6"	30"	15"	10"	15
◆ P200S040	2"	4'	42"	19"	10"	18
◆ P200S060	2"	6'	66"	24"	12"	24
◆ P200S080	2"	8'	90"	30"	15"	30

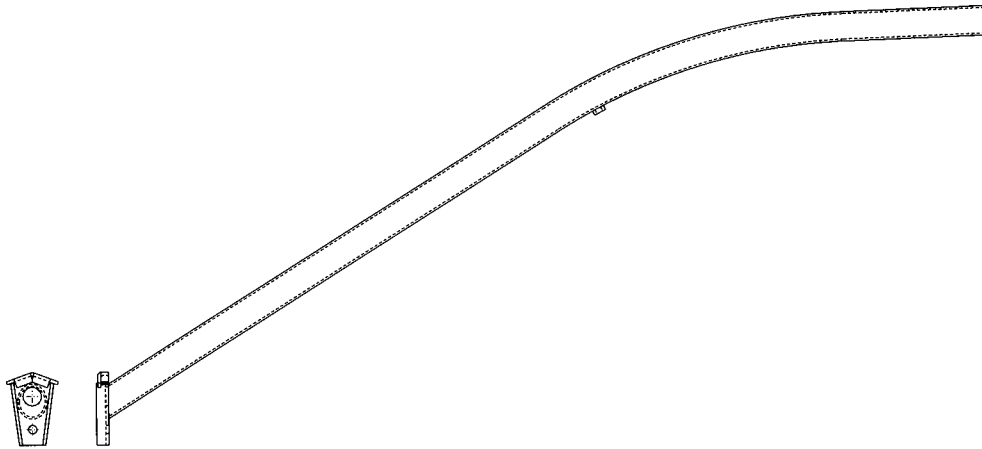
◆ indicates stock item (in limited quantity)

UPSWEEP WRAP BRACKETS WITH UNDERBRACE

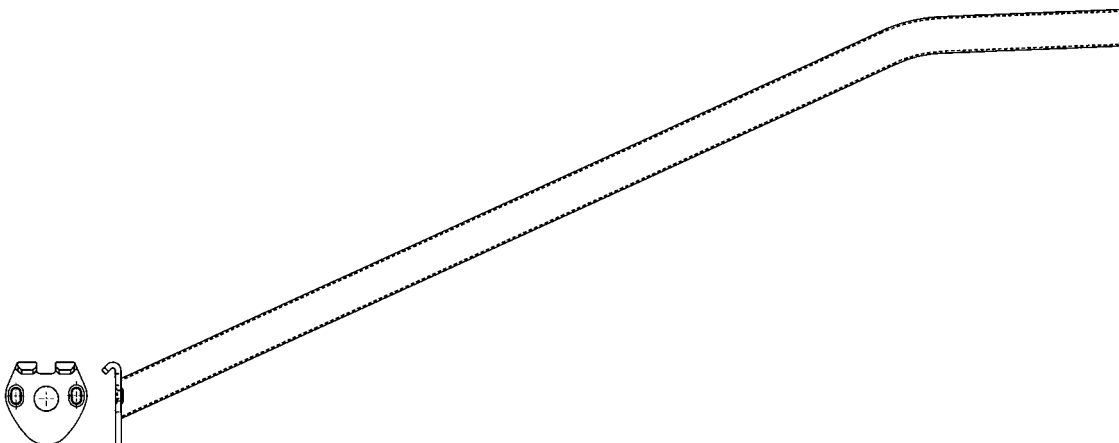
FOR ROUND POLES



UPSWEEP BRACKETS WITH SINGLE BOLT SIMPLEX

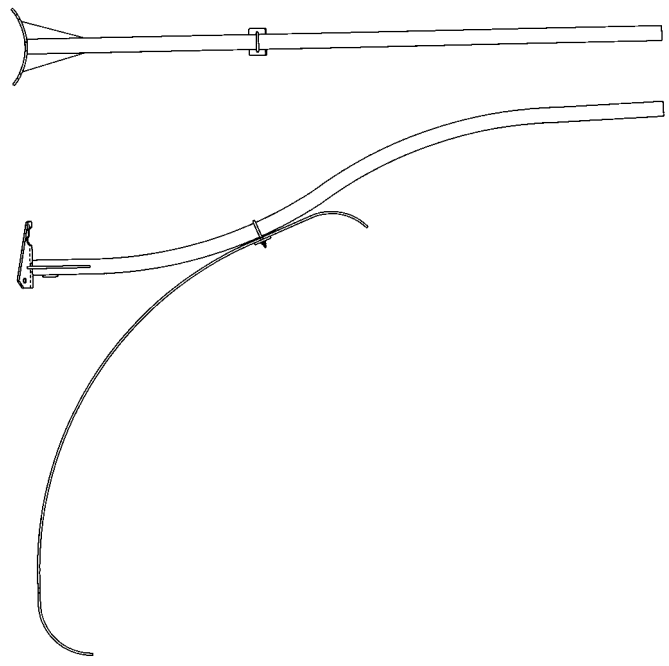


CANTILEVER ARMS W/ 2-BOLT SIMPLEX BRACKET

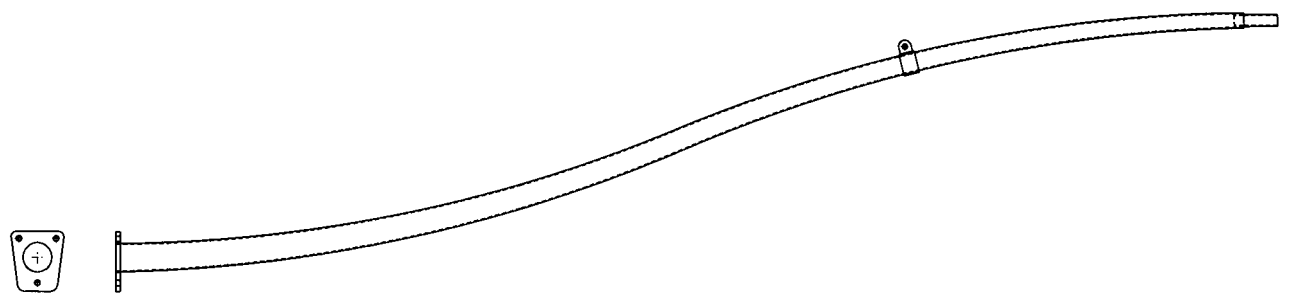


DECORATIVE DOUBLE CURVE BRACKETS

FOR WOOD POLES

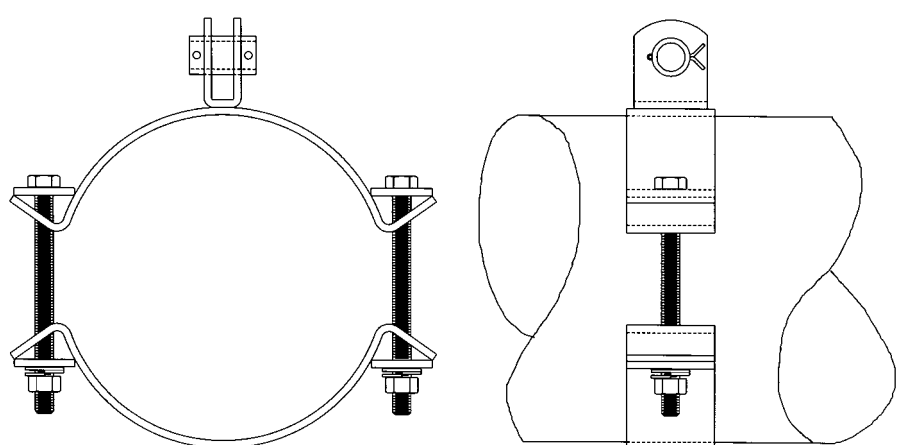


STEEL TAPERED ARMS



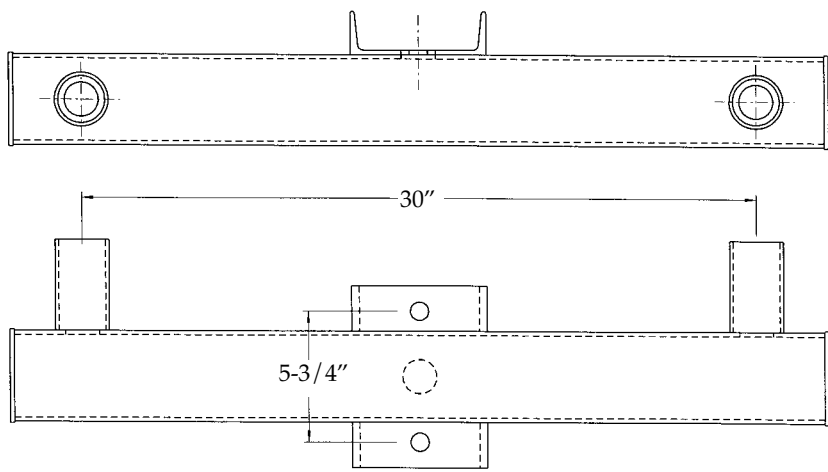
SPAN WIRE CLAMPS

FOR ROUND POLES

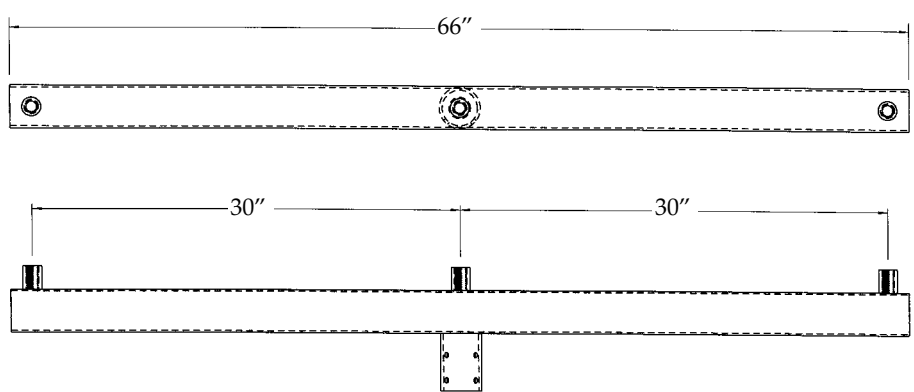


ROUND SQUARE ROUND BRACKETS

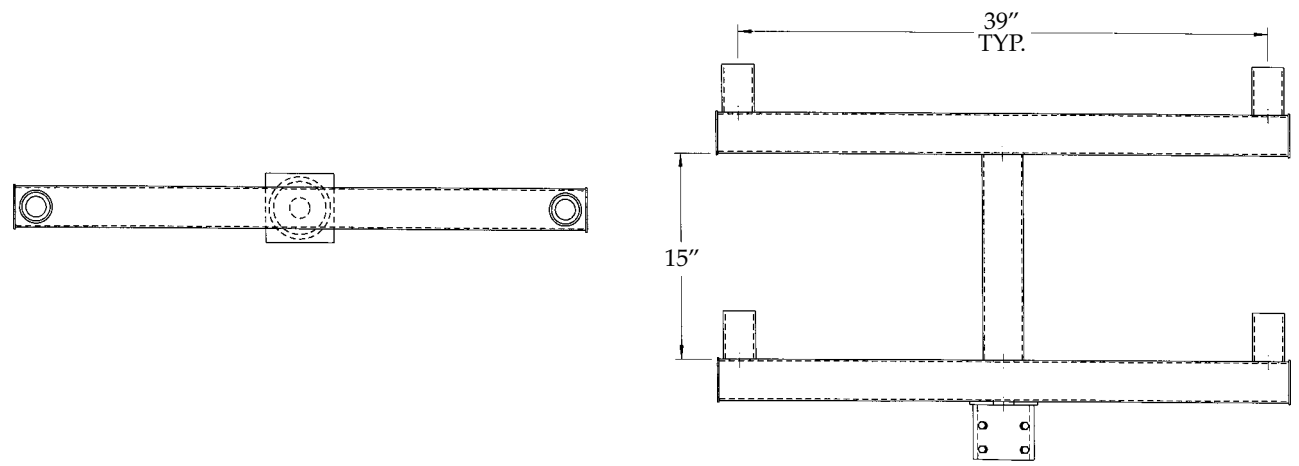
FOR CONCRETE POLES



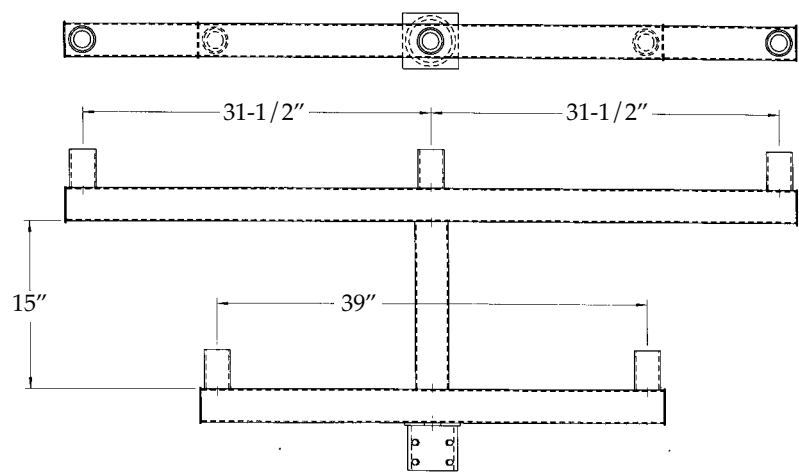
ROUND SQUARE ROUND BRACKETS W/ COUPLINGS



ROUND SQUARE ROUND RACK - FOUR FIXTURE

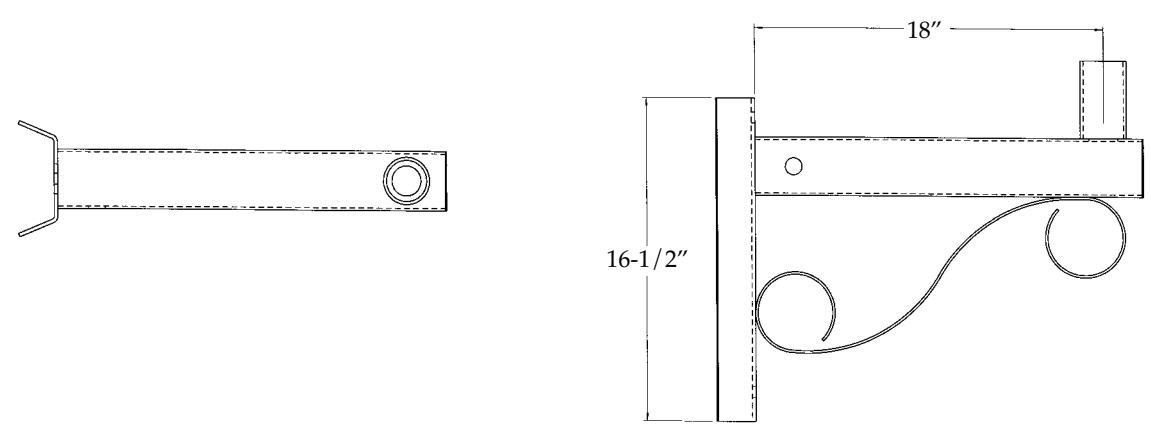


ROUND SQUARE ROUND RACK – FIVE FIXTURE

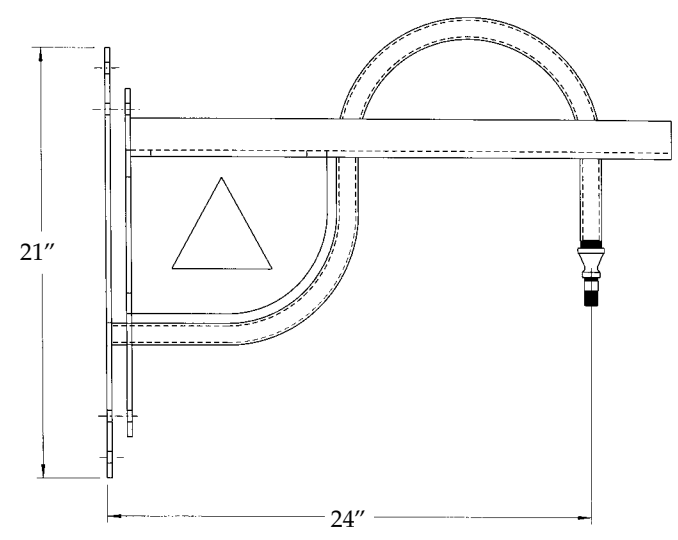


SQUARE SIDE MOUNT BRACKETS WITH SCROLL

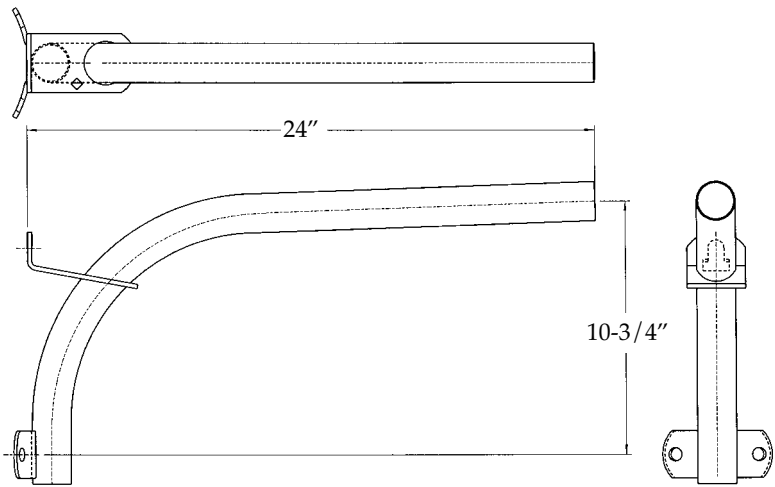
FOR ROUND POLES



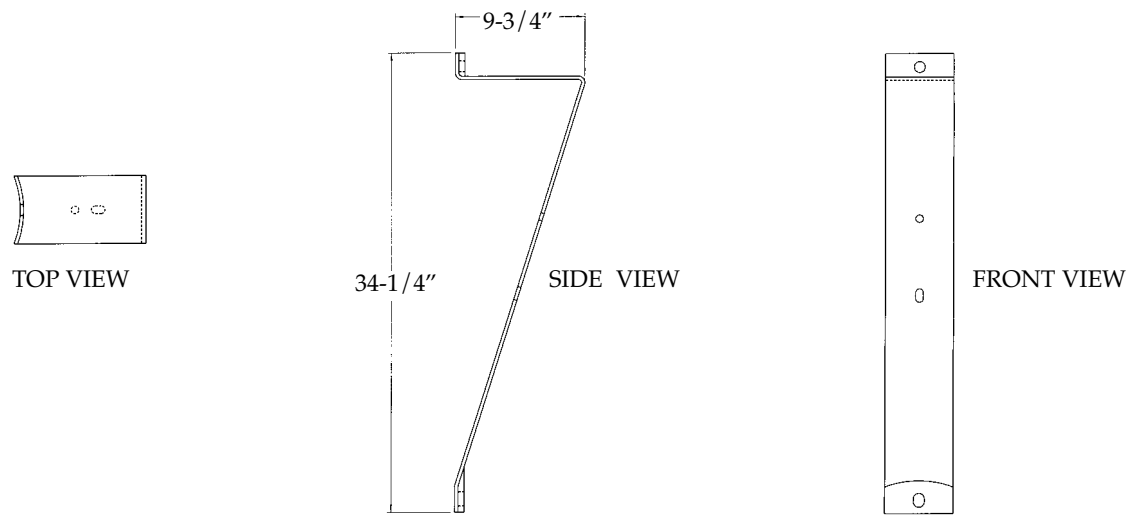
DECORATIVE WALL MOUNT BRACKETS



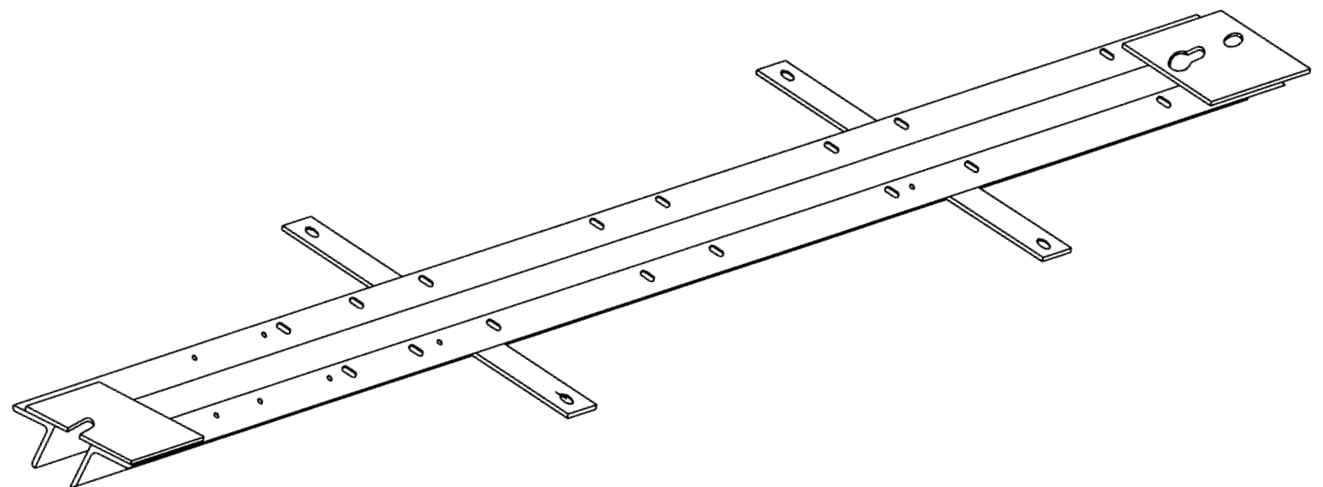
WOOD POLE MOUNTING BRACKETS



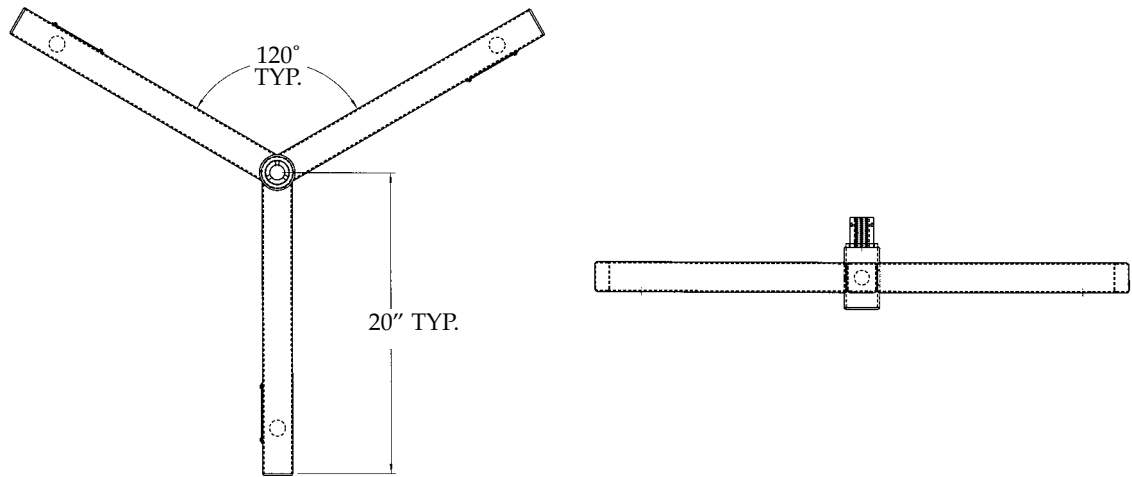
VERTICAL MOUNTING BRACKETS



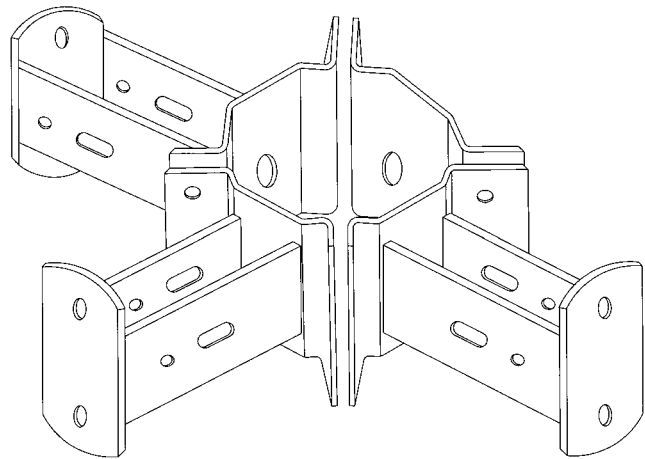
ALUMINUM VERTICAL BRACKETS



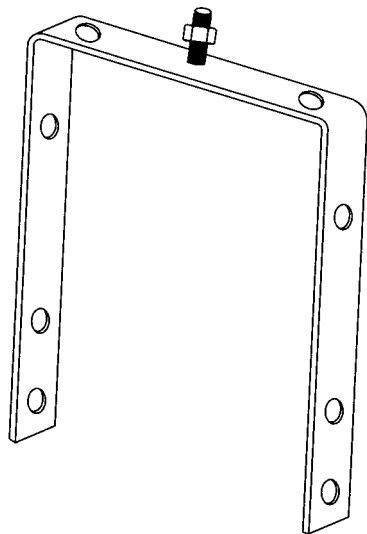
ROUND SQUARE TENON BRACKETS



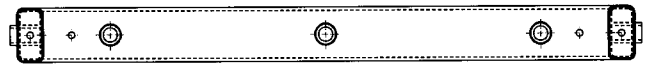
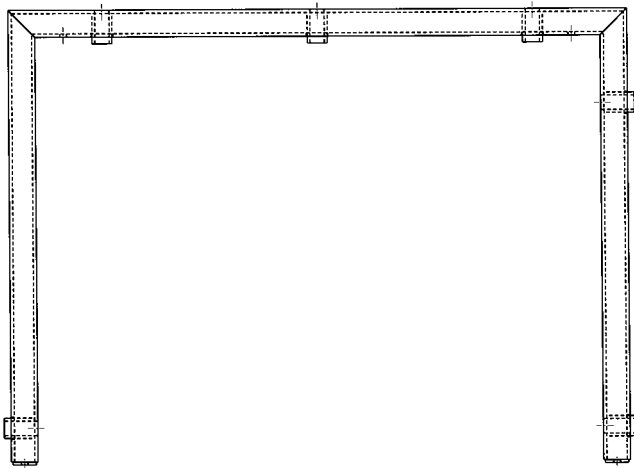
TRANSFORMER MOUNTING BRACKETS



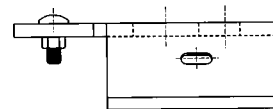
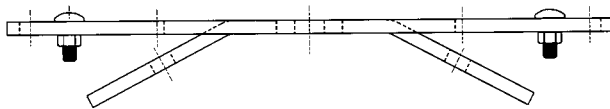
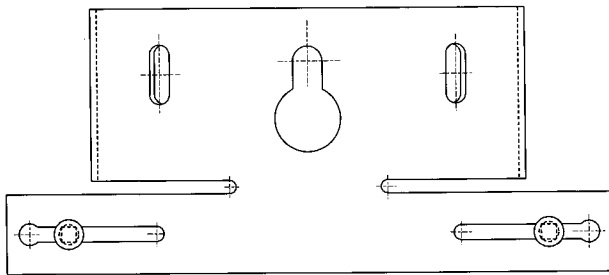
CONDUIT STAND OFF BRACKETS



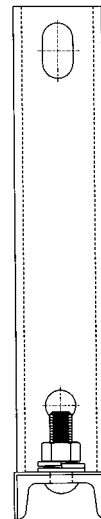
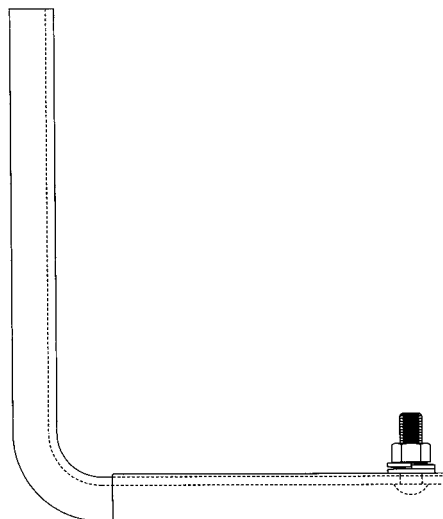
MOUNTING YOKES FOR SPEAKERS



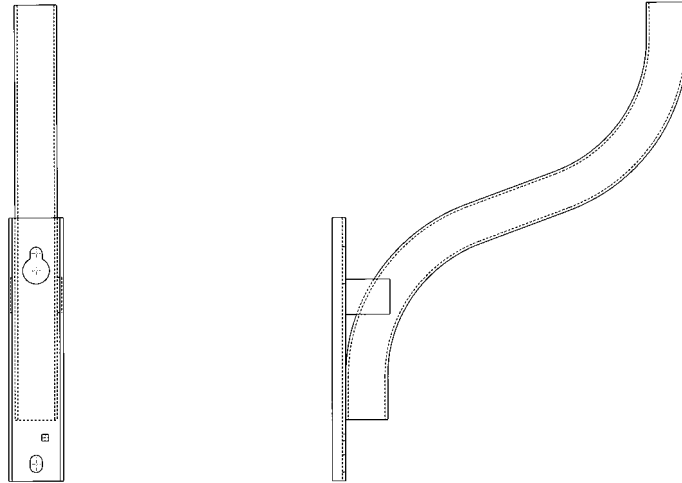
ALUMINUM BRACKETS



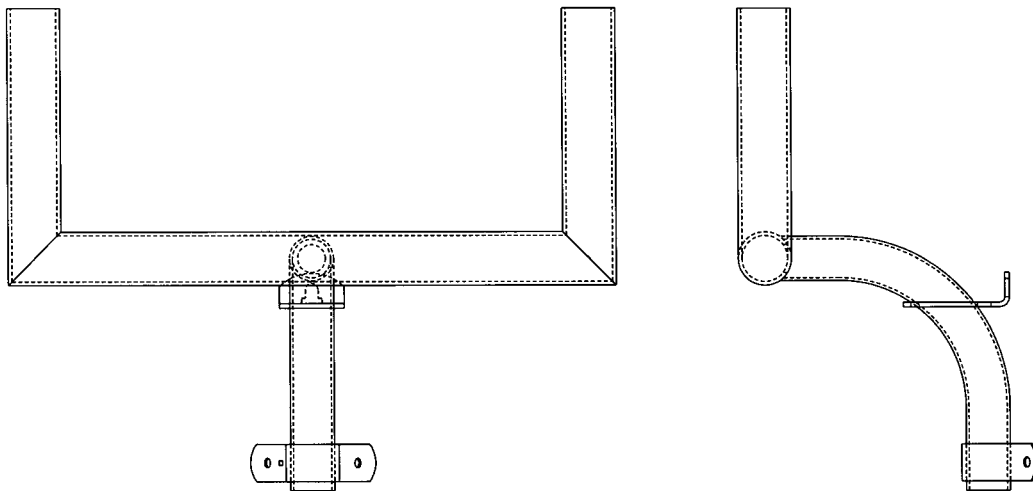
CUTOUT / ARRESTOR BRACKETS



SINGLE FLOOD BRACKETS W/ UNIVERSAL BASE

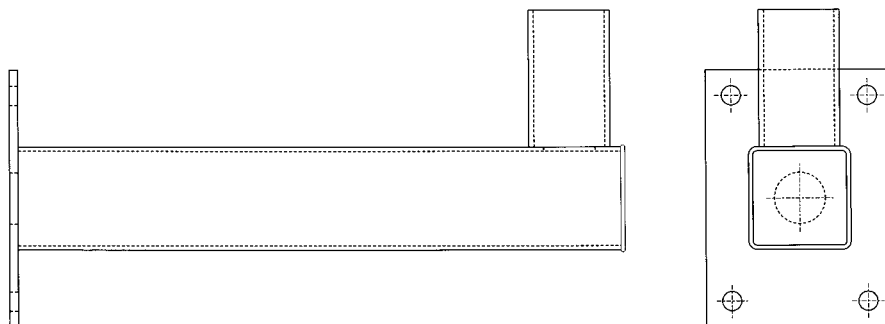


DOUBLE FLOOD BRACKETS W/ 2-7/8" OD TENONS FOR WOOD POLES

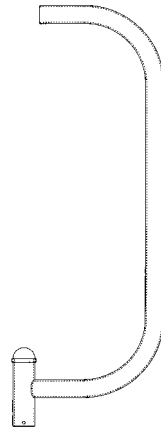


SIDE MOUNT BRACKETS

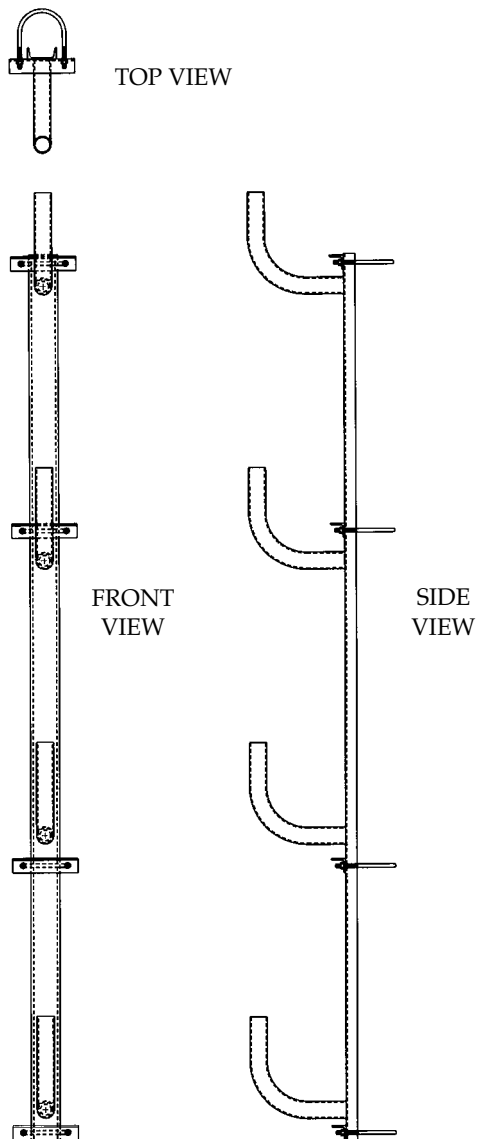
FOR SQUARE POLES OR WALL MOUNTING



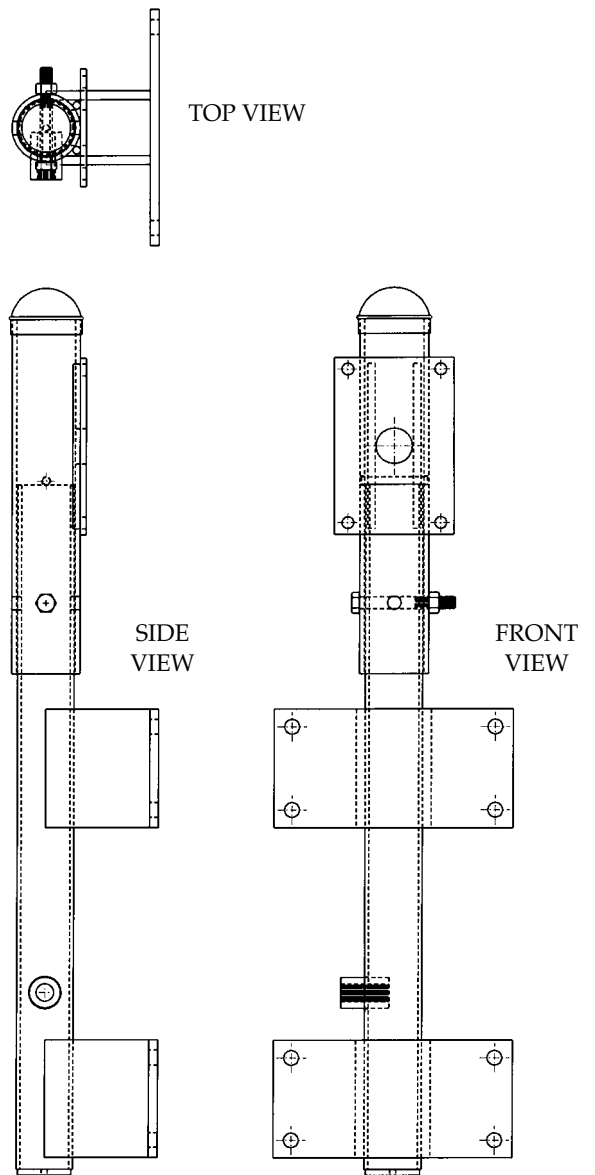
TENON MOUNT BRACKETS



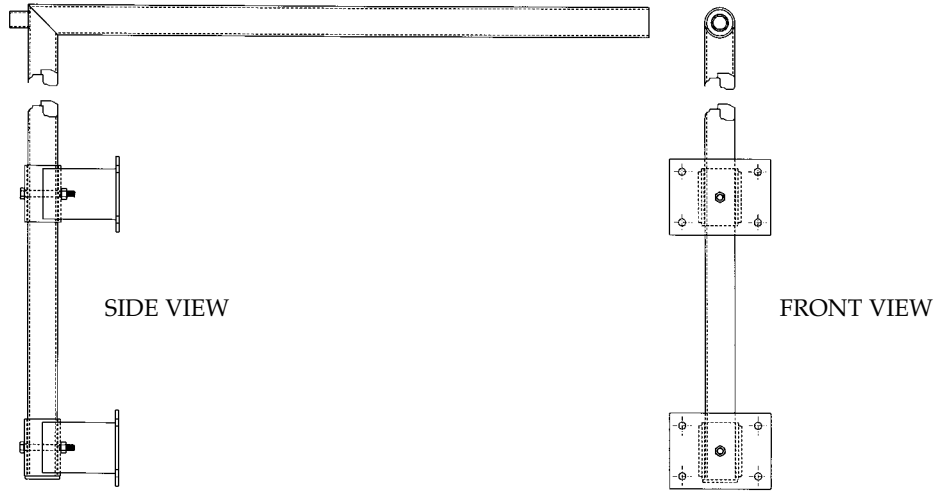
U-BOLT MOUNTING BRACKETS



SWIVEL WALL MOUNT BRACKETS

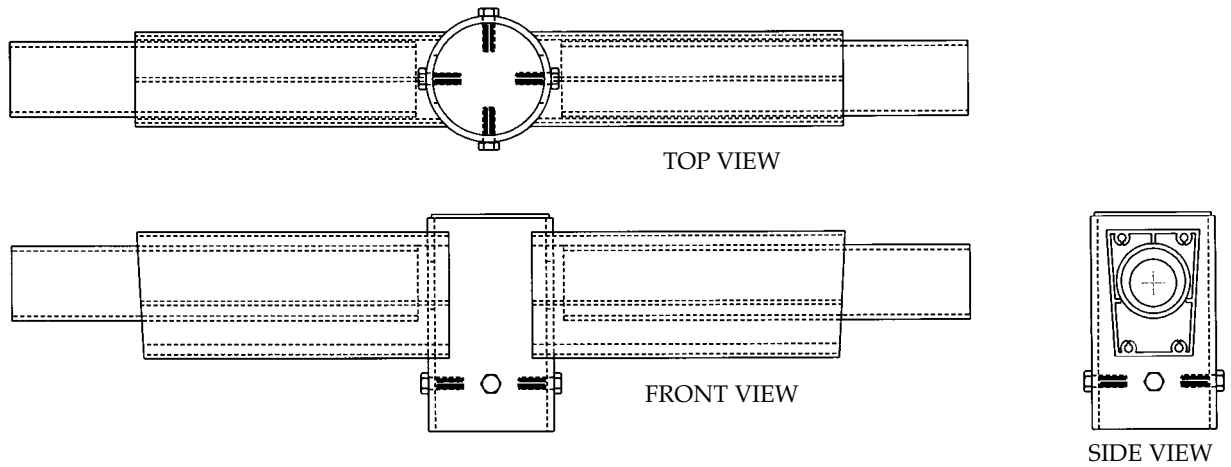


RIGHT ANGLE SWIVEL ARM BRACKETS

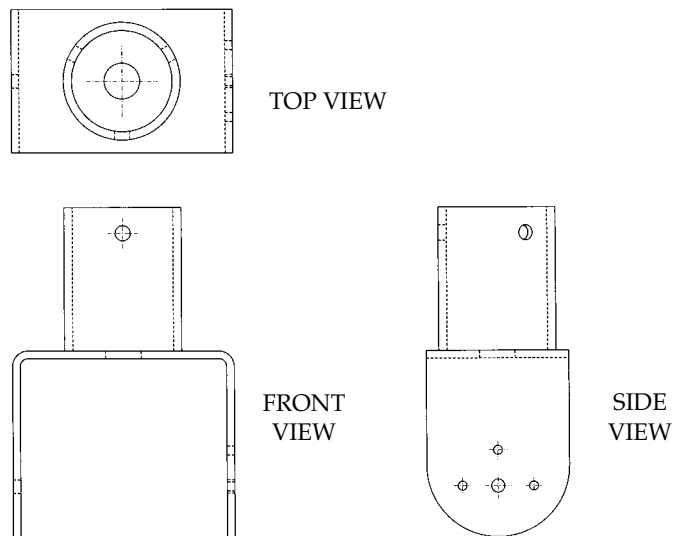


ALUMINUM MOUNT BRACKETS

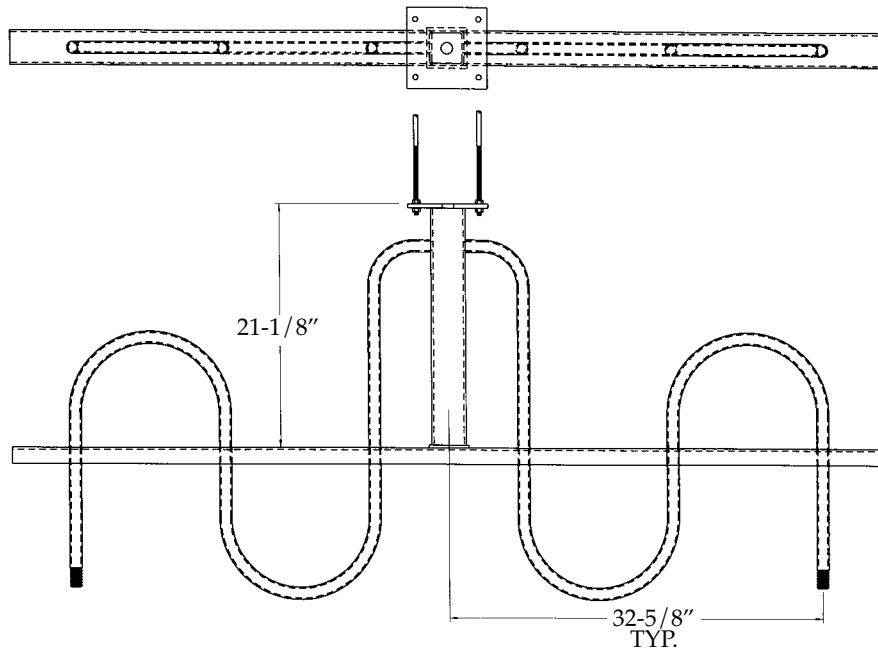
SINGLE OR DOUBLE ARM



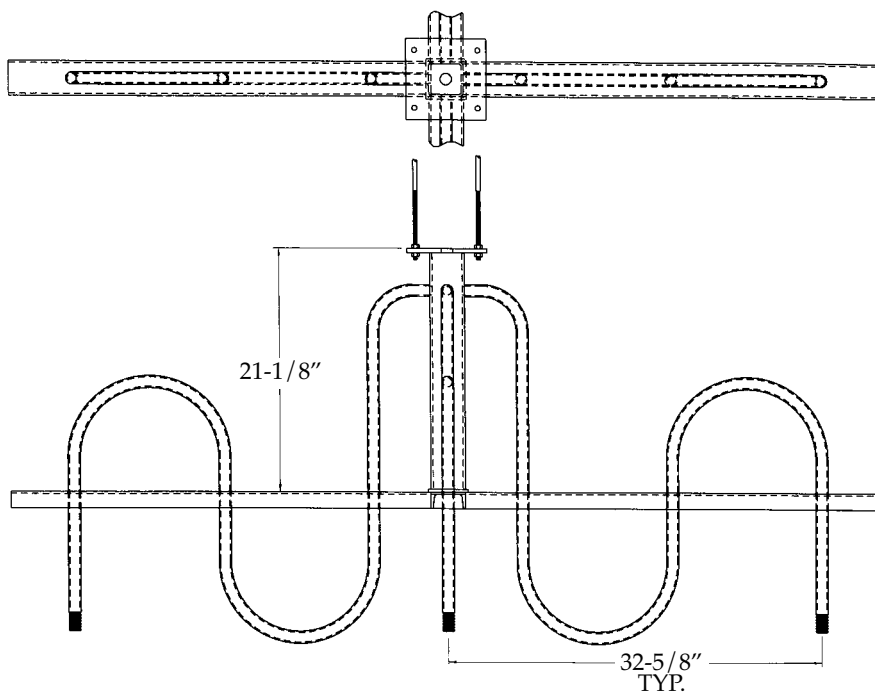
SWIVEL WALL MOUNT BRACKETS



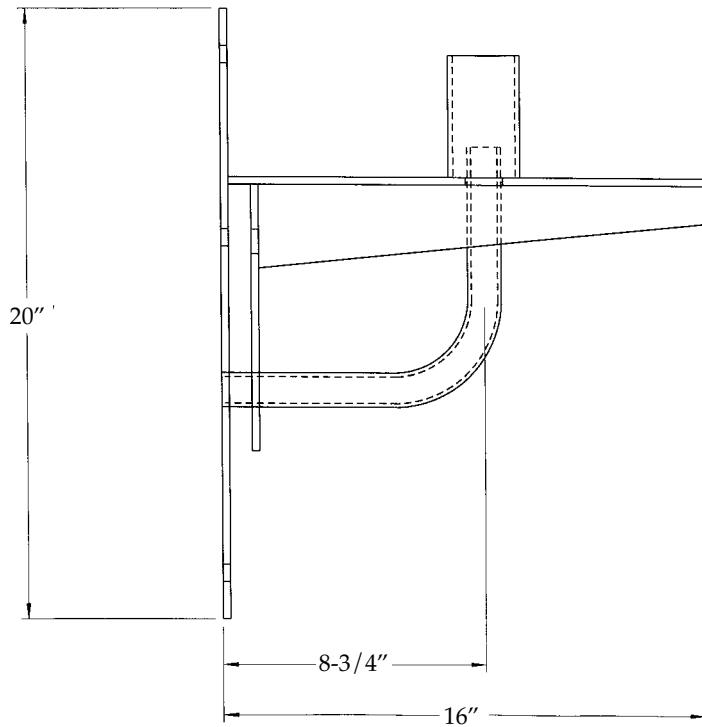
CHANDELIER BRACKET - TWO LIGHT



CHANDELIER BRACKET - FOUR LIGHT

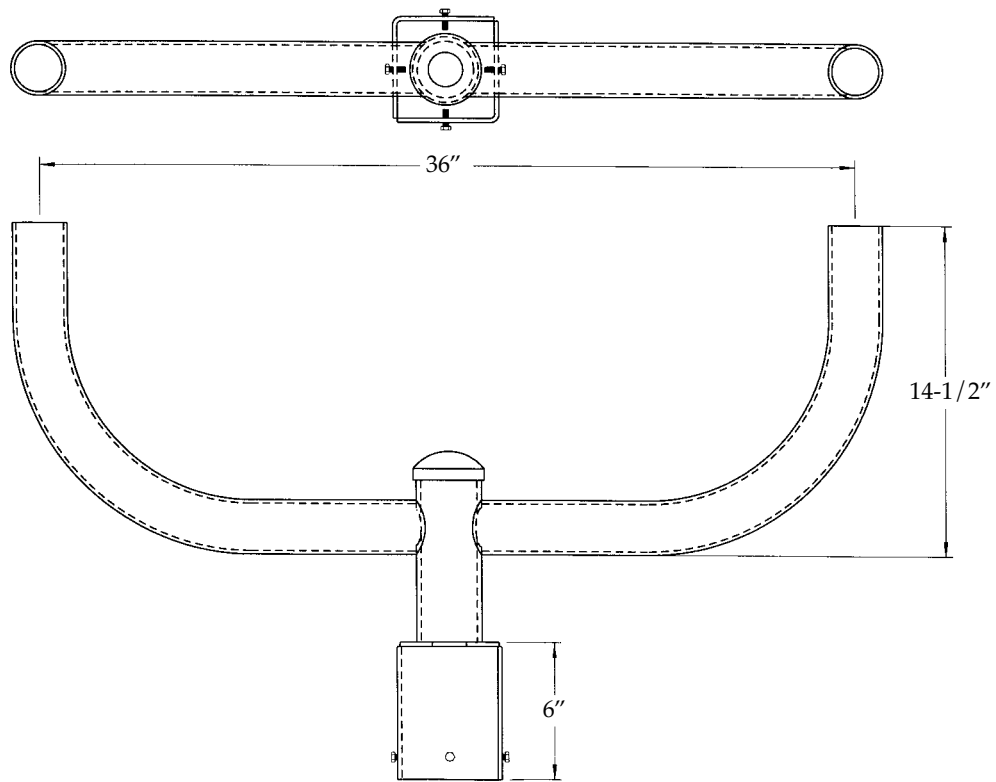


DECORATIVE FLOOD LIGHT BRACKETS

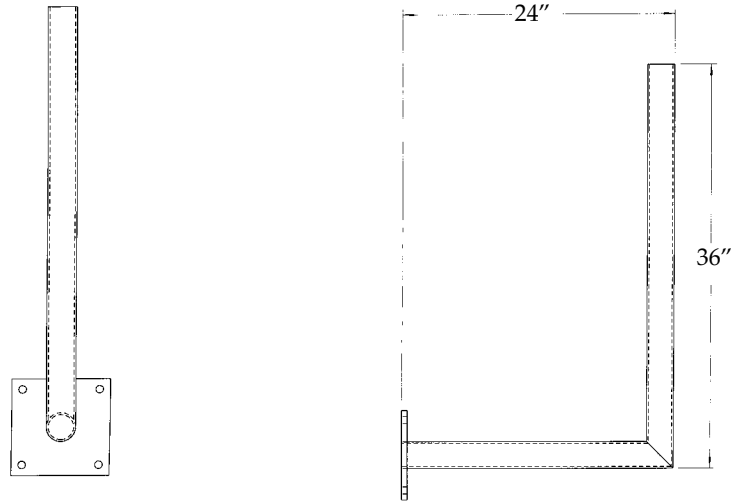


BULLHORN BRACKETS

FOR SQUARE CONCRETE POLES

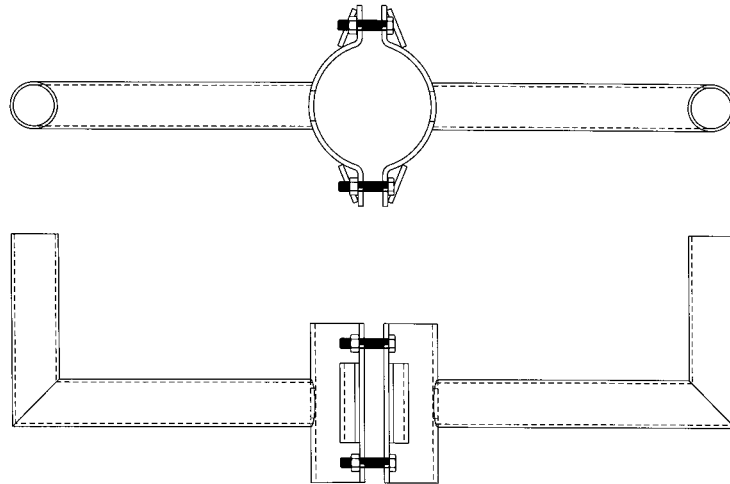


RIGHT ANGLE BRACKETS



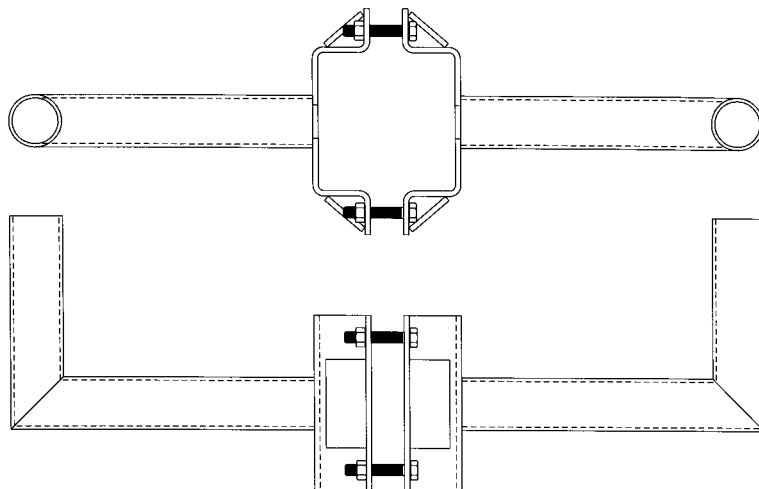
RIGHT ANGLE BRACKETS

FOR ROUND POLES

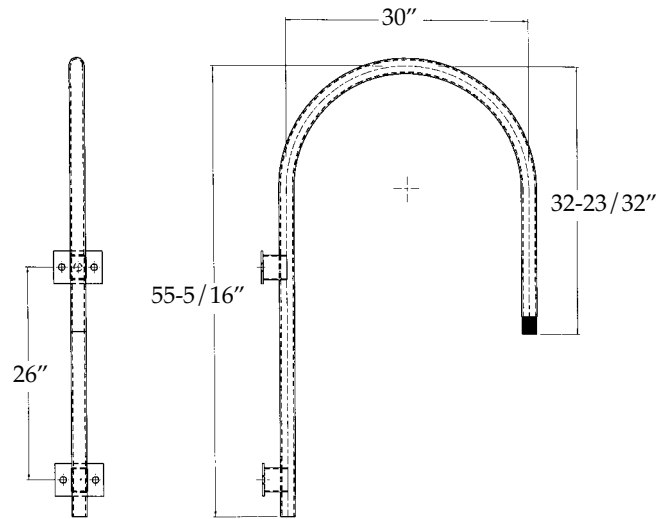


RIGHT ANGLE BRACKETS

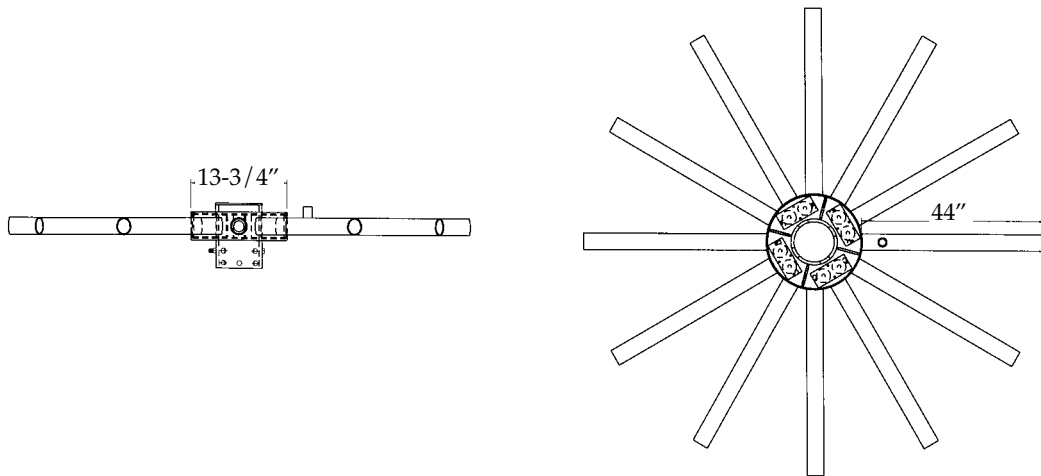
FOR SQUARE POLES



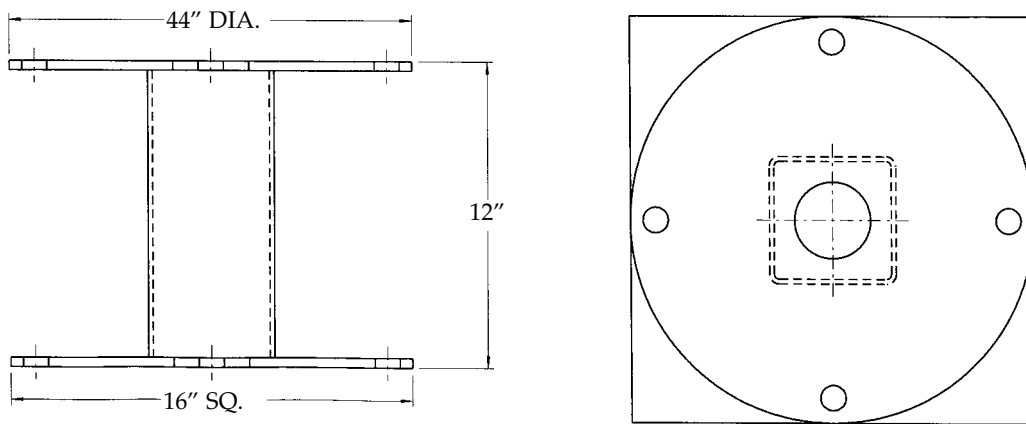
SINGLE BISHOP'S CROOK BRACKETS



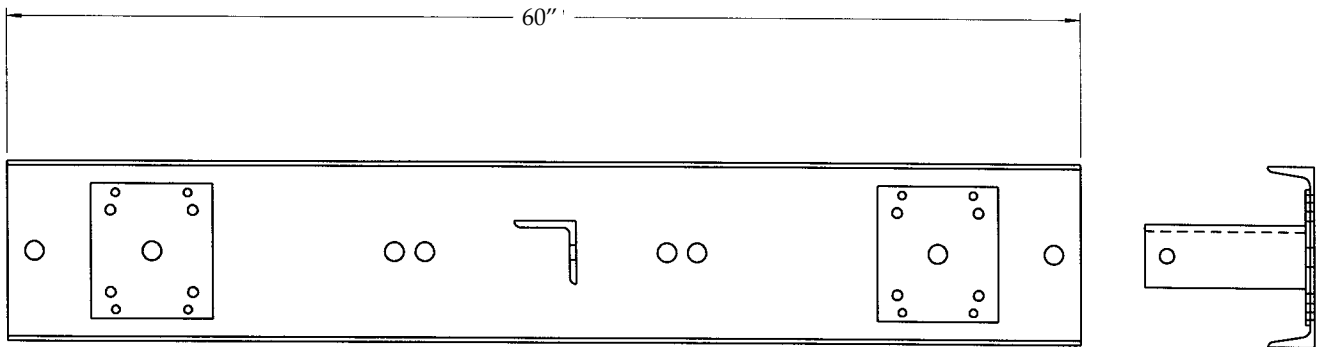
MULTI-ARM SPOKE BRACKETS



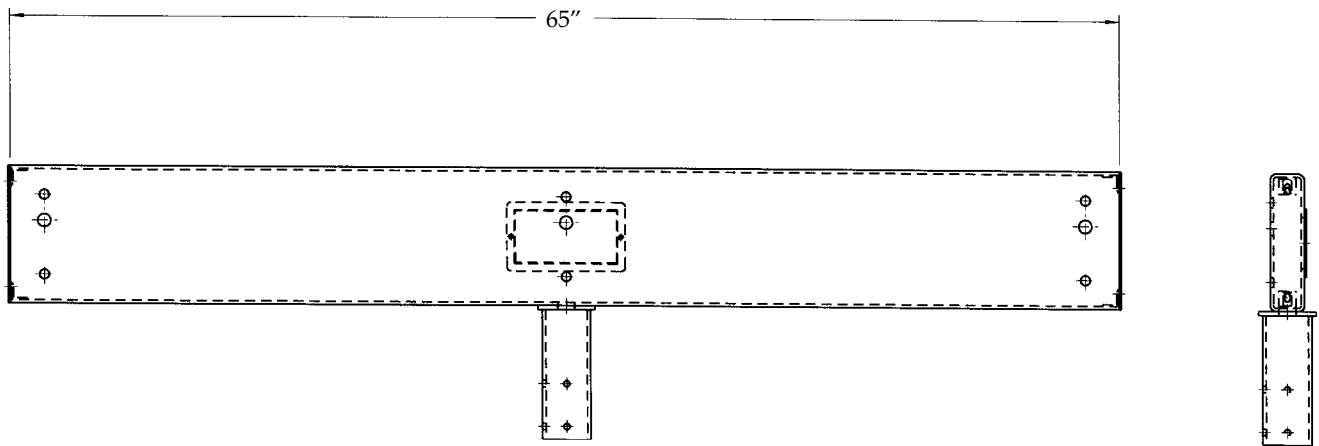
BASE EXTENDERS



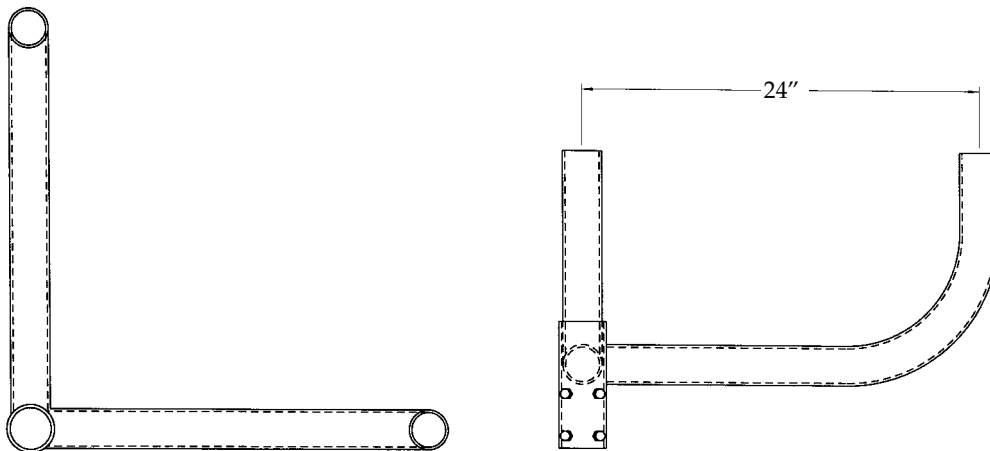
SPECIAL MOUNTING CHANNELS



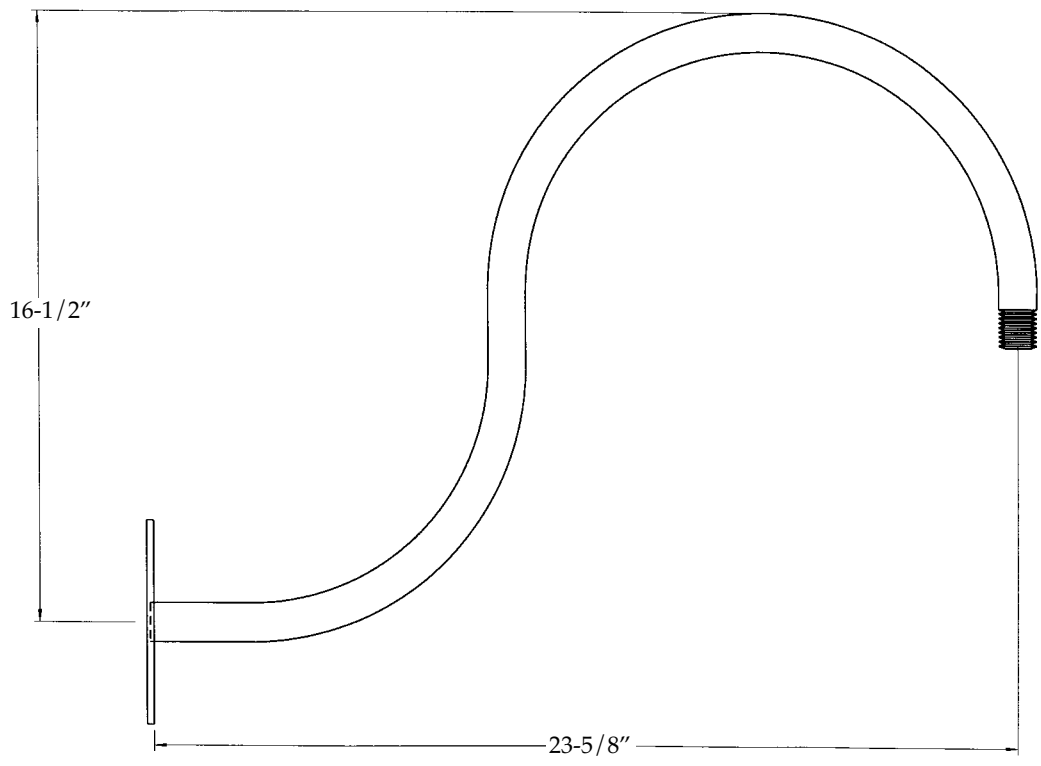
SPECIAL 3 LIGHT TENON MOUNT BRACKET



2 @ 90° BULLHORN BRACKET

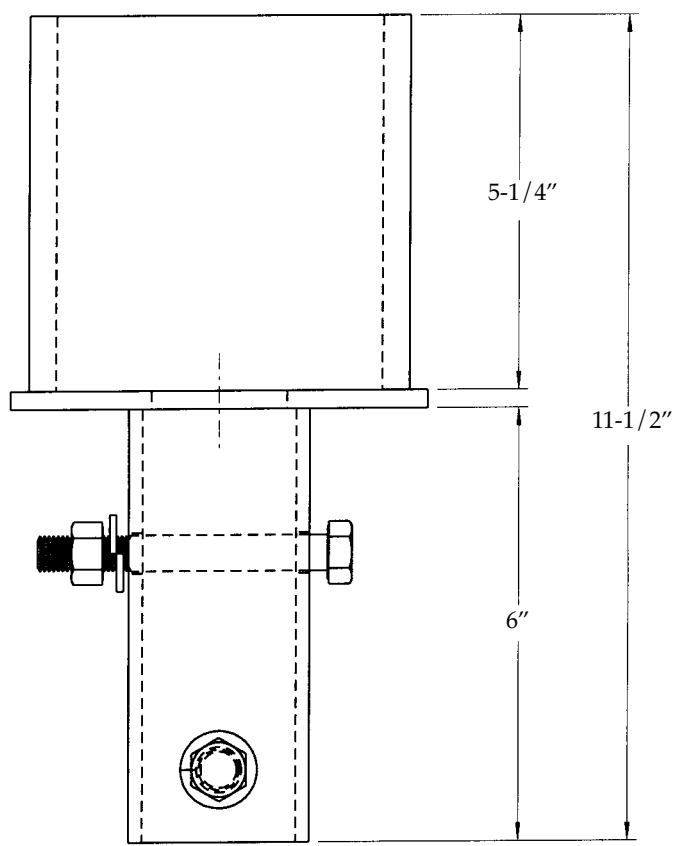
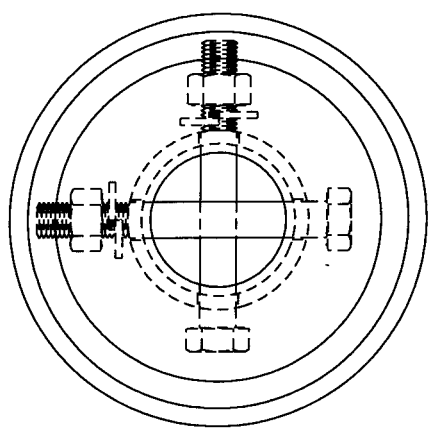


GOOSENECK BRACKETS



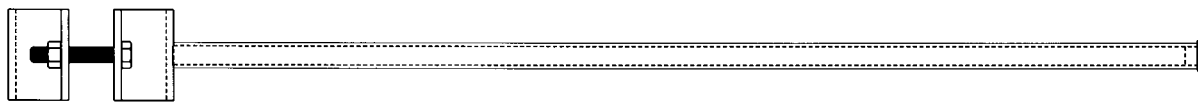
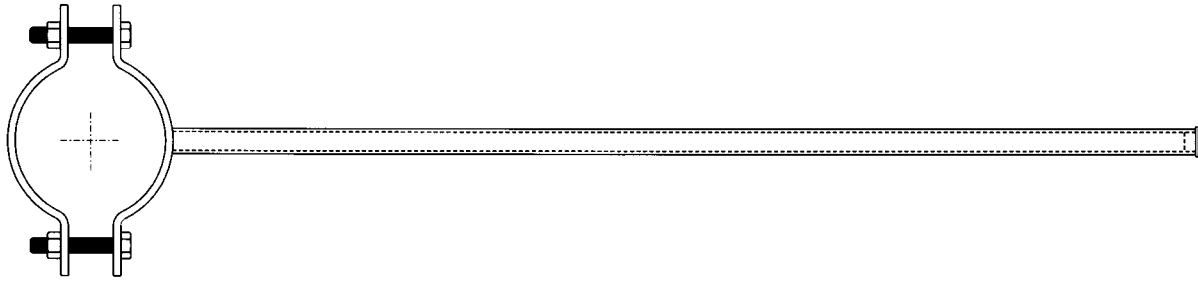
SPECIAL TENON ADAPTERS

FOR SQUARE AND ROUND POLES

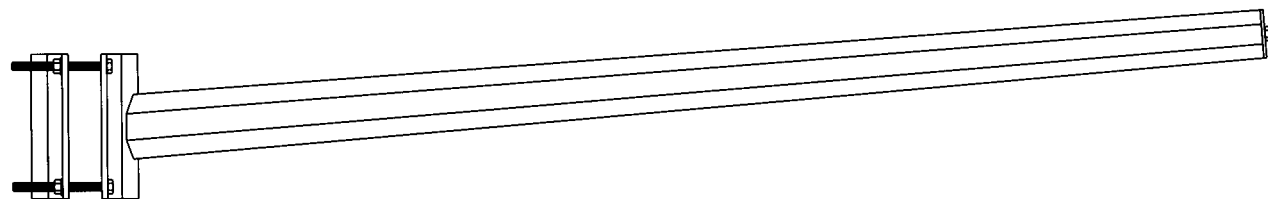
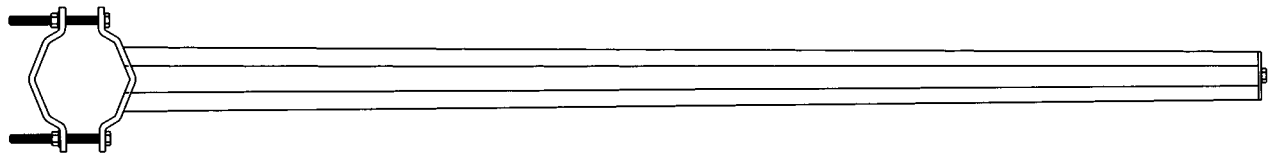


BANNER BRACKETS

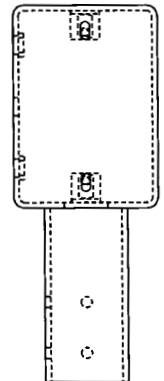
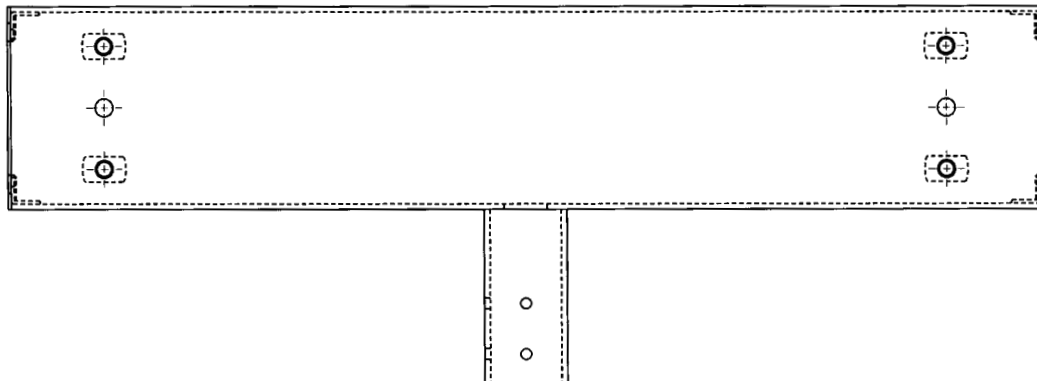
FOR SQUARE OR ROUND POLES



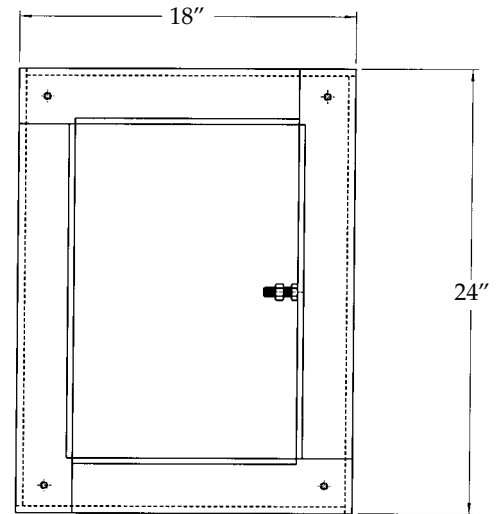
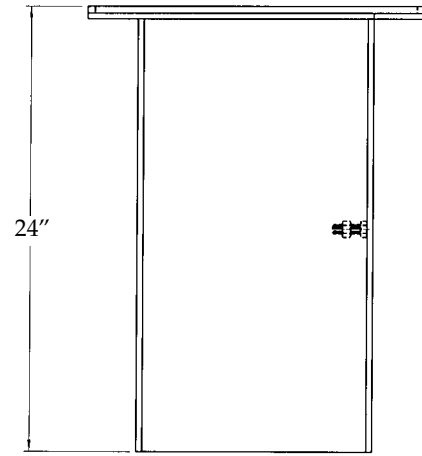
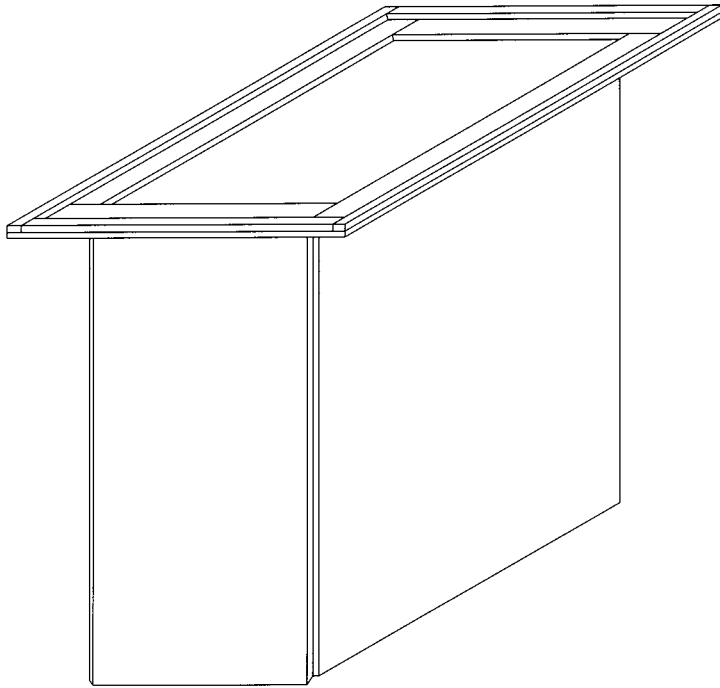
OCTAGONAL ARMS



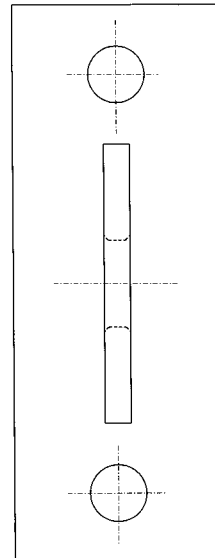
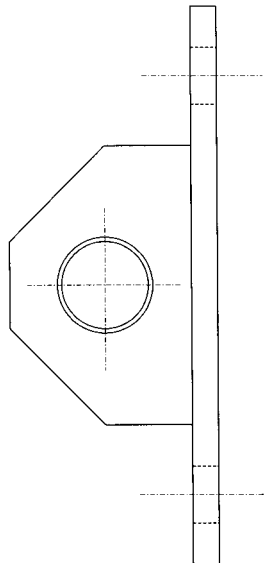
TENON MOUNT BRACKETS



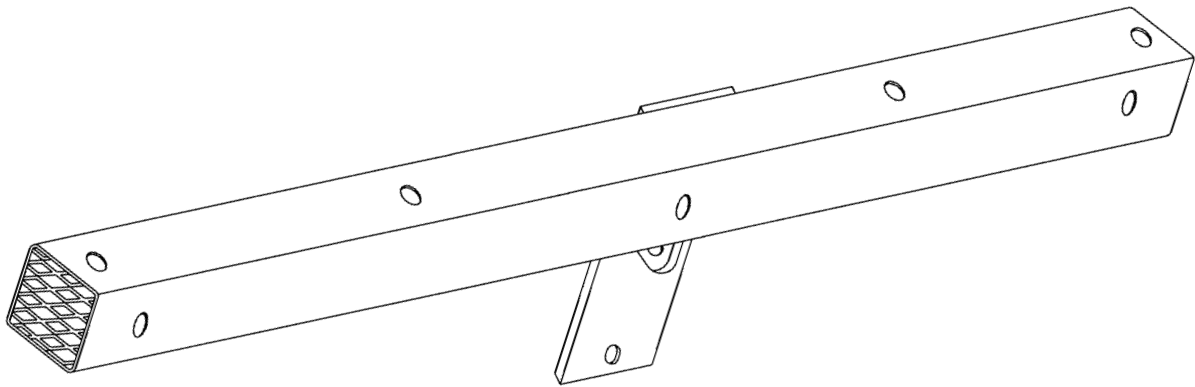
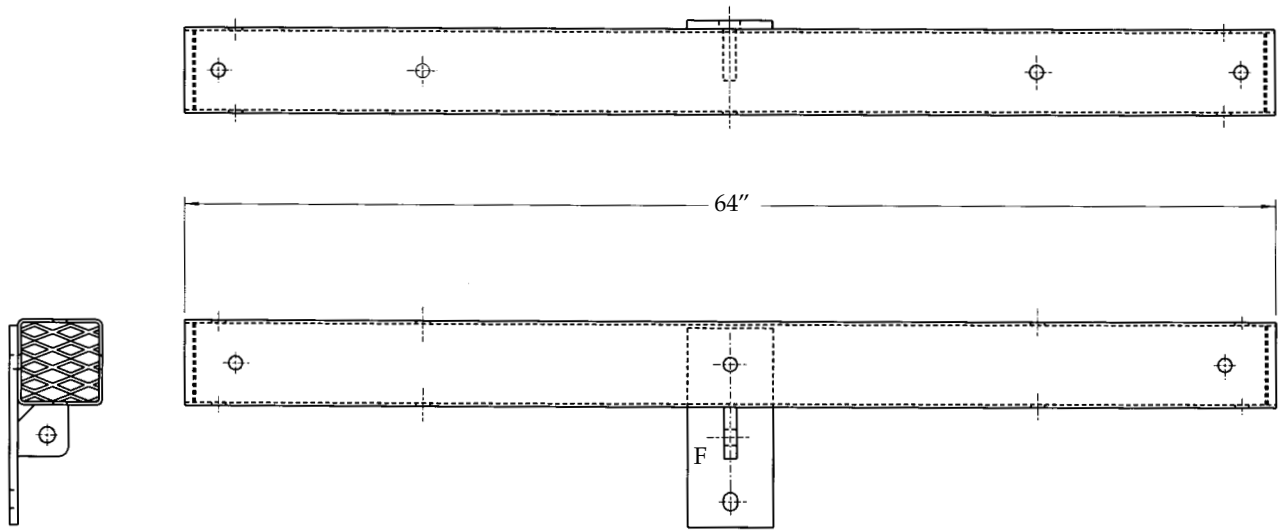
JUNCTION BOXES



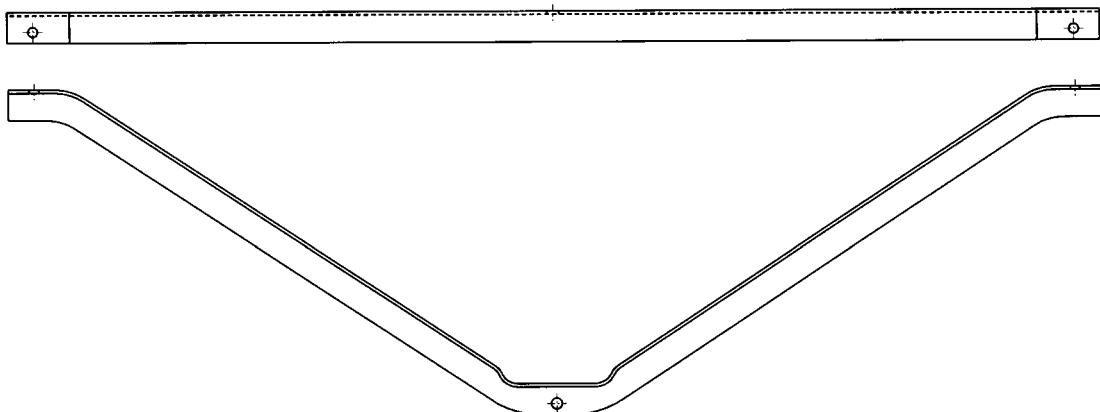
DEAD END TEES



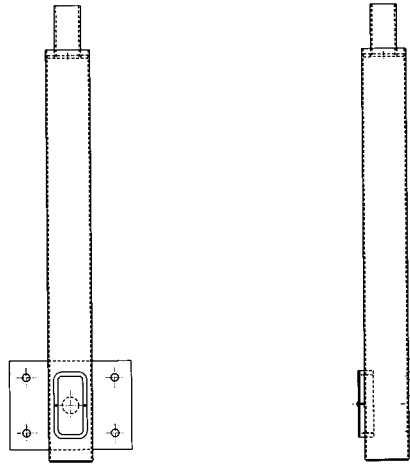
DISTRIBUTION CROSSARMS



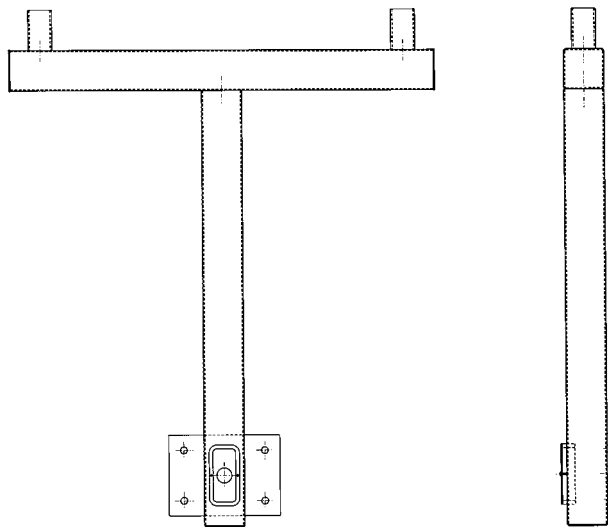
CROSSARM ANGLE BRACKET



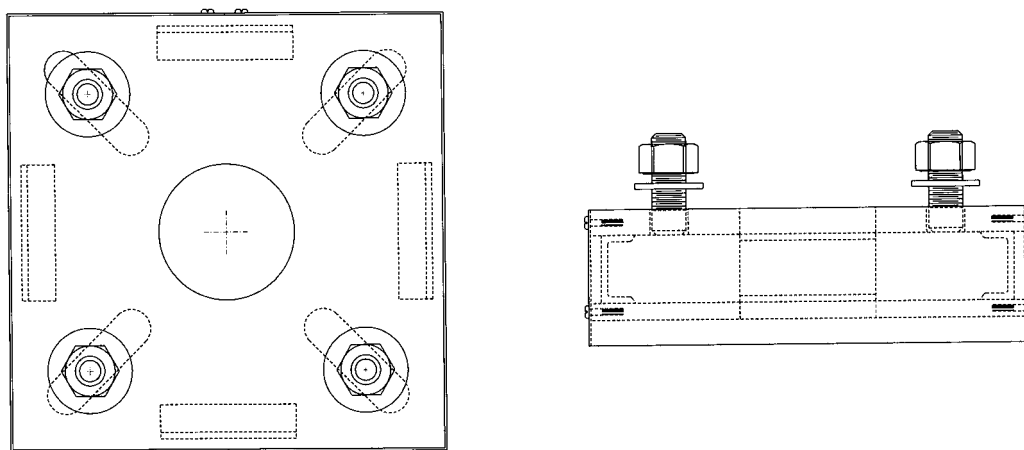
SINGLE TENON WALL MOUNT POLES



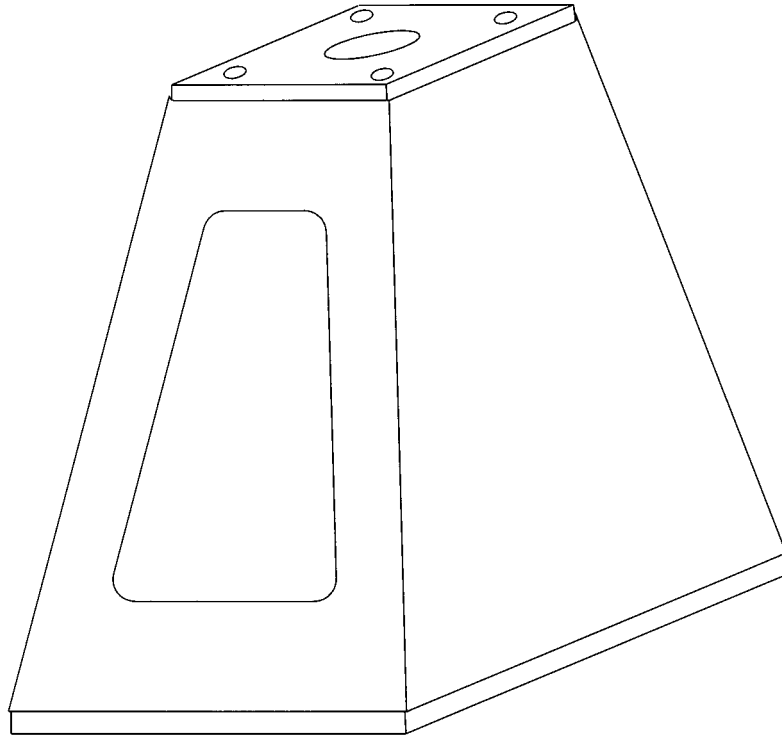
DOUBLE TENON WALL MOUNT POLES



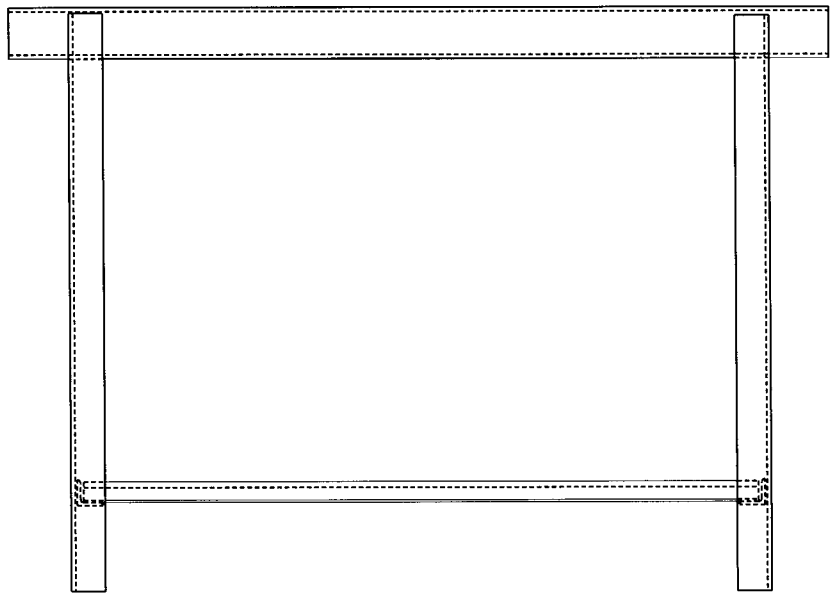
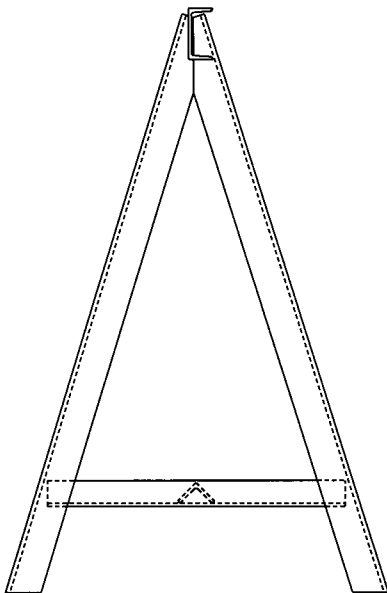
BASE PLATE ADAPTERS FOR POLES



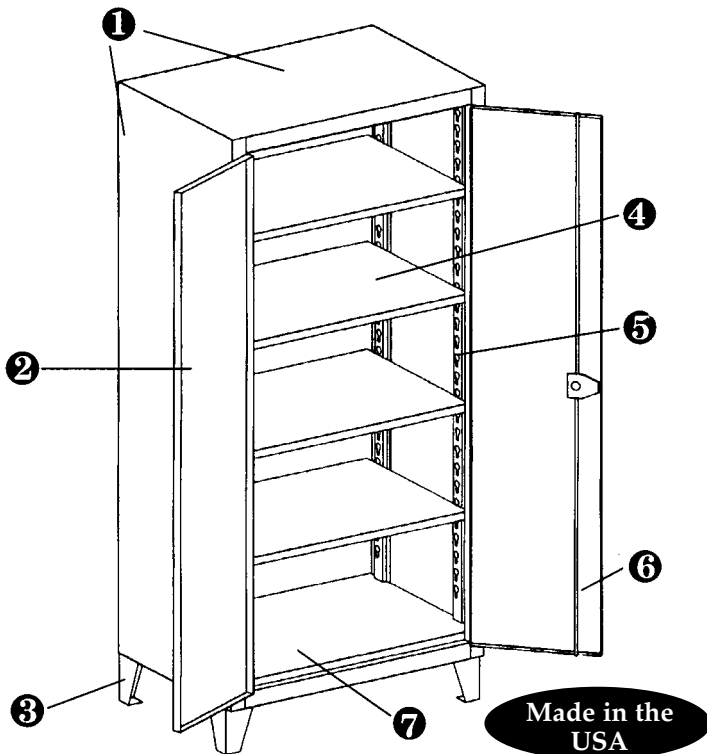
STEEL TRANSFORMER BASES



STEEL HORSE STANDS



INDUSTRIAL CABINETS

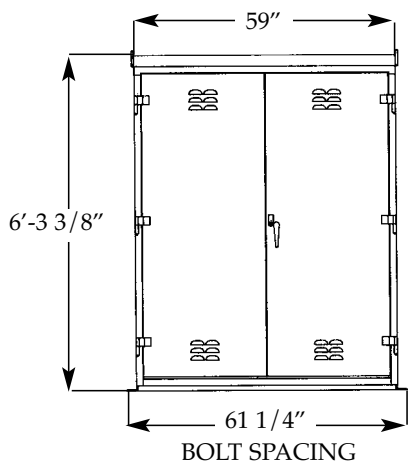


- 1 Wrap around design, one piece body, 12-gauge steel.
- 2 Two doors per cabinet, 12-gauge steel, 1" return flange, 200 degree swing, interlocking left hand door.
- 3 3/16" steel legs, provision for lagging, 6" sweep space.
- 4 Adjustable shelves, 14-gauge steel. Shelf clearance is 2-1/2" less than actual depth of cabinet.
- 5 Shelves attached with 3/8" carriage bolts.
- 6 Three-point locking device, 3/8" latch rod, 3/16" latch plate.
- 7 Flush bottom - 12-gauge steel.
- 8 Cast aluminum-bronze alloy handle, padlock tang, 3/8" angle receiver.
- 9 8-gauge hinge leaf, 5/16" brass hinge pin.

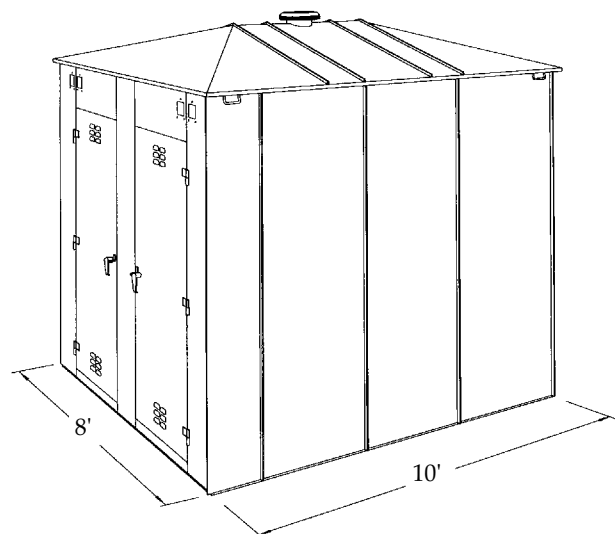
MODEL	WIDTH	DEPTH	HEIGHT	O.A. HEIGHT	SHELVES	SHELF P/N	SHELF CAPACITY	WEIGHT
◆ 36-244	36"	24"	72"	78"	4	3-24C	1900	475
◆ 46-244	48"	24"	72"	78"	4	4-24C	1200	573
◆ 56-244	60"	24"	72"	78"	4	5-24C	1650	699

◆ Denotes stock item - most ship in 48 hours

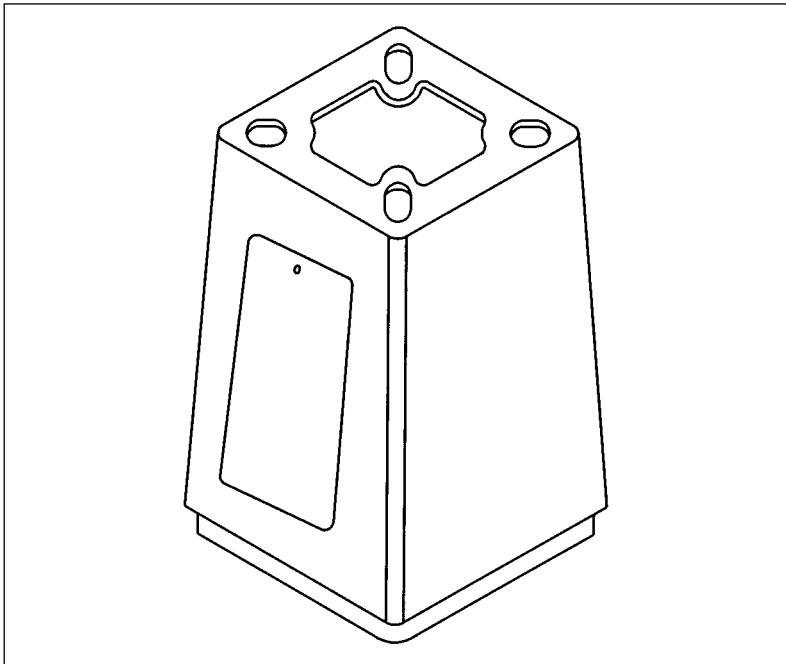
INSTRUMENT CASES



INSTRUMENT HOUSES



AKRON FOUNDRY TRANSFORMER BASE



- Door supplied in aluminum or plastic with or without hinge
- Standard 1/4"-20 SS hex screw or vandal screw to fit your specifications
- All washers to be zinc mechanical coated per ASTM B 695-85 Class 50
- 356 T-6 Aluminum Alloy/SS wheelabrated finish
- Chemical and physical certifications to be supplied with each shipment
- Adhesive breakaway and caution labels to appear on inside wall opposite door opening
- "H" after part number when a hinge door application is required
- "M" after part number denotes modification

ALUMINUM

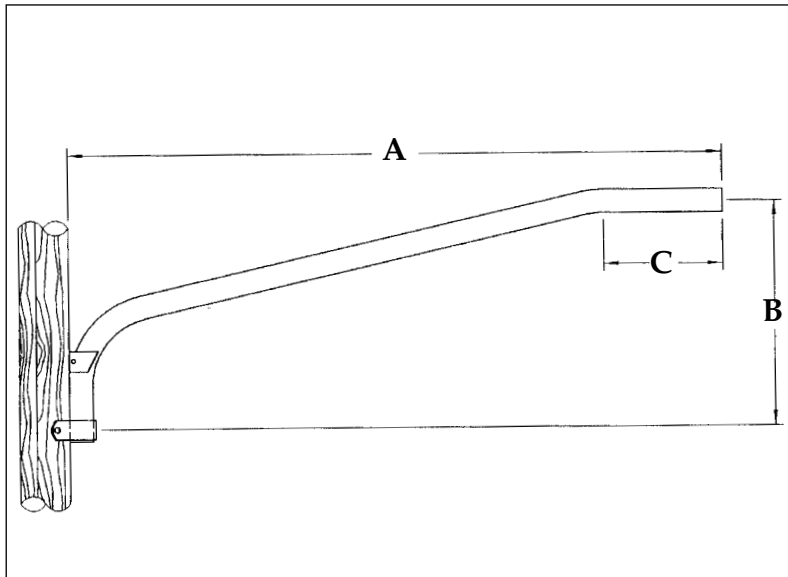
CATALOG NO.	BASE HT.	TOP SQ.	BOTTOM SQ.	TOP BOLT CIRCLE	BOTTOM BOLT CIRCLE	DOOR SIZE
◆ TB1-17	17"	13-1/8"	15-3/8"	10-1/2"-13-1/2"	13"-15"	9-1/4" x 9-3/4" x 11-3/4"
TB1-17M	17"	13-1/8"	15-3/8"	10-1/2"-13-1/2"	10-1/2"-12-15/16"	9-1/4" x 9-3/4" x 11-3/4"
◆ TB2-17	17"	12"	13"	10"-12"	10"-12"	9-1/4" x 9-3/4" x 11-3/4"
◆ TB3-17	17"	15-3/32"	17-7/16"	13"-15-1/8"	15"-17-1/4"	9-1/4" x 9-3/4" x 11-3/4"
TB1-20	20"	13-1/8"	15-3/8"	11"-13"	13"-15"	9-1/4" x 9-3/4" x 13-1/2"
TB1-20M	20"	13-1/8"	15-3/8"	11"-13"	10-1/2"-12-15/16"	9-1/4" x 9-3/4" x 13-1/2"
TB2-20	20"	12-1/16"	13"	10"-12"	10"-12"	9-1/4" x 9-3/4" x 13-1/2"
TB3-20	20"	15"	17-7/16"	13"-15 1/8"	15"-17-1/4"	9-1/4" x 9-3/4" x 13-1/2"

JOB BOX

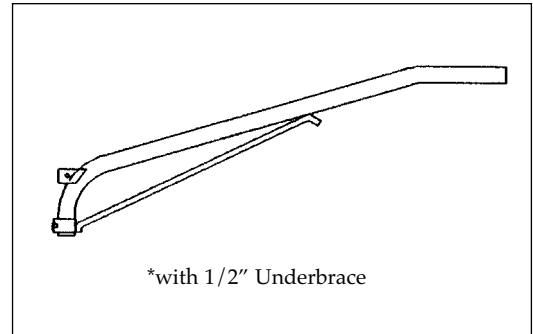


- 12-gauge steel, all-welded construction
- Removable 14-gauge shelves, concealed hinges, lifting handles
- Three-point locking system designed for a padlock
- Raised bottom for easy pickup with forklift
- Pre-punched holes for optional casters

CATALOG NO.	WIDTH	DEPTH	HEIGHT	SHELVES	SHELF CAPACITY	WEIGHT
◆453-UJB	60"	36"	48"	3	800	602
◆ indicates stock item (in limited quantity)						

"P" SERIES - CANTILEVER STYLE BRACKET**WOOD POLE MOUNTING**

- Mounting hardware not included

**ALUMINUM**

CATALOG NO.	PIPE SIZE	NOM. LGTH.	A	B	C	WT/LBS
P125A020	1-1/4"	2'	24"	13"	8"	3
◆ P125A040	1-1/4"	4'	42"	19"	10"	4
◆ P125A060U*	1-1/4"	6'	66"	24"	12"	6
P200A020	2"	2'	24"	13"	8"	5
◆ P200A026	2"	2'-6"	30"	15"	10"	6
◆ P200A040	2"	4'	42"	19"	10"	7
◆ P200A060	2"	6'	66"	24"	12"	10
◆ P200A080	2"	8'	90"	30"	15"	12

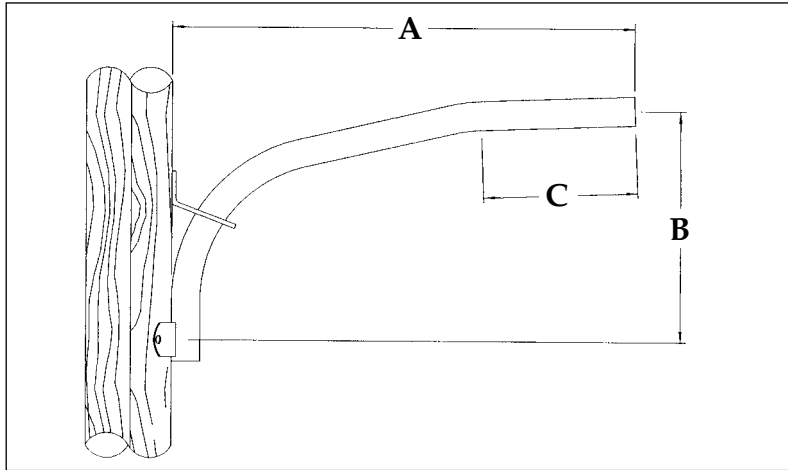
STEEL

CATALOG NO.	PIPE SIZE	NOM. LGTH.	A	B	C	WT/LBS
◆ P125S020	1-1/4"	2'	24"	13"	8"	7
◆ P125S024	1-1/4"	2'-4"	28"	13"	9"	9
◆ P125S026	1-1/4"	2'-6"	30"	15"	10"	9
◆ P125S040	1-1/4"	4'	42"	19"	10"	11
◆ P125S060	1-1/4"	6'	66"	24"	12"	15
◆ P125S080	1-1/4"	8'	90"	30"	15"	20
P200S020	2"	2'	24"	13"	8"	14
◆ P200S026	2"	2'-6"	30"	15"	10"	15
◆ P200S040	2"	4'	42"	19"	10"	18
◆ P200S060	2"	6'	66"	24"	12"	24
◆ P200S080	2"	8'	90"	30"	15"	30

◆ indicates stock item (in limited quantity)

"M" SERIES - CANTILEVER STYLE BRACKET

WOOD POLE MOUNTING



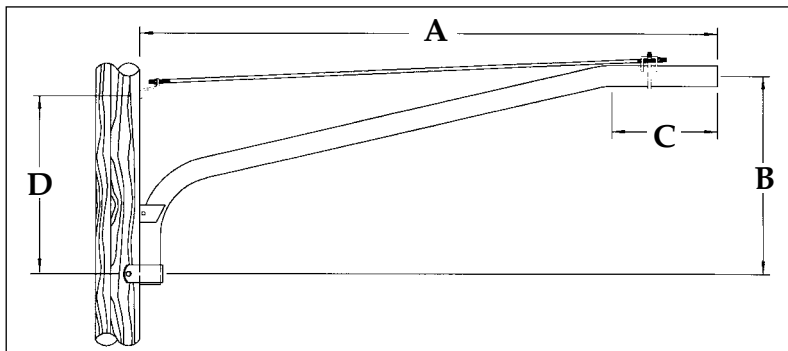
- Mounting hardware not included

ALUMINUM

CATALOG NO.	PIPE SIZE	NOM. LGTH.	A	B	C	WT/LBS
◆ M125A026	1-1/4"	2'-6"	30"	12"	12"	3

"S" SERIES - SINGLE GUY ROD BRACKET

WOOD POLE MOUNTING



- Guy rod hardware shipped in bags
- Brackets shipped unassembled
- Mounting hardware not included

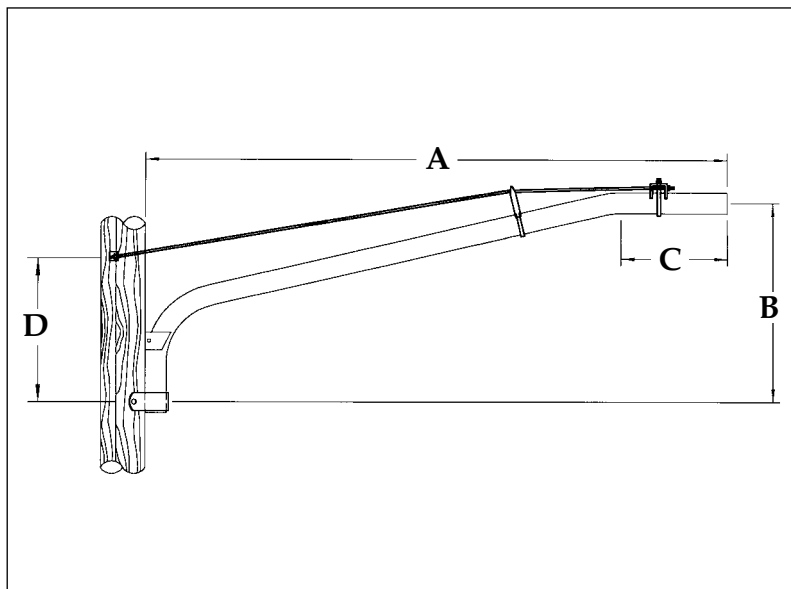
ALUMINUM

CATALOG NO.	PIPE SIZE	NOM. LGTH.	A	B	C	D	WT/LBS
◆ S200A060	2"	6'	66"	24"	12"	20"	14
◆ S200A080	2"	8'	90"	30"	15"	22"	16

STEEL

CATALOG NO.	PIPE SIZE	NOM. LGTH.	A	B	C	D	WT/LBS
◆ S125S060	1-1/4"	6'	66"	24"	12"	20"	20
◆ S125S080	1-1/4"	8'	90"	30"	15"	22"	23
◆ S125S100	1-1/4"	10'	114"	35"	18"	24"	26
◆ S200S060	2"	6'	66"	24"	12"	20"	27
◆ S200S080	2"	8'	90"	30"	15"	22"	34
◆ S200S100	2"	10'	114"	35"	18"	24"	42
◆ S200S120	2"	12'	138"	40"	21"	26"	50

◆ indicates stock item (in limited quantity)

"D" SERIES - DOUBLE GUY ROD BRACKET**WOOD POLE MOUNTING**

- Guy rod hardware shipped in bags
- Brackets shipped unassembled
- Mounting hardware not included

ALUMINUM

CATALOG NO.	PIPE SIZE	NOM. LGTH.	A	B	C	D	WT/LBS
◆ D200A080	2"	8'	90"	30"	15"	22"	23
◆ D200A100	2"	10'	114"	35"	18"	24"	27
◆ D200A120	2"	12'	138"	41"	21"	26"	32

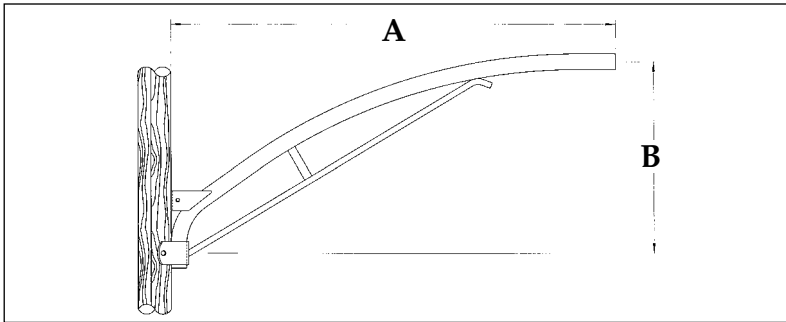
STEEL

CATALOG NO.	PIPE SIZE	NOM. LGTH.	A	B	C	D	WT/LBS
◆ D125S080	1-1/4"	8'	90"	30"	15"	22"	32
◆ D125S100	1-1/4"	10'	114"	35"	18"	24"	36
◆ D125S120	1-1/4"	12'	138"	41"	21"	26"	43
◆ D125S140	1-1/4"	14'	162"	47"	24"	28"	50
◆ D200S080	2"	8'	90"	30"	15"	22"	42
◆ D200S100	2"	10'	114"	35"	18"	24"	51
◆ D200S120	2"	12'	138"	41"	21"	26"	59
◆ D200S140	2"	14'	162"	47"	24"	28"	66
◆ D200S160	2"	16'	186"	52"	27"	32"	78

◆ indicates stock item (in limited quantity)

"U" SERIES - CONTINUOUS UPSWEEP BRACKET W/UNDERBRACE

WOOD POLE MOUNTING



- Mounting hardware not included

ALUMINUM

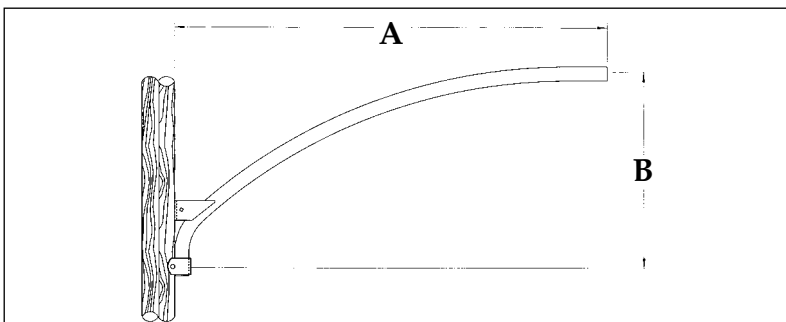
CATALOG NO.	PIPE SIZE	NOM. LGTH.	A	B	WT/LBS
U125A060U	1-1/4"	6'	66"	30"	9
◆ U200A060U	2"	6'	66"	30"	12
◆ U200A080U	2"	8'	90"	30"	15

STEEL

CATALOG NO.	PIPE SIZE	NOM. LGTH.	A	B	WT/LBS
◆ U125S060U	1-1/4"	6'	66"	30"	26
◆ U125S080U	1-1/4"	8'	90"	30"	30
U200S060U	2"	6'	66"	30"	37
U200S080U	2"	8'	90"	30"	45

"U" SERIES - CONTINUOUS UPSWEEP BRACKET

WOOD POLE MOUNTING



- Mounting hardware not included

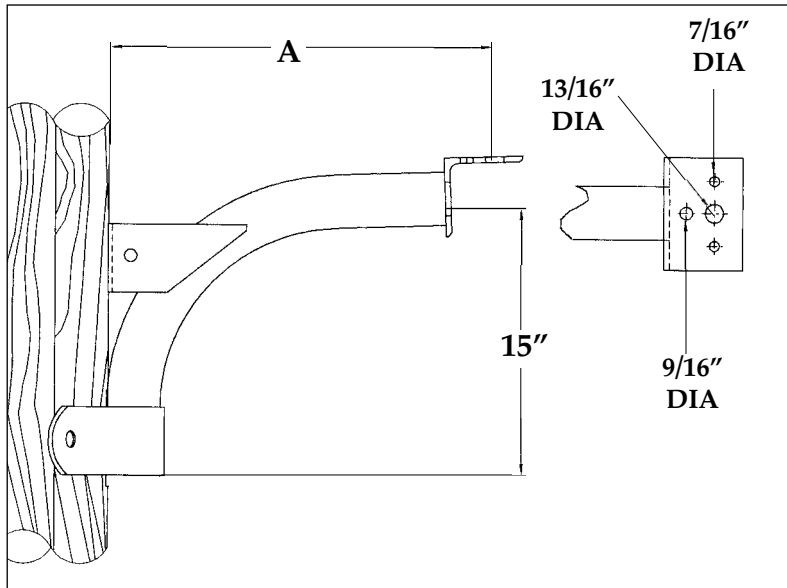
ALUMINUM

CATALOG NO.	PIPE SIZE	NOM. LGTH.	A	B	WT/LBS
U125A040	1-1/4"	4'	43"	22"	5
◆ U200A040	2"	4'	43"	22"	8
◆ U200A060	2"	6'	66"	30"	10

STEEL

CATALOG NO.	PIPE SIZE	NOM. LGTH.	A	B	WT/LBS
◆ U125S040	1-1/4"	4'	43"	22"	13
◆ U125S060	1-1/4"	6'	66"	30"	18
◆ U200S040	2"	4'	43"	22"	22
◆ U200S060	2"	6'	66"	30"	32
◆ U200S080	2"	8'	90"	30"	40

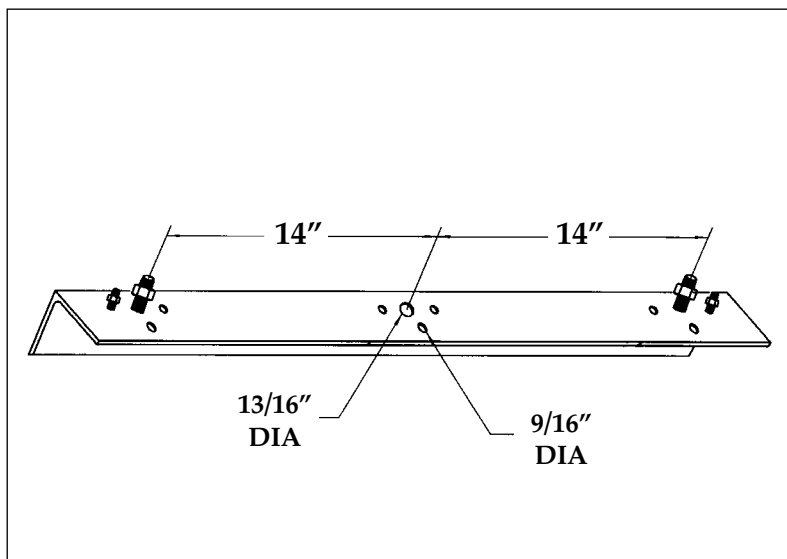
◆ indicates stock item (in limited quantity)

"P" SERIES - CROSS ARM BRACKET**WOOD POLE MOUNTING**

- Fixture mounting hardware included
- Finish: Hot dip galvanized
- For primer, substitute "P" in place of "S"

STEEL

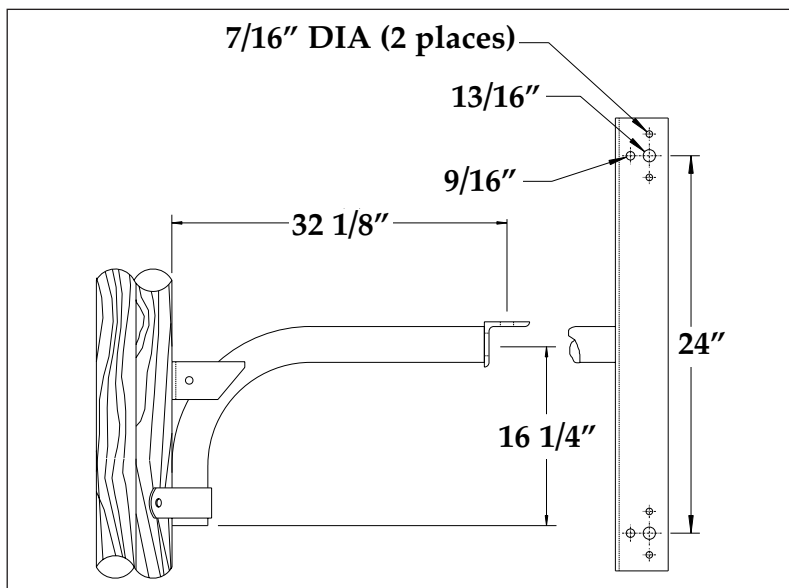
CATALOG NO.	PIPE SIZE	NOM. LGTH.	A	WT/LBS
◆ P200S016C	2"	1'-6"	18"	14
◆ P200S026C	2"	2'-6"	30"	15
P200S040C	2"	4'	48"	20

TWIN CROSS ARM ADAPTER ANGLE BRACKET**CROSS ARM MOUNTING**

- Fixture mounting hardware included
- Wiring access optional
- Finish: Hot dip galvanized

STEEL

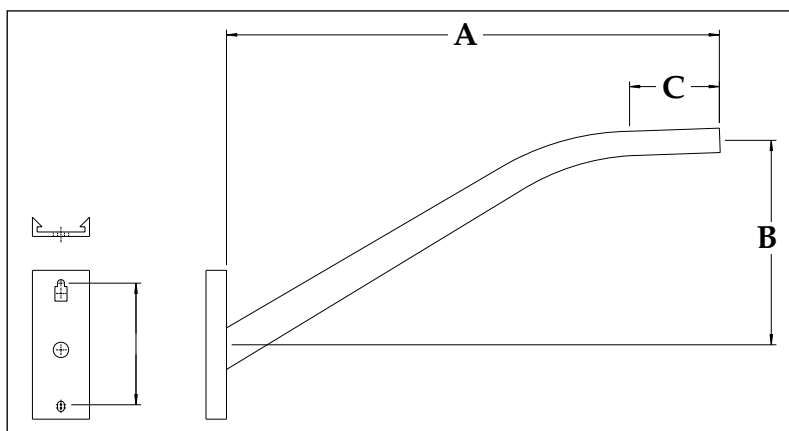
CATALOG NO.	WT/LBS
◆ TCAA33	20
◆ indicates stock item (in limited quantity)	

"P" SERIES - TWIN CROSS ARM BRACKET**WOOD POLE MOUNTING**

- Fixture mounting hardware included
- Finish: Hot dip galvanized
- For primer, substitute "P" in place of "S"

STEEL

CATALOG NO.	PIPE SIZE	NOM. LGTH.	WT/LBS
◆ P200S026T	2"	2'-5"	31

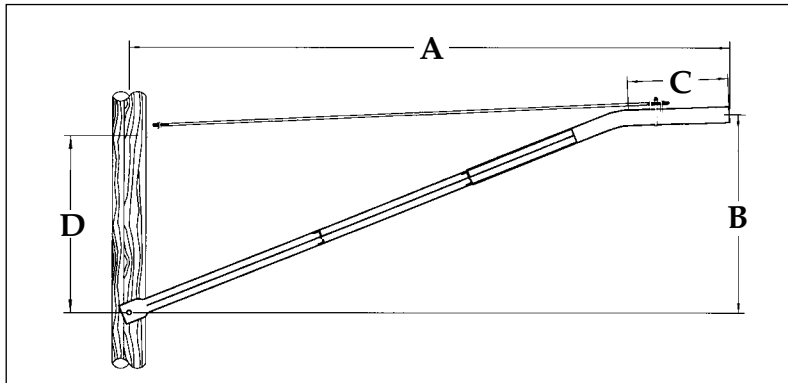
"B" SERIES - TAPERED ELLIPTICAL BRACKET**WOOD POLE MOUNTING**

- Mounting hardware not included
- Wiring access optional
- Consult manufacturer for mounting hole spacing

ALUMINUM

CATALOG NO.	PIPE SIZE	NOM. LGTH.	A	B	C	WT/LBS
◆ B200A026-4.0	2"	2'-6"	30"	12"	10"	9
◆ B200A040-3.0	2"	4'	48"	20 1/4"	8 3/4"	10
◆ B200A060-3.5	2"	6'	72"	30 7/8"	10"	17
◆ B200A080-4.0	2"	8'	96"	44 7/8"	9"	19
◆ B200A100-4.0	2"	10'	120"	51 1/8"	12"	21

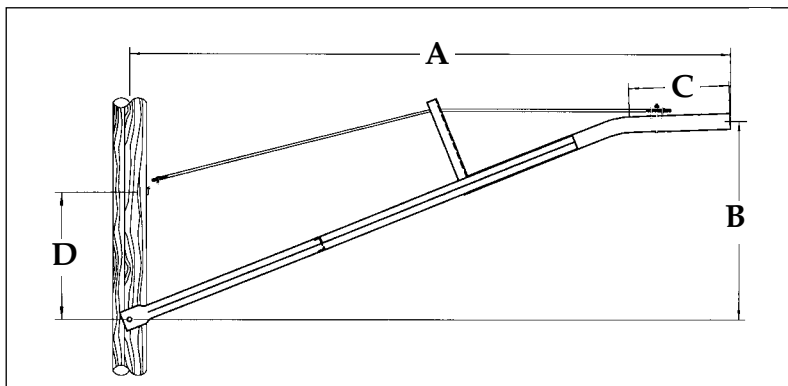
◆ indicates stock item (in limited quantity)

"A" SERIES - A-FRAME BRACKET 8' - 12'**WOOD POLE MOUNTING**

- Guy rod hardware shipped in bags
- Brackets shipped unassembled
- Mounting hardware not included
- Finish: Hot dip galvanized

STEEL

CATALOG NO.	PIPE SIZE	NOM. LGTH.	A	B	C	D	WT/LBS
A125S080	1-1/4"	8'	90"	30"	11"	28"	34
A125S100	1-1/4"	10'	114"	35"	14"	28"	42
A125S120	1-1/4"	12'	138"	43"	17"	28"	49
A200S080	2"	8'	90"	30"	11"	28"	39
A200S100	2"	10'	114"	35"	14"	28"	48
A200S120	2"	12'	138"	43"	17"	28"	56

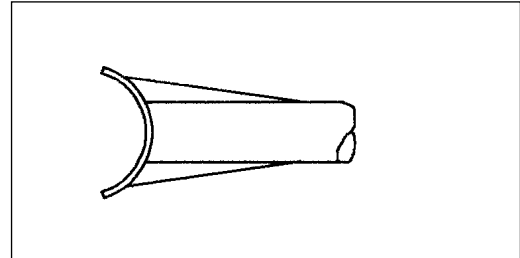
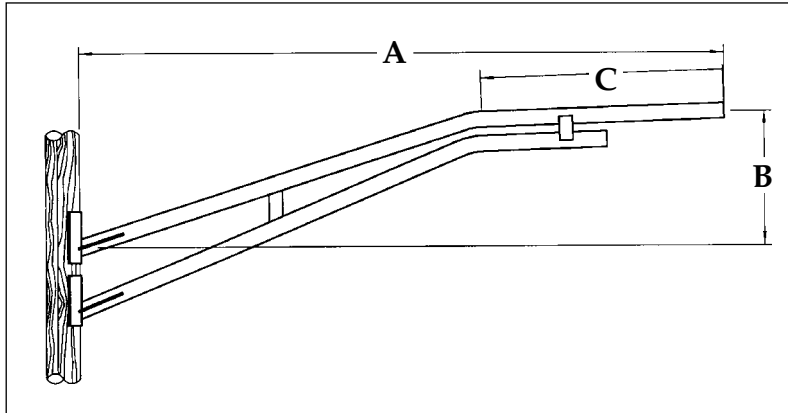
"A" SERIES - A-FRAME BRACKET 14' - 20'**WOOD POLE MOUNTING**

- Guy rod hardware shipped in bags
- Brackets shipped unassembled
- Mounting hardware not included
- Finish: Hot dip galvanized

STEEL

CATALOG NO.	PIPE SIZE	NOM. LGTH.	A	B	C	D	WT/LBS
A125S140	1-1/4"	14'	162"	50"	20"	28"	64
A125S160	1-1/4"	16'	186"	56"	23"	28"	70
A200S140	2"	14'	162"	50"	20"	28"	72
A200S160	2"	16'	186"	56"	23"	28"	80
A200S180*	2"	18'	210"	66"	26"	24"	88
A200S200*	2"	20'	234"	73"	29"	21"	96

* Also available with 1-1/4" slipfit end

TRUSS BRACKET**WOOD POLE MOUNTING**

Wood Pole Mounting
Mounting Hardware Not Included.

ALUMINUM

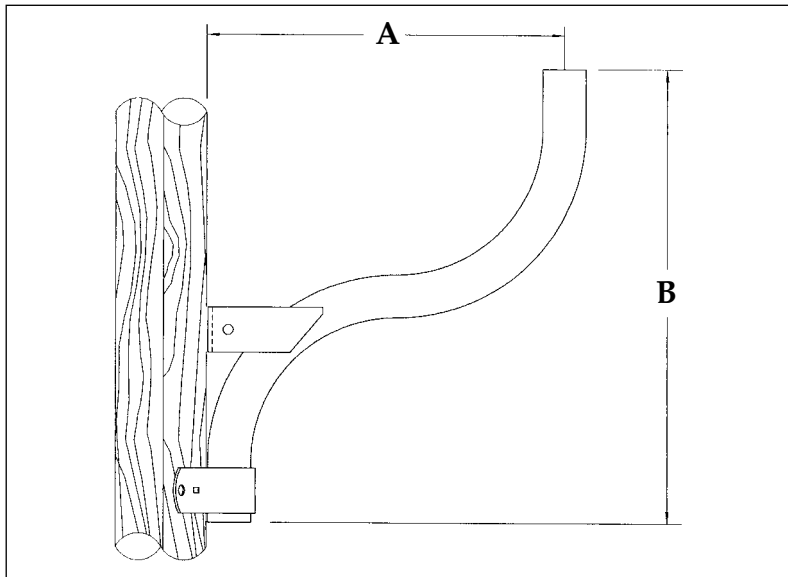
CATALOG NO.	PIPE SIZE	NOM. LGTH.	A	B	C	WT/LBS
C200A060X	2"	6'	72"	13"	36"	20
C200A080X	2"	8'	96"	21"	36"	25
C200A100X	2"	10'	120"	28"	36"	30
C200A120X	2"	12'	144"	36"	36"	35
C200A140X	2"	14'	168"	44"	36"	40
C200A150X	2"	15'	180"	48"	36"	45

STEEL

CATALOG NO.	PIPE SIZE	NOM. LGTH.	A	B	C	WT/LBS
C200S060X	2"	6'	72"	13"	36"	58
C200S080X	2"	8'	96"	21"	36"	72
C200S100X	2"	10'	120"	28"	36"	85
C200S120X	2"	12'	144"	36"	36"	99
C200S140X	2"	14'	168"	44"	36"	112
C200S150X	2"	15'	180"	48"	36"	122
C200S160X	2"	16'	186"	52"	36"	171
C200S180X	2"	18'	210"	60"	36"	188
C200S200X	2"	20'	234"	68"	36"	205

SINGLE FLOODLIGHT BRACKET

WOOD POLE MOUNTING



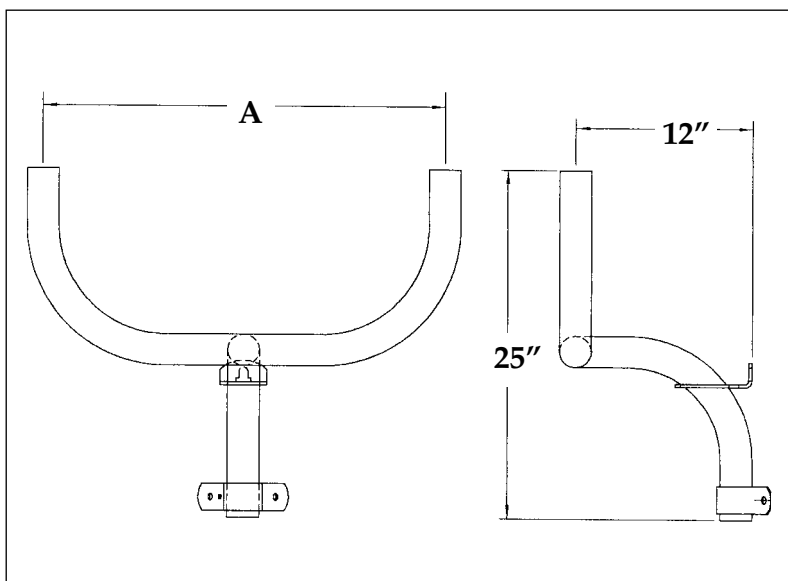
- Mounting hardware not included
- Finish: Primer
Hot dip galvanized

STEEL

CATALOG NO.	PIPE SIZE	A	B	WT/LBS
◆ SF-18G	2"	18"	23"	15
◆ SF-07P	2"	7"	20"	11
◆ SF-07G	2"	7"	20"	12

DOUBLE FLOODLIGHT BRACKET

WOOD POLE MOUNTING



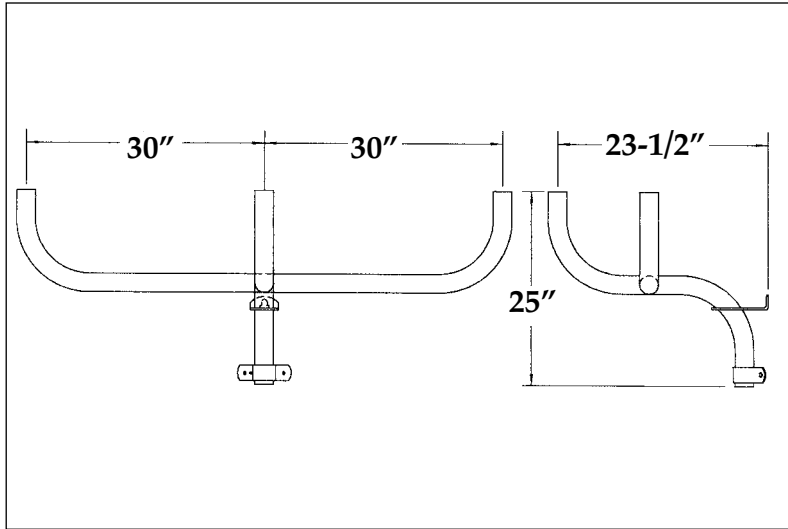
- Mounting hardware not included
- Finish: Primer
Hot dip galvanized

STEEL

CATALOG NO.	PIPE SIZE.	A	WT/LBS
◆ DF-30P	2"	30"	25
◆ DF-30G	2"	30"	27
◆ indicates stock item (in limited quantity)			

TRIPLE FLOODLIGHT BRACKET

WOOD POLE MOUNTING



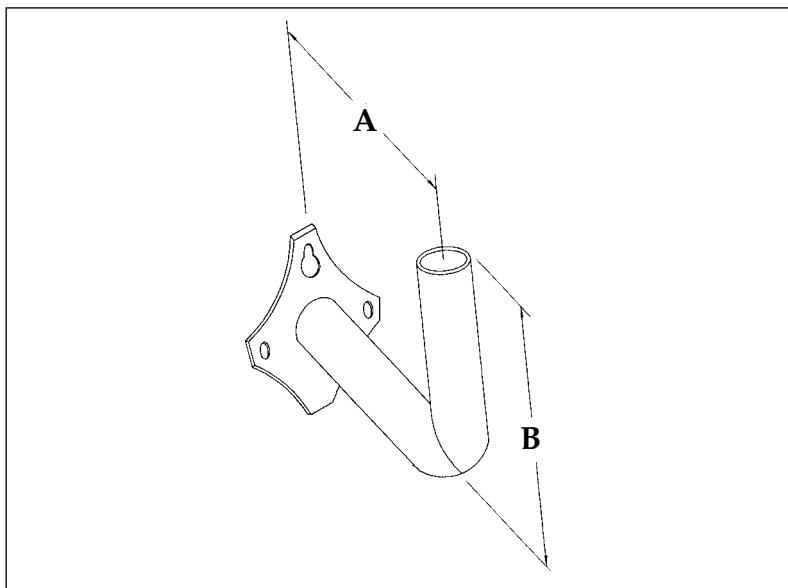
- Mounting hardware not included
- Finish: Hot dip galvanized
- For primer, substitute "P" in place of "G"

STEEL

CATALOG NO.	PIPE SIZE.	WT/LBS
◆ TF-30G	2"	43

RIGHT ANGLE BRACKET

WOOD POLE MOUNTING

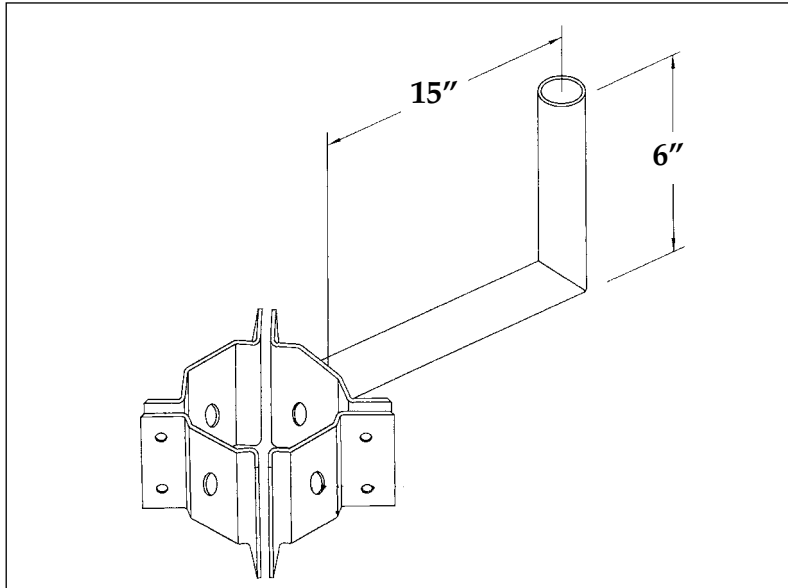


- Mounting hardware not included
- Finish: Primer
- For hot dip galvanized, substitute "G" in place of "P"

STEEL

CATALOG NO.	PIPE SIZE	A	B	WT/LBS
◆ RAB-WM-P	2"	12"	13"	12
RABH-WM-P	2"	8-1/2"	8"	11
RABH14-WM-P	2"	14-1/2"	8"	12

◆ indicates stock item (in limited quantity)

WRAP AROUND BRACKET – ONE ARM**WOOD POLE MOUNTING**

- All brackets shipped complete with hardware
- Finish: Primer
- For hot dip galvanized, substitute "G" in place of "P"

STEEL**CATALOG NO.**

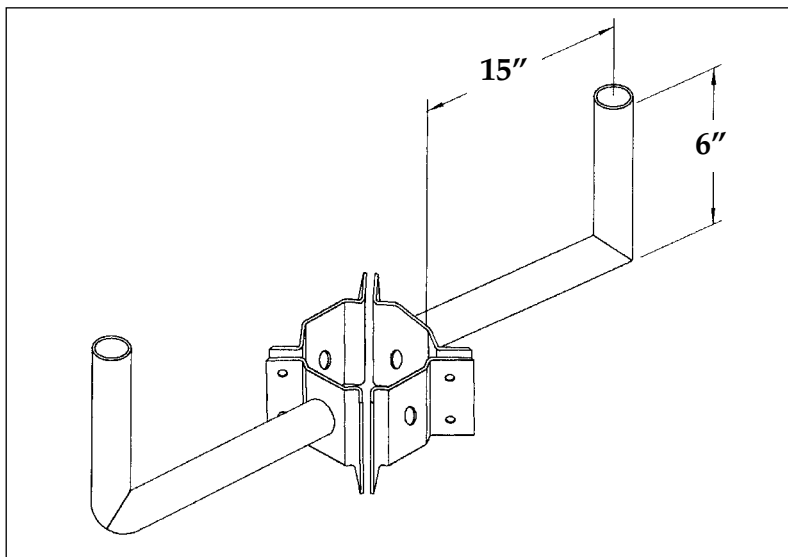
- ◆ W1-P-7-10
- ◆ W1-P-10-13

POLE DIA.

- 7"-10"
- 10"-13"

WT/LBS

- 21
- 21

WRAP AROUND BRACKET – TWO ARM**WOOD POLE MOUNTING**

- All brackets shipped complete with hardware
- Finish: Primer
- For hot dip galvanized, substitute "G" in place of "P"

STEEL**CATALOG NO.**

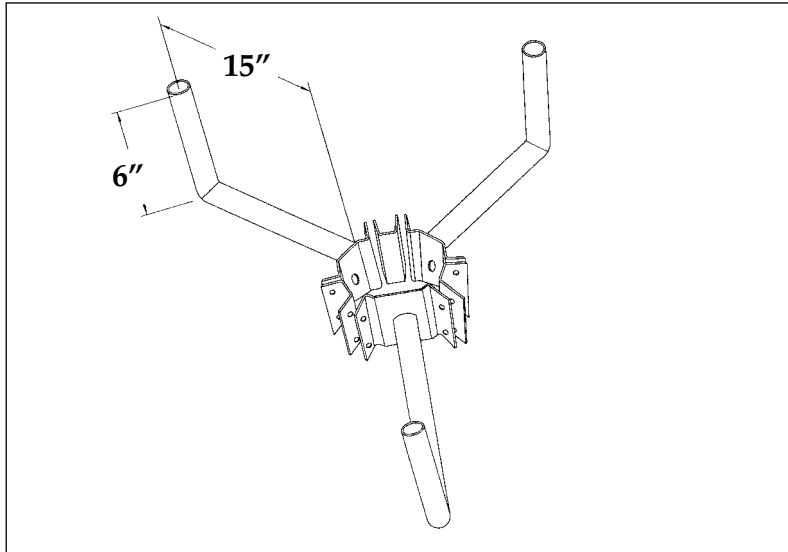
- ◆ W2-P-7-10
- ◆ W2-P-10-13
- ◆ indicates stock item (in limited quantity)

POLE DIA.

- 7"-10"
- 10"-13"

WT/LBS

- 28
- 28

WRAP AROUND BRACKET – THREE ARM**WOOD POLE MOUNTING**

- All brackets shipped complete with hardware
- Finish: Primer
- For hot dip galvanized, substitute "G" in place of "P"

STEEL**CATALOG NO.**

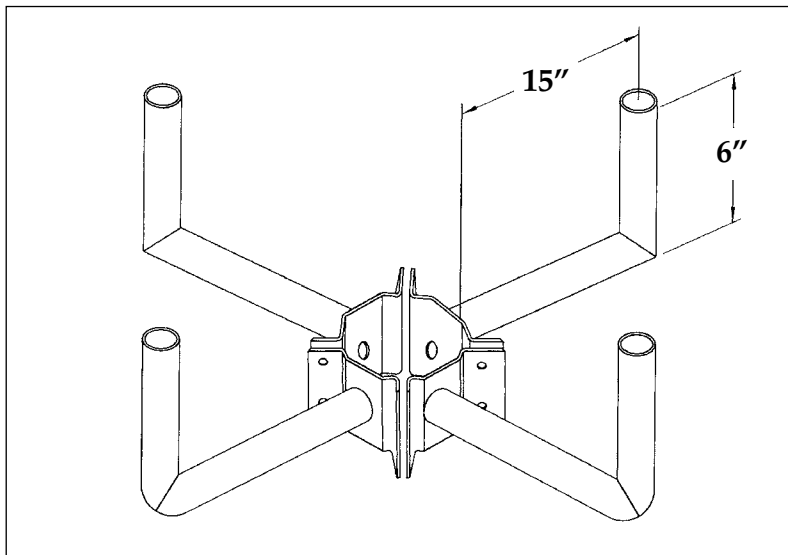
- ◆ W3-P-7-10
- ◆ W3-P-10-13

POLE DIA.

- 7"-10"
- 10"-13"

WT/LBS

- 32
- 35

WRAP AROUND BRACKET – FOUR ARM**WOOD POLE MOUNTING**

- All brackets shipped complete with hardware
- Finish: Primer
- For hot dip galvanized, substitute "G" in place of "P"

STEEL**CATALOG NO.**

- ◆ W4-P-7-10
- ◆ W4-P-10-13

POLE DIA.

- 7"-10"
- 10"-13"

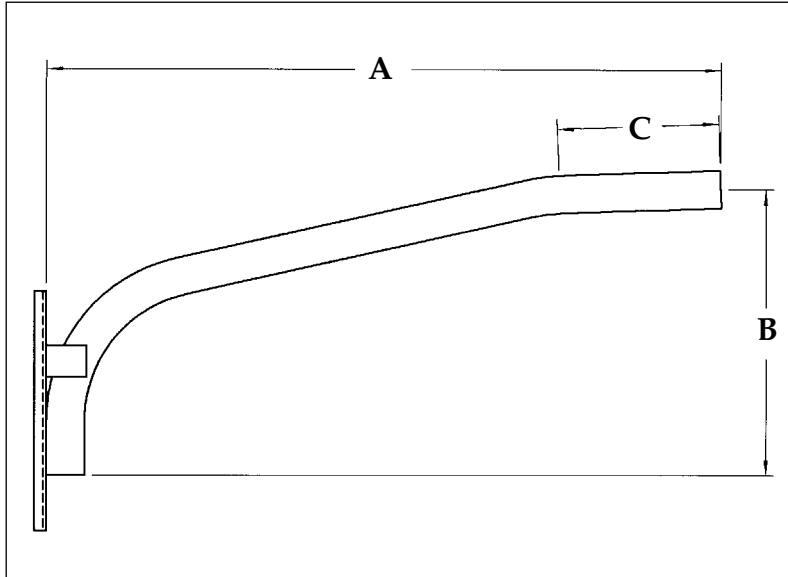
WT/LBS

- 43
- 43

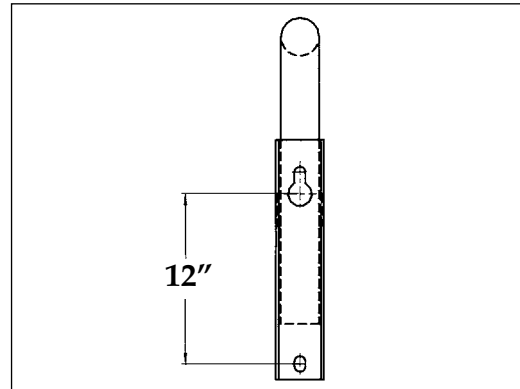
◆ indicates stock item (in limited quantity)

"P" SERIES - CANTILEVER STYLE BRACKET W/UNIVERSAL BASE

CONCRETE & STEEL POLE MOUNTING



- Round poles
- Square poles 4" and larger
- Octagonal poles having minimum 4" flat
- Mounting hardware not included



ALUMINUM

CATALOG NO.	PIPE SIZE	NOM. LGTH.	A	B	C	WT/LBS
P125A040B	1-1/4"	4'	42"	18"	10"	6
P200A040B	2"	4'	42"	18"	10"	8
◆ P200A060B	2"	6'	66"	24"	12"	11
P200A080B	2"	8'	90"	30"	15"	14

STEEL

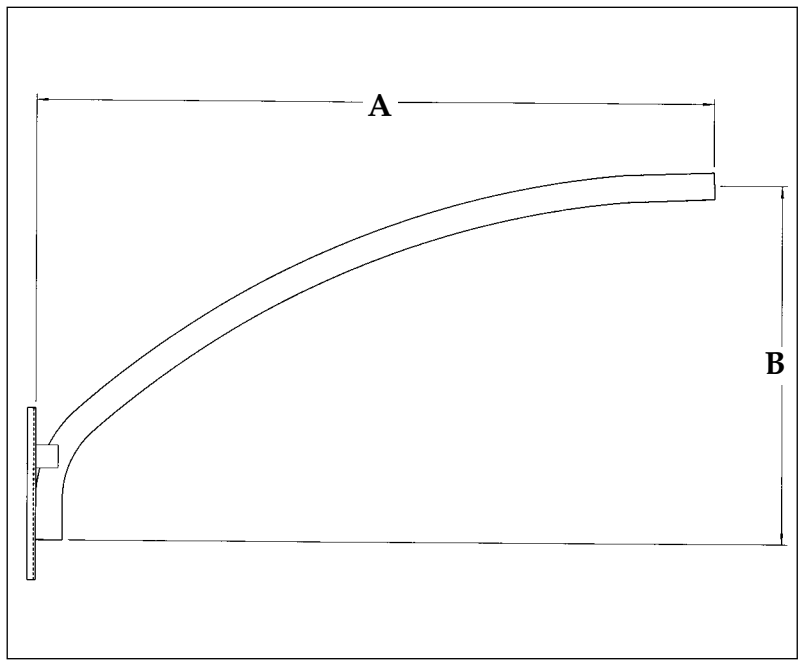
CATALOG NO.	PIPE SIZE	NOM. LGTH.	A	B	C	WT/LBS
P125S040B	1-1/4"	4'	42"	18"	10"	13
P125S060B	1-1/4"	6'	66"	24"	12"	17
P200S040B	2"	4'	42"	18"	10"	18
P200S060B	2"	6'	66"	24"	12"	24
P200S080B*	2"	8'	90"	30"	15"	30

*Also available with 1-1/4" slipfit end.

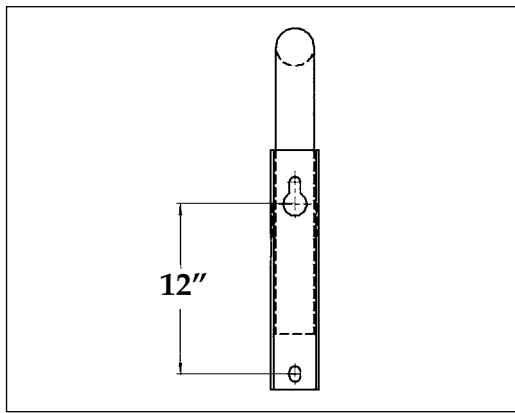
◆ indicates stock item (in limited quantity)

"U" SERIES - CONTINUOUS UPSWEEP BRACKET W/UNIVERSAL BASE

CONCRETE & STEEL POLE MOUNTING



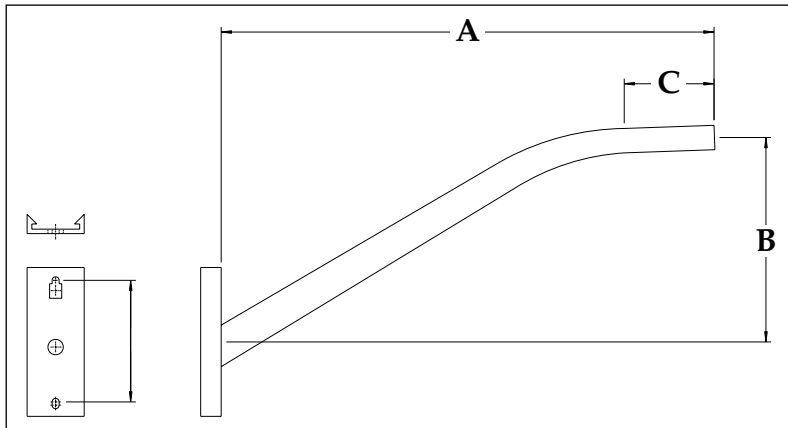
- Round poles
- Square poles 4" and larger
- Octagonal poles having minimum 4" flat
- Finish: hot dip galvanized
- Mounting hardware not included



STEEL

CATALOG NO.	PIPE SIZE	NOM. LGTH.	A	B	WT/LBS
◆U125S040B	1 1/4"	4"	43"	22"	16
◆U200S060B	2"	6"	66"	30"	29
U200S080B	2"	8"	90"	30"	36

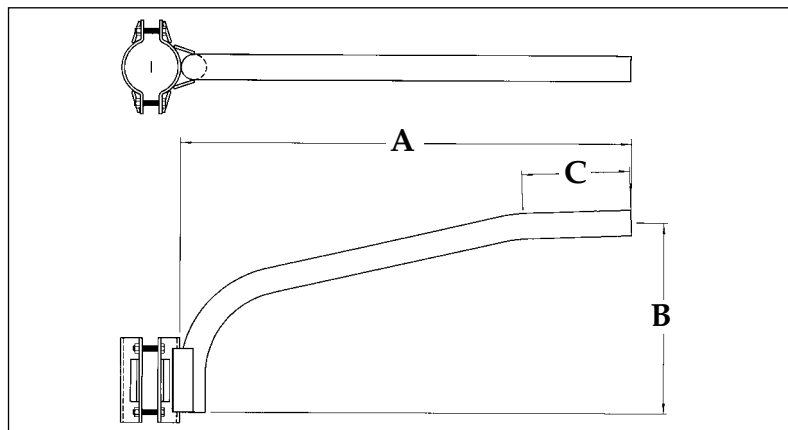
◆ indicates stock item (in limited quantity)

"B" SERIES - TAPERED ELLIPTICAL BRACKET**CONCRETE & STEEL POLE MOUNTING****FOR ROUND POLES**

- Mounting hardware not included
- Wiring access optional
- Consult manufacturer for mounting hole spacing

ALUMINUM

CATALOG NO.	PIPE SIZE	NOM. LGTH.	A	B	C	WT/LBS
◆B200A026-4.0	2"	2'-6"	30"	12"	10"	9
◆B200A040-3.0	2"	4'	48"	20 1/4"	8 3/4"	10
◆B200A060-3.5	2"	6'	72"	30 7/8"	10"	17
◆B200A080-4.0	2"	8'	96"	44 7/8"	9"	19
◆B200A100-4.0	2"	10'	120"	51 1/8"	12"	21

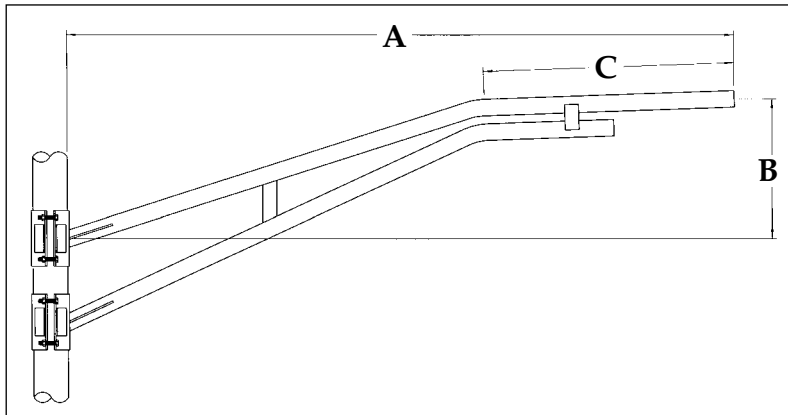
"E" SERIES - CANTILEVER STYLE BRACKET**CONCRETE & STEEL POLE MOUNTING****FOR ROUND POLES**

- Mounting hardware included
- Indicate pole diameter when ordering
- Finish: Hot dip galvanized
- Also available: square and octagonal pole mounting

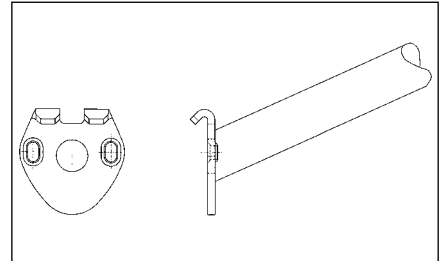
STEEL

CATALOG NO.	PIPE SIZE	NOM. LGTH.	A	B	C
E125S026NX	1-1/4"	2'-6"	30"	15"	10"
E125S040NX	1-1/4"	4'	42"	19"	10"
E125S060NX	1-1/4"	6'	66"	24"	12"
E200S026NX	2"	2'-6"	30"	15"	10"
E200S040NX	2"	4'	42"	19"	10"
E200S060NX	2"	6'	66"	24"	12"
E200S080NX	2"	8'	90"	30"	15"

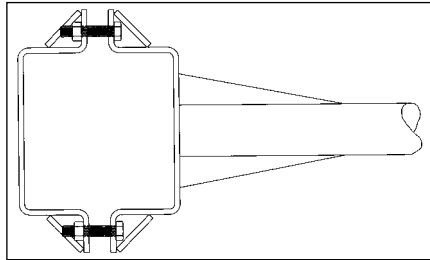
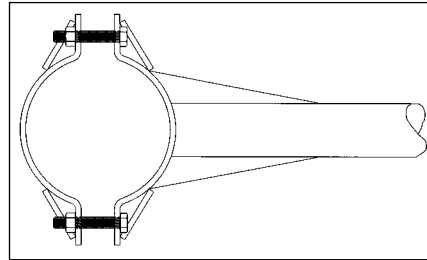
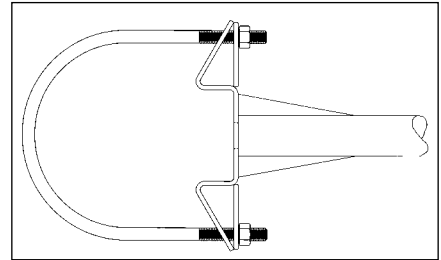
◆ indicates stock item (in limited quantity)

TRUSS BRACKET**CONCRETE & STEEL POLE MOUNTING**

- Indicate pole size and mounting style when ordering
- Octagonal pole mounting also available



Simplex Mounting (Add SIMPX to P/N)

Square Pole Mounting
Mounting Hardware Included.Round Pole Mounting
Mounting Hardware Included.U-Bolt Mounting for Round Pole
Mounting Hardware Included.**ALUMINUM**

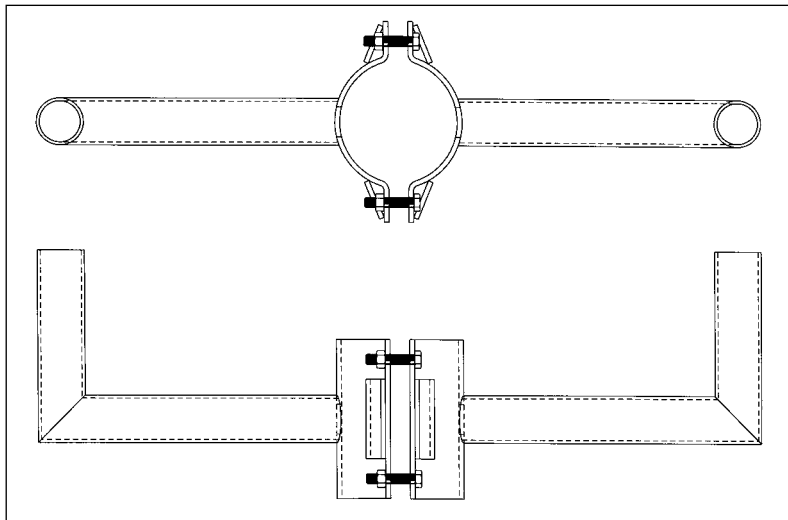
CATALOG NO.	PIPE SIZE	NOM. LGTH.	A	B	C	WT/LBS
C200A060NX	2"	6'	72"	13"	36"	20
C200A080NX	2"	8'	96"	21"	36"	25
C200A100NX	2"	10'	120"	28"	36"	30
C200A120NX	2"	12'	144"	36"	36"	35
C200A140NX	2"	14'	168"	44"	36"	40
C200A150NX	2"	15'	180"	48"	36"	45

STEEL

CATALOG NO.	PIPE SIZE	NOM. LGTH.	A	B	C	WT/LBS
C200S060NX	2"	6'	72"	13"	36"	58
C200S080NX	2"	8'	96"	21"	36"	72
C200S100NX	2"	10'	120"	28"	36"	85
C200S120NX	2"	12'	144"	36"	36"	99
C200S140NX	2"	14'	168"	44"	36"	112
C200S150NX	2"	15'	180"	48"	36"	122
C200S160NX	2"	16'	186"	52"	36"	171
C200S180NX	2"	18'	210"	60"	36"	188
C200S200NX	2"	20'	234"	68"	36"	205

RIGHT ANGLE WRAP BRACKET FOR ROUND POLES

CONCRETE & STEEL POLE MOUNTING



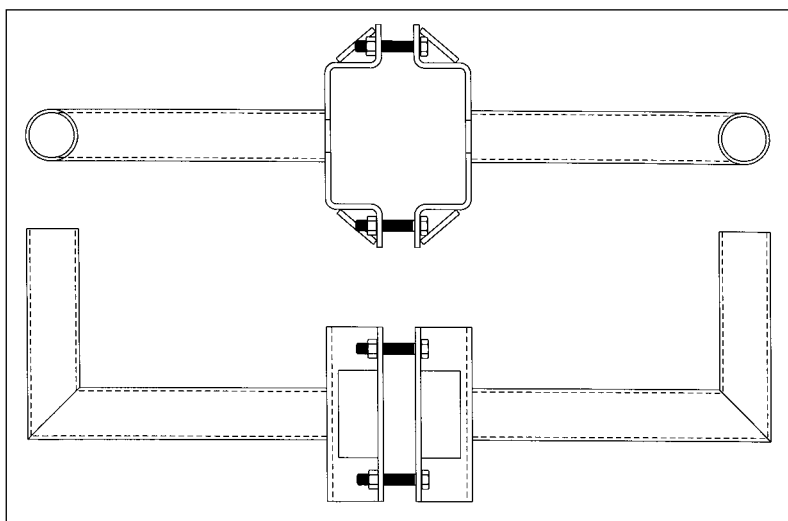
- Indicate pole size when ordering
- Fixture mounting hardware included
- Specify finish: "G" for hot dip galvanized, "P" for primer, "DB" for dark bronze
- Single arm and 18" arms are also available
- Wrap brackets for octagonal poles are also available

STEEL

CATALOG NO.	ARM	PIPE SIZE	HORIZONTAL	VERTICAL
RABH-14-RNDB	SINGLE	2"	14"	8"
RABH-14-RNDB2	DOUBLE	2"	14"	8"

RIGHT ANGLE WRAP BRACKET FOR SQUARE POLES

CONCRETE & STEEL POLE MOUNTING

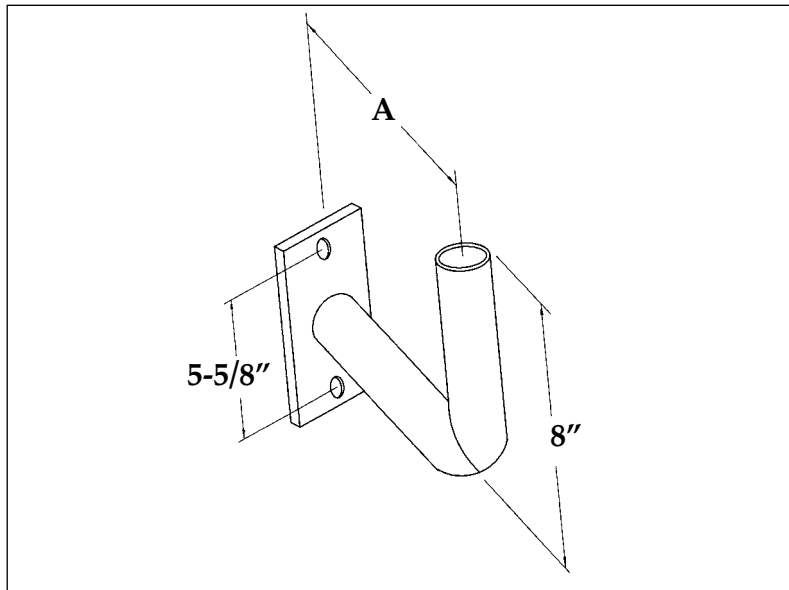


- Indicate pole size when ordering
- Fixture mounting hardware included
- Specify finish: "G" for hot dip galvanized, "P" for primer, "DB" for dark bronze
- Single arm and 18" arms are also available
- Wrap brackets for octagonal poles are also available

STEEL

CATALOG NO.	ARM	PIPE SIZE	HORIZONTAL	VERTICAL
RABH-14-SNDB	SINGLE	2"	14"	8"
RABH-14-SNDB2	DOUBLE	2"	14"	8"

HEAVY RIGHT ANGLE BRACKET



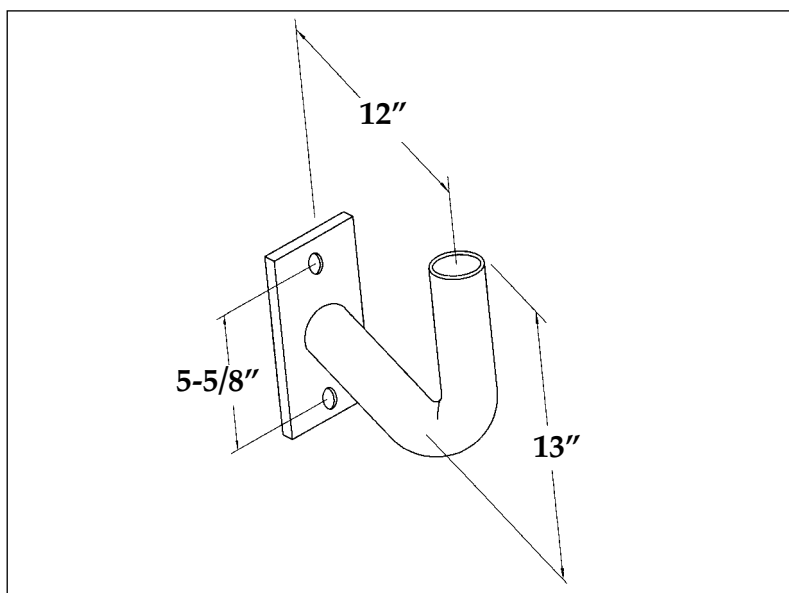
SQUARE POLE MOUNTING

- Minimum 4" square pole
- 9/16" diameter mounting holes
- 3-3/4" x 7" mounting plate
- Mounting hardware not included
- Finish: Primer
- For hot dip galvanized, substitute "G" in place of "P"
- For dark bronze, substitute "DB" in place of "P"

STEEL

CATALOG NO.	PIPE SIZE	A	WT/LBS
RABHX-P	2"	8-1/2"	8
RABHX-14-P	2"	14"	10

RIGHT ANGLE BRACKET



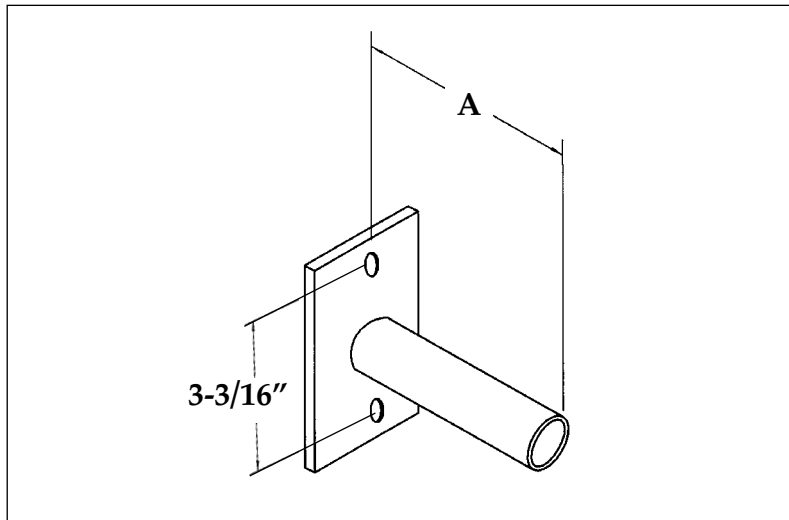
SQUARE POLE MOUNTING

- Minimum 4" square pole
- 9/16" diameter mounting holes
- 3-3/4" x 7" mounting plate
- Mounting hardware not included
- Finish: Primer
- For hot dip galvanized, substitute "G" in place of "P"
- For dark bronze, substitute "DB" in place of "P"

STEEL

CATALOG NO.	PIPE SIZE	WT/LBS
◆ RABX-P	2"	7

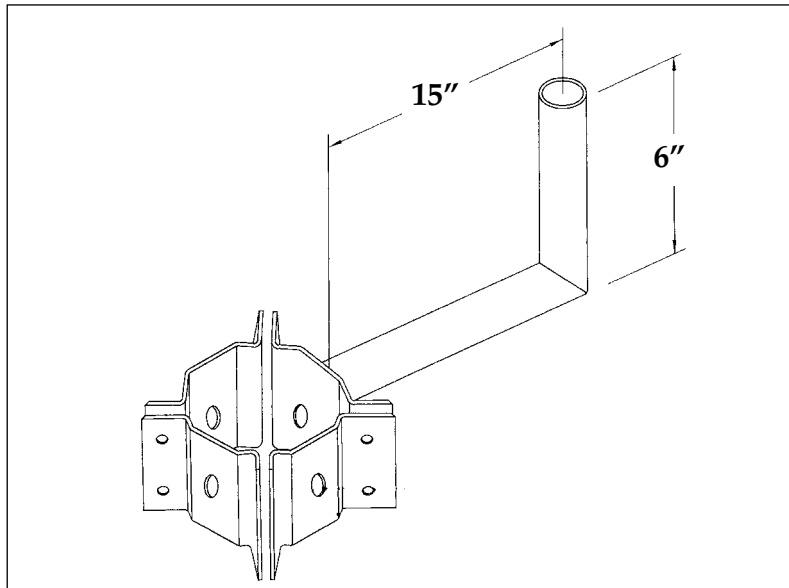
◆ indicates stock item (in limited quantity)

SIDE TENON BRACKET**SQUARE POLE MOUNTING**

- Minimum 4" square pole
- 9/16" diameter mounting holes
- 4" x 5-1/4" mounting plate
- Mounting hardware not included
- Finish: Primer
- For hot dip galvanized, substitute "G" in place of "P"
- For dark bronze, substitute "DB" in place of "P"

STEEL

CATALOG NO.	PIPE SIZE	PIPE LENGTH A	WT/LBS
ST-1-6P	1-1/4"	6-1/2"	4
ST-1-8P	1-1/4"	8"	4
ST-2-6P	2"	6-1/2"	4
ST-2-8P	2"	8"	4

WRAP AROUND BRACKET – ONE ARM**CONCRETE & STEEL POLE MOUNTING****FOR ROUND POLES**

- All brackets shipped complete with hardware
- Finish: Primer
- For hot dip galvanized, substitute "G" in place of "P"

STEEL**CATALOG NO.**

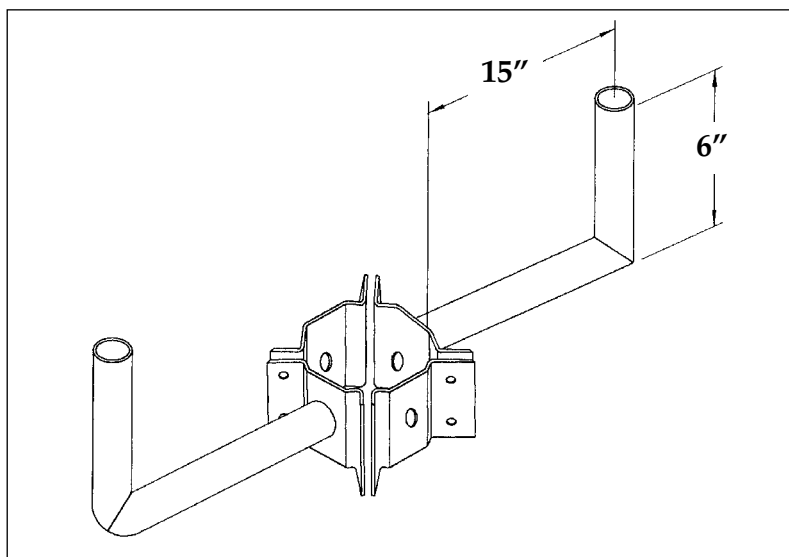
- ◆ W1-P-7-10
- ◆ W1-P-10-13

POLE DIA.

- 7"-10"
- 10"-13"

WT/LBS

- 21
- 21

WRAP AROUND BRACKET – TWO ARM**CONCRETE & STEEL POLE MOUNTING****FOR ROUND POLES**

- All brackets shipped complete with hardware
- Finish: Primer
- For hot dip galvanized, substitute "G" in place of "P"

STEEL**CATALOG NO.**

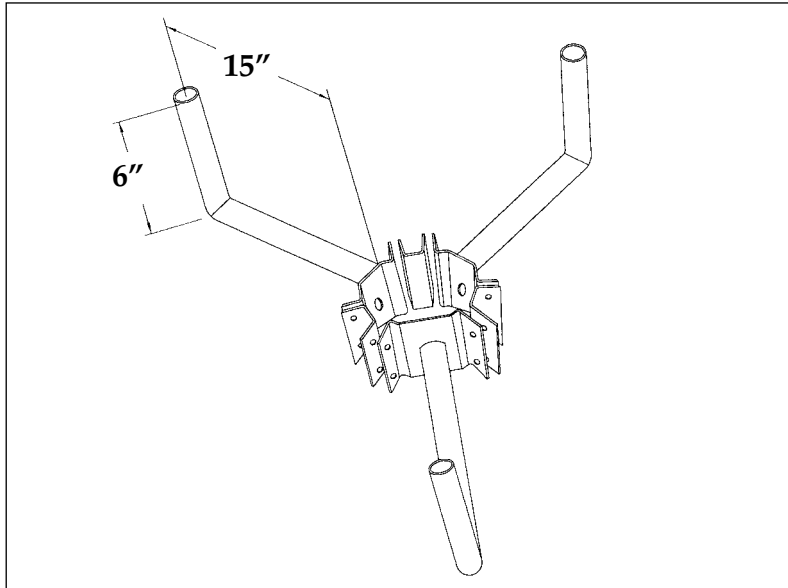
- ◆ W2-P-7-10
- ◆ W2-P-10-13
- ◆ indicates stock item (in limited quantity)

POLE DIA.

- 7"-10"
- 10"-13"

WT/LBS

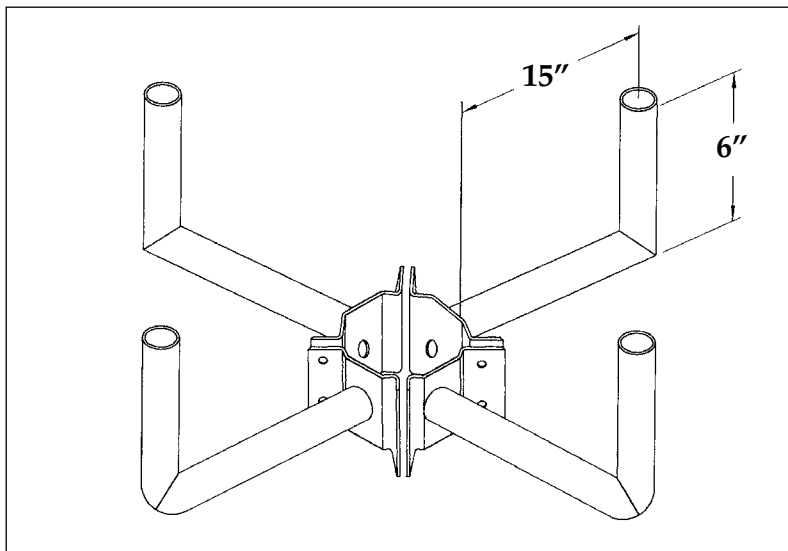
- 28
- 28

WRAP AROUND BRACKET – THREE ARM**CONCRETE & STEEL POLE MOUNTING****FOR ROUND POLES**

- All brackets shipped complete with hardware
- Finish: Primer
- For hot dip galvanized, substitute "G" in place of "P"

STEEL

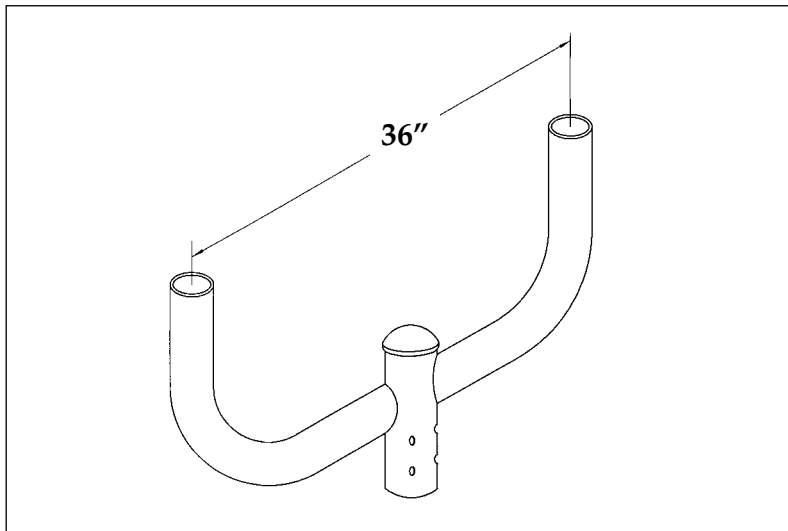
CATALOG NO.	POLE DIA.	WT/LBS
◆ W3-P-7-10	7"-10"	32
◆ W3-P-10-13	10"-13"	35

WRAP AROUND BRACKET – FOUR ARM**CONCRETE & STEEL POLE MOUNTING****FOR ROUND POLES**

- All brackets shipped complete with hardware
- Finish: Primer
- For hot dip galvanized, substitute "G" in place of "P"

STEEL

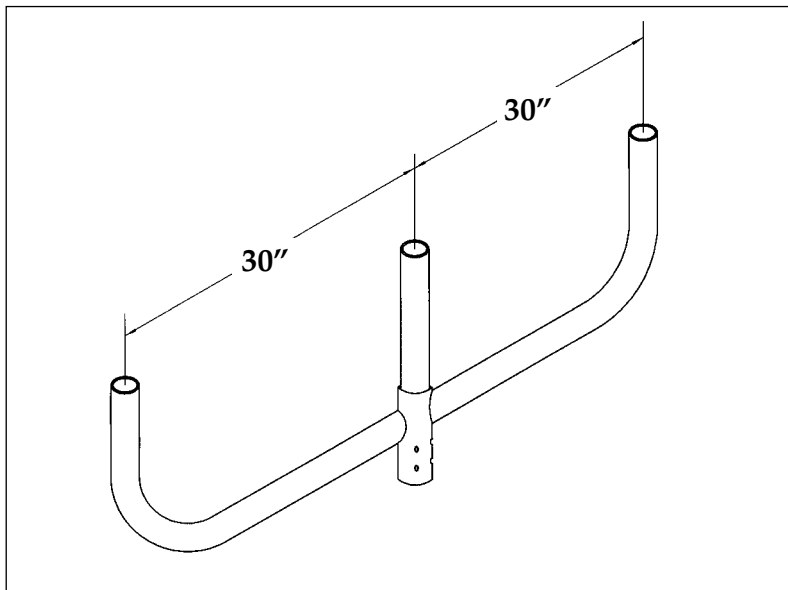
CATALOG NO.	POLE DIA.	WT/LBS
◆ W4-P-7-10	7"-10"	43
◆ W4-P-10-13	10"-13"	43
◆ indicates stock item (in limited quantity)		

BULL HORN BRACKET – TWO LIGHT**POLE TOP MOUNTING**

- Shipped with removable cap and mounting hardware assembled
- Finish: Primer
- For hot dip galvanized, substitute "G" in place of "P"
- For dark bronze, substitute "DB" in place of "P"

STEEL

CATALOG NO.	NUMBER TENONS	POLE TENON SIZE	WT/LBS
◆ S2-S36-2P	2 in line	2-3/8"	20
◆ S2-S36-3P	2 in line	2-7/8"	22
◆ S2-S36-4P	2 in line	4"	25

BULL HORN BRACKET – THREE LIGHT**POLE TOP MOUNTING**

- Shipped with mounting hardware assembled
- Finish: Primer
- For hot dip galvanized, substitute "G" in place of "P"
- For dark bronze, substitute "DB" in place of "P"

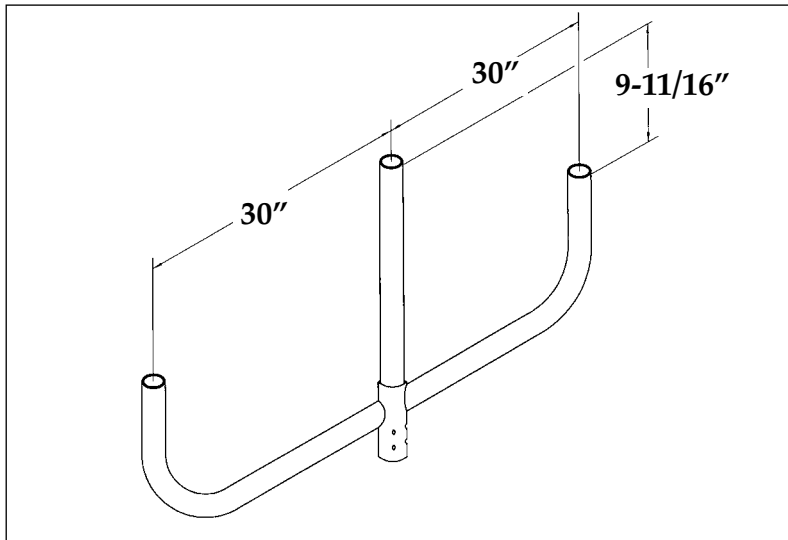
STEEL

CATALOG NO.	NUMBER TENONS	POLE TENON SIZE	WT/LBS
◆ S3-S30-2P	3 in line	2-3/8"	31
◆ S3-S30-3P	3 in line	2-7/8"	33
◆ S3-S36-4P	3 in line	4"	37

◆ indicates stock item (in limited quantity)

BULL HORN BRACKET – THREE LIGHT WITH EXTENDED CENTER TENON

POLE TOP MOUNTING



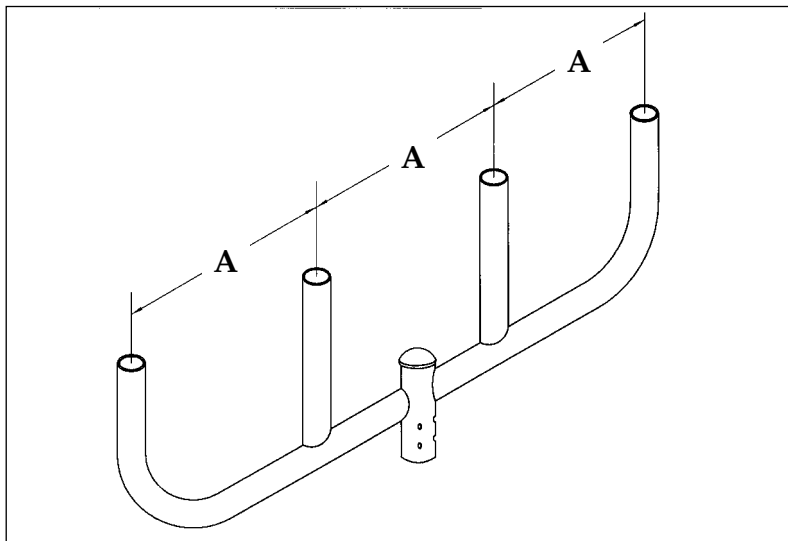
- Shipped with mounting hardware assembled
- Finish: Primer
- For hot dip galvanized, substitute "G" in place of "P"
- For dark bronze, substitute "DB" in place of "P"

STEEL

CATALOG NO.	NUMBER TENONS	POLE TENON SIZE	WT/LBS
S3-S30-2PX	3 in line	2-3/8"	34
S3-S30-3PX	3 in line	2-7/8"	36
S3-S30-4PX	3 in line	4"	40

BULL HORN BRACKET – FOUR LIGHT

POLE TOP MOUNTING

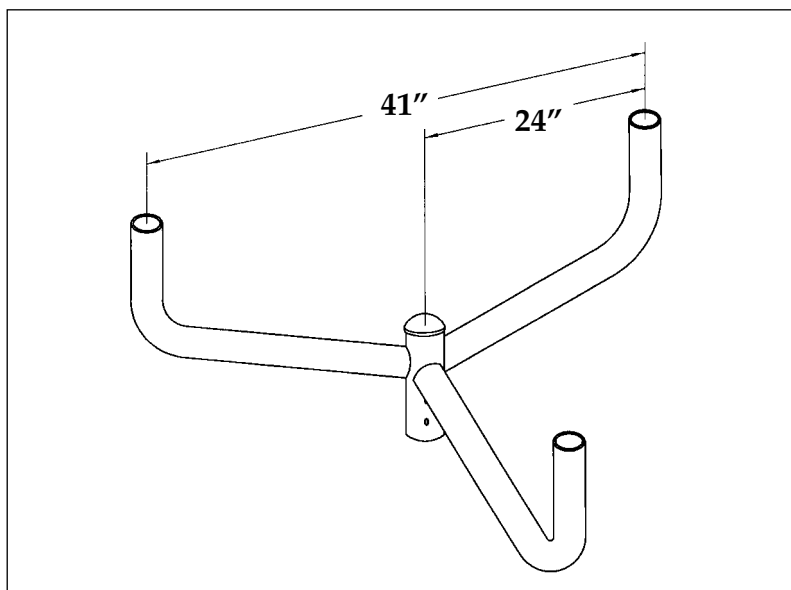


- Shipped with removable cap and mounting hardware assembled
- Finish: Primer
- For hot dip galvanized, substitute "G" in place of "P"
- For dark bronze, substitute "DB" in place of "P"

STEEL

CATALOG NO.	NUMBER TENONS	A	POLE TENON SIZE	WT/LBS
◆ S4-S30-2P	4 in line	30"	2-3/8"	44
S4-S30-3P	4 in line	30"	2-7/8"	46
S4-S36-4P	4 in line	36"	4"	55

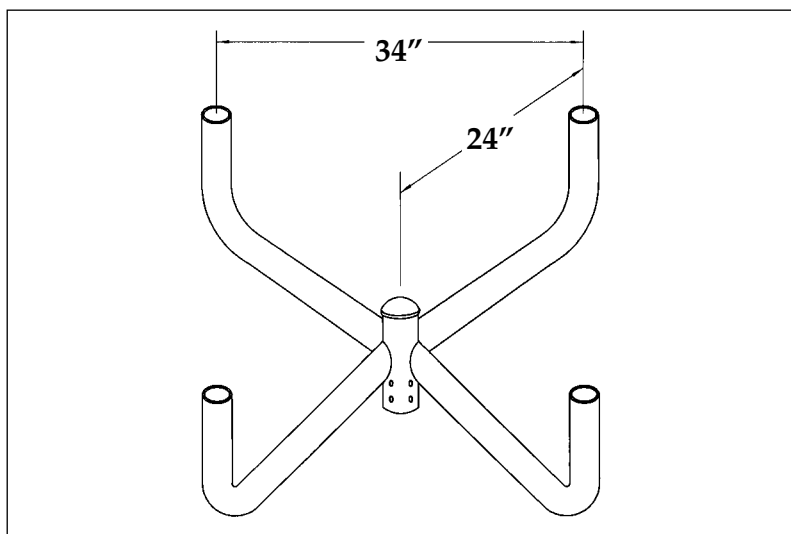
◆ indicates stock item (in limited quantity)

BULL HORN BRACKET – THREE LIGHT**POLE TOP MOUNTING**

- Shipped with removable cap and mounting hardware assembled
- Finish: Primer
- For hot dip galvanized, substitute "G" in place of "P"
- For dark bronze, substitute "DB" in place of "P"

STEEL

CATALOG NO.	NUMBER TENONS	POLE TENON SIZE	WT/LBS
◆ S3-A24-2P	3 @ 120°	2-3/8"	33
S3-A24-3P	3 @ 120°	2-7/8"	35
S3-A24-4P	3 @ 120°	4"	39

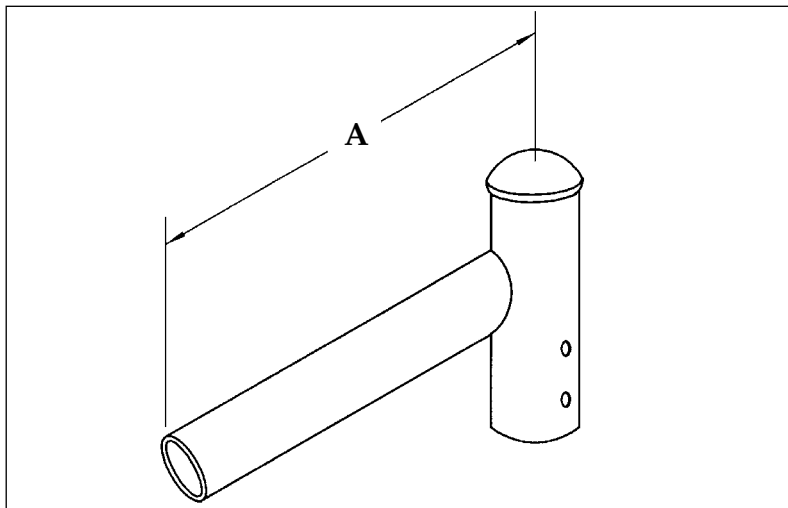
BULL HORN BRACKET – FOUR LIGHT**POLE TOP MOUNTING**

- Shipped with removable cap and mounting hardware assembled
- Finish: Primer
- For hot dip galvanized, substitute "G" in place of "P"
- For dark bronze, substitute "DB" in place of "P"

STEEL

CATALOG NO.	NUMBER TENONS	POLE TENON SIZE	WT/LBS
◆ S4-A24-2P	4 @ 90°	2-3/8"	43
S4-A24-3P	4 @ 90°	2-7/8"	45
S4-A24-4P	4 @ 90°	4"	47

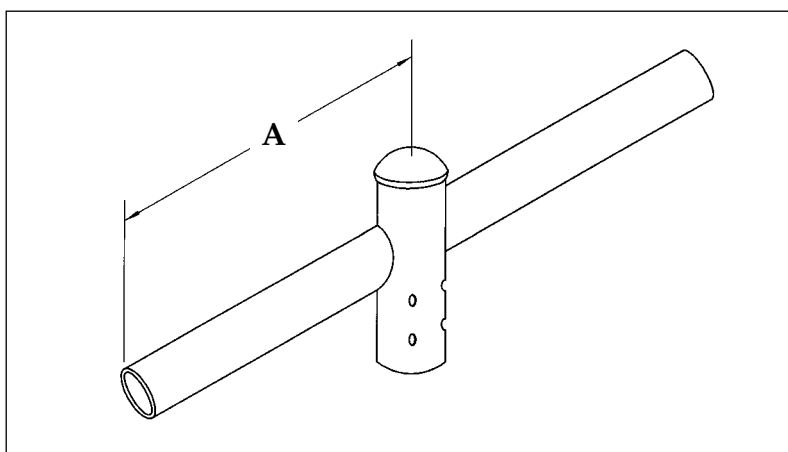
◆ indicates stock item (in limited quantity)

SPOKE BRACKET – ONE ARM**POLE TOP MOUNTING**

- Shipped with removable cap and mounting hardware assembled
- Catalog number shown to slipfit on 2-3/8" pole tenon
- Also available to slipfit 2-7/8" & 4" pole tenons
- Finish: Primer
- For hot dip galvanized, substitute "G" in place of "P"
- For dark bronze, substitute "DB" in place of "P"

STEEL

CATALOG NO.	NUMBER TENONS	A	WT/LBS
SB-100-08-2P	1	8"	6
◆ SB-100-12-2P	1	12"	7
SB-100-15-2P	1	15"	8
◆ SB-100-24-2P	1	24"	11
SB-100-30-2P	1	30"	13
SB-100-36-2P	1	36"	15

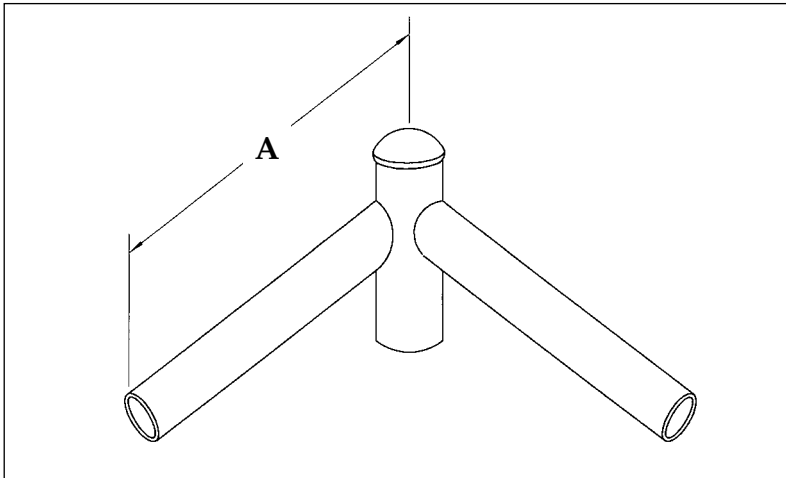
SPOKE BRACKET – TWO ARM**POLE TOP MOUNTING**

- Shipped with removable cap and mounting hardware assembled
- Catalog number shown to slipfit on 2-3/8" pole tenon
- Also available to slipfit 2-7/8" & 4" pole tenons
- Finish: Primer
- For hot dip galvanized, substitute "G" in place of "P"
- For dark bronze, substitute "DB" in place of "P"

STEEL

CATALOG NO.	NUMBER TENONS	A	WT/LBS
SB-218-08-2P	2 @ 180°	8"	9
SB-218-12-2P	2 @ 180°	12"	11
◆ SB-218-15-2P	2 @ 180°	15"	13
SB-218-24-2P	2 @ 180°	24"	18
SB-218-30-2P	2 @ 180°	30"	22
SB-218-36-2P	2 @ 180°	36"	26

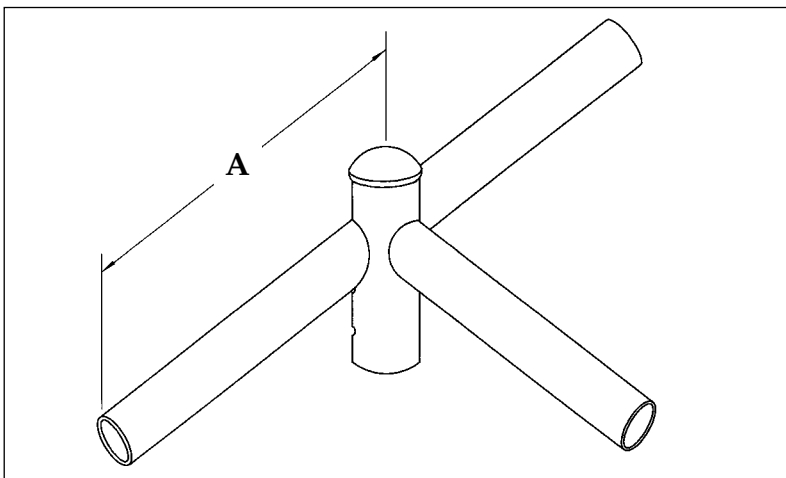
◆ indicates stock item (in limited quantity)

SPOKE BRACKET - TWO ARM**POLE TOP MOUNTING**

- Shipped with removable cap and mounting hardware assembled
- Catalog number shown to slipfit on 2-3/8" pole tenon
- Also available to slipfit 2-7/8" & 4" pole tenons
- Finish: Primer
- For hot dip galvanized, substitute "G" in place of "P"
- For dark bronze, substitute "DB" in place of "P"

STEEL

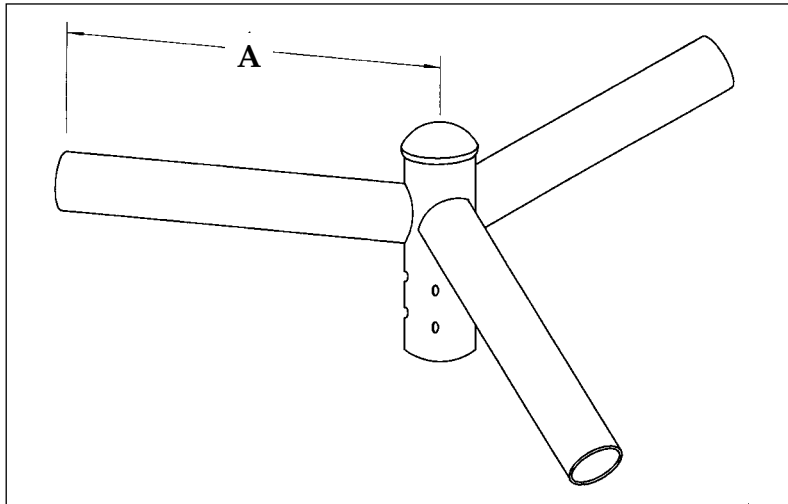
CATALOG NO.	NUMBER TENONS	A	WT/LBS
SB-290-08-2P	2 @ 90°	8"	9
SB-290-12-2P	2 @ 90°	12"	11
SB-290-15-2P	2 @ 90°	15"	13
SB-290-24-2P	2 @ 90°	24"	18
SB-290-30-2P	2 @ 90°	30"	22
SB-290-36-2P	2 @ 90°	36"	26

SPOKE BRACKET - THREE ARM**POLE TOP MOUNTING**

- Shipped with removable cap and mounting hardware assembled
- Catalog number shown to slipfit on 2-3/8" pole tenon
- Also available to slipfit 2-7/8" & 4" pole tenons
- Finish: Primer
- For hot dip galvanized, substitute "G" in place of "P"
- For dark bronze, substitute "DB" in place of "P"

STEEL

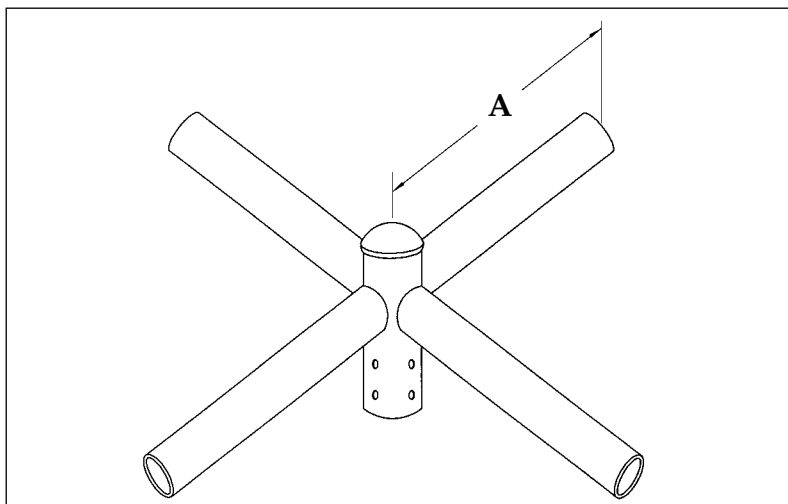
CATALOG NO.	NUMBER TENONS	A	WT/LBS
SB-390-08-2P	3 @ 90°	8"	11
SB-390-12-2P	3 @ 90°	12"	15
SB-390-15-2P	3 @ 90°	15"	17
SB-390-24-2P	3 @ 90°	24"	25
SB-390-30-2P	3 @ 90°	30"	30
SB-390-36-2P	3 @ 90°	36"	36

SPOKE BRACKET - THREE ARM**POLE TOP MOUNTING**

- Shipped with removable cap and mounting hardware assembled
- Catalog number shown to slipfit on 2-3/8" pole tenon
- Also available to slipfit 2-7/8" & 4" pole tenons
- Finish: Primer
- For hot dip galvanized, substitute "G" in place of "P"
- For dark bronze, substitute "DB" in place of "P"

STEEL

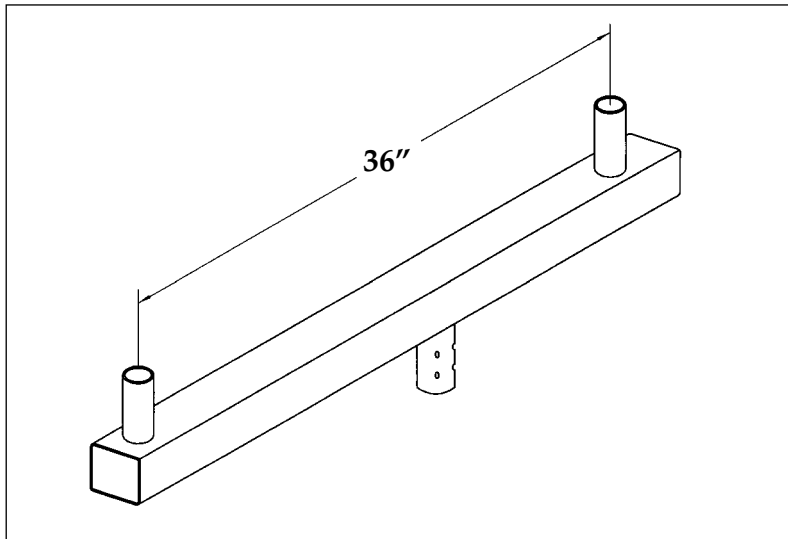
CATALOG NO.	NUMBER TENONS	A	WT/LBS
SB-312-08-2P	3 @ 120°	8"	11
SB-312-12-2P	3 @ 120°	12"	15
SB-312-15-2P	3 @ 120°	15"	17
SB-312-24-2P	3 @ 120°	24"	25
SB-312-30-2P	3 @ 120°	30"	30
SB-312-36-2P	3 @ 120°	36"	36

SPOKE BRACKET - FOUR ARM**POLE TOP MOUNTING**

- Shipped with removable cap and mounting hardware assembled
- Catalog number shown to slipfit on 2-3/8" pole tenon
- Also available to slipfit 2-7/8" & 4" pole tenons
- Finish: Primer
- For hot dip galvanized, substitute "G" in place of "P"
- For dark bronze, substitute "DB" in place of "P"

STEEL

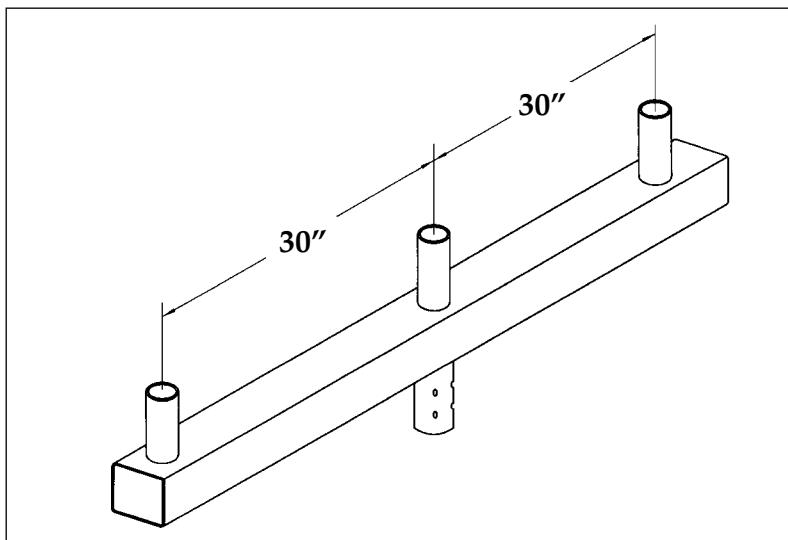
CATALOG NO.	NUMBER TENONS	A	WT/LBS
SB-490-08-2P	4 @ 90°	8"	13
SB-490-12-2P	4 @ 90°	12"	17
SB-490-15-2P	4 @ 90°	15"	21
SB-490-24-2P	4 @ 90°	24"	32
SB-490-30-2P	4 @ 90°	30"	39
SB-490-36-2P	4 @ 90°	36"	47

ROUND SQUARE ROUND BRACKET - TWO LIGHT**POLE TOP MOUNTING**

- Shipped with mounting hardware assembled
- Finish: Primer
- For hot dip galvanized, substitute "G" in place of "P"
- For dark bronze, substitute "DB" in place of "P"

STEEL

CATALOG NO.	NUMBER TENONS	POLE TENON SIZE	WT/LBS
◆ RSR-B2-2P	2 in line	2-3/8"	20
RSR-B2-3P	2 in line	2-7/8"	23
RSR-B2-4P	2 in line	4"	26

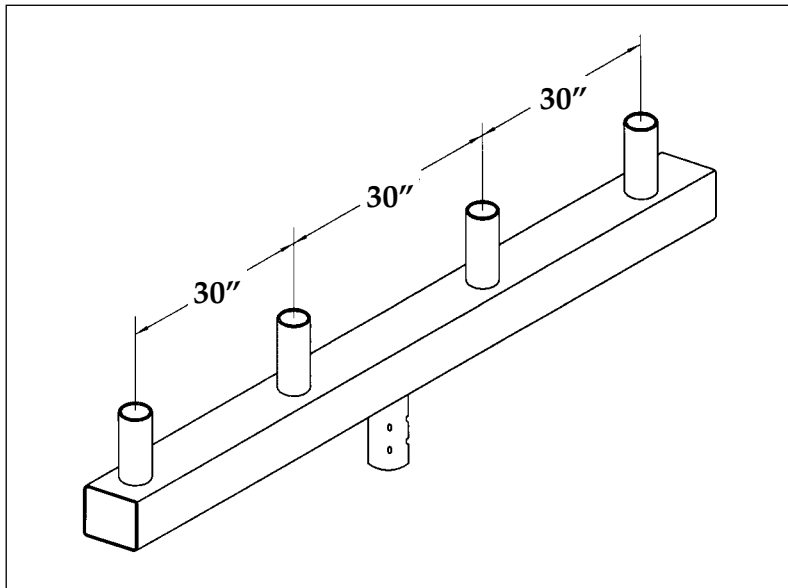
ROUND SQUARE ROUND BRACKET - THREE LIGHT**POLE TOP MOUNTING**

- Shipped with mounting hardware assembled
- Finish: Primer
- For hot dip galvanized, substitute "G" in place of "P"
- For dark bronze, substitute "DB" in place of "P"

STEEL

CATALOG NO.	NUMBER TENONS	POLE TENON SIZE	WT/LBS
◆ RSR-B3-2P	3 in line	2-3/8"	31
RSR-B3-3P	3 in line	2-7/8"	33
RSR-B3-4P	3 in line	4"	37

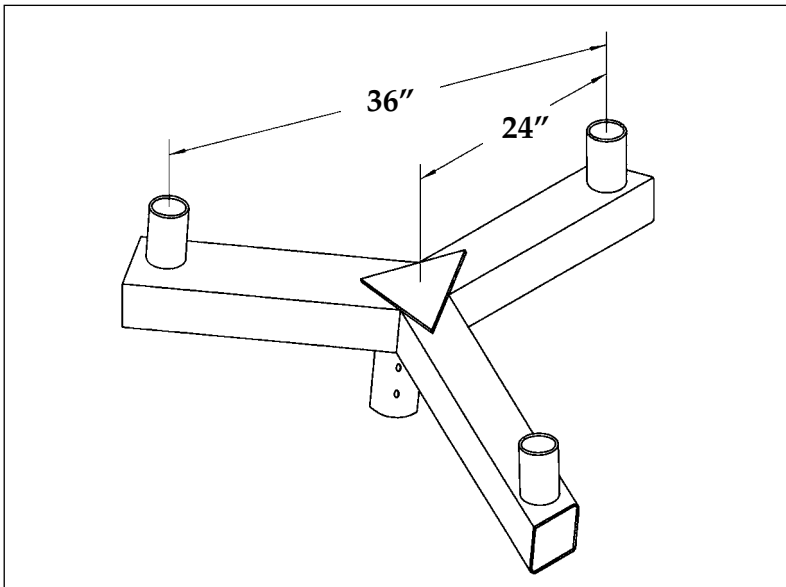
◆ indicates stock item (in limited quantity)

ROUND SQUARE ROUND BRACKET - FOUR LIGHT**POLE TOP MOUNTING**

- Shipped with mounting hardware assembled
- Finish: Primer
- For hot dip galvanized, substitute "G" in place of "P"
- For dark bronze, substitute "DB" in place of "P"

STEEL

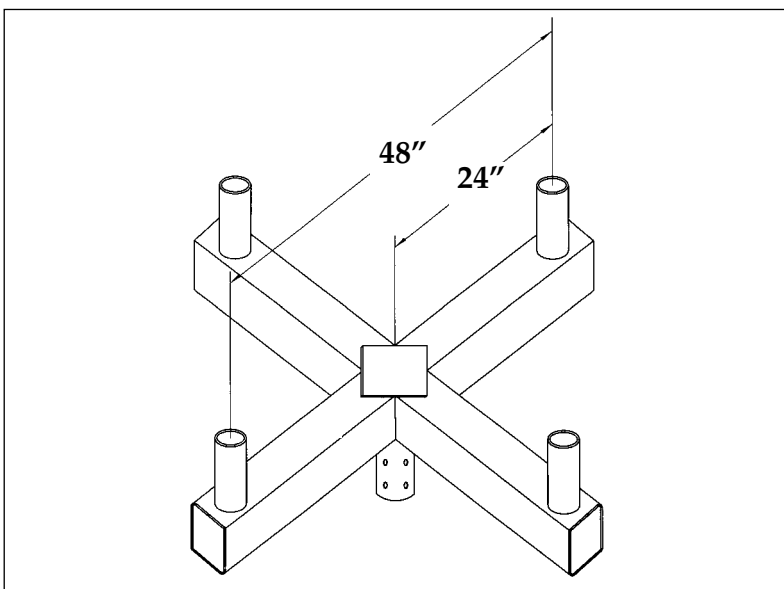
CATALOG NO.	NUMBER TENONS	POLE TENON SIZE	WT/LBS
RSR-B4-2P	4 in line	2-3/8"	44
RSR-B4-3P	4 in line	2-7/8"	46
RSR-B4-4P	4 in line	4"	50

ROUND SQUARE ROUND BRACKET - THREE LIGHT**POLE TOP MOUNTING**

- Shipped with mounting hardware assembled
- Finish: Primer
- For hot dip galvanized, substitute "G" in place of "P"
- For dark bronze, substitute "DB" in place of "P"

STEEL

CATALOG NO.	NUMBER TENONS	POLE TENON SIZE	WT/LBS
RSR-T3-2P	3 @ 120°	2-3/8"	39
RSR-T3-3P	3 @ 120°	2-7/8"	42
RSR-T3-4P	3 @ 120°	4"	46

ROUND SQUARE ROUND BRACKET - FOUR LIGHT**POLE TOP MOUNTING**

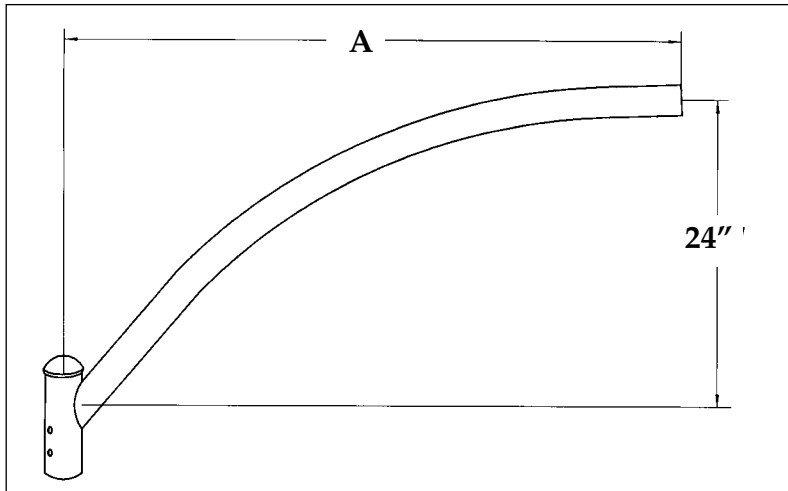
- Shipped with mounting hardware assembled
- Finish: Primer
- For hot dip galvanized, substitute "G" in place of "P"
- For dark bronze, substitute "DB" in place of "P"

STEEL

CATALOG NO.	NUMBER TENONS	POLE TENON SIZE	WT/LBS
RSR-T4-2P	4 @ 90°	2-3/8"	48
RSR-T4-3P	4 @ 90°	2-7/8"	51
RSR-T4-4P	4 @ 90°	4"	55

UPSWEEP BRACKET - ONE LIGHT

POLE TOP MOUNTING



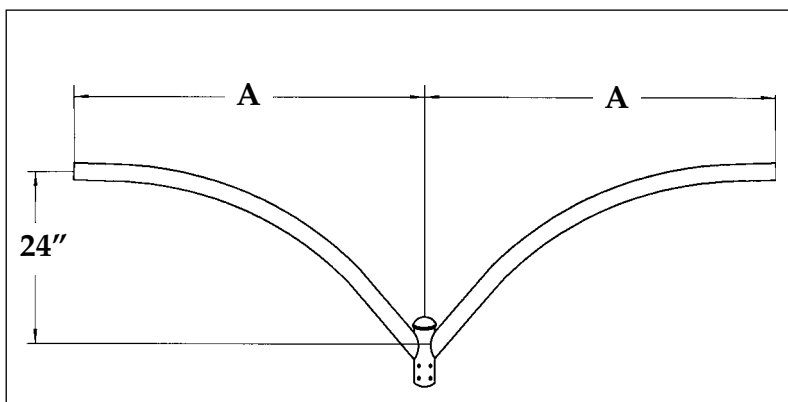
- Shipped with removable cap and mounting hardware assembled
- Finish: Primer
- For hot dip galvanized, substitute "G" in place of "P"
- For dark bronze, substitute "DB" in place of "P"

STEEL

CATALOG NO.	NUMBER ARMS	A	POLE TENON SIZE	WT/LBS
UB1-4-2P	1	48"	2-3/8"	21
UB1-4-3P	1	48"	2-7/8"	23
UB1-4-4P	1	48"	4"	27
◆ UB1-6-2P	1	72"	2-3/8"	28
UB1-6-3P	1	72"	2-7/8"	30
UB1-6-4P	1	72"	4"	34

UPSWEEP BRACKET - TWO LIGHT

POLE TOP MOUNTING

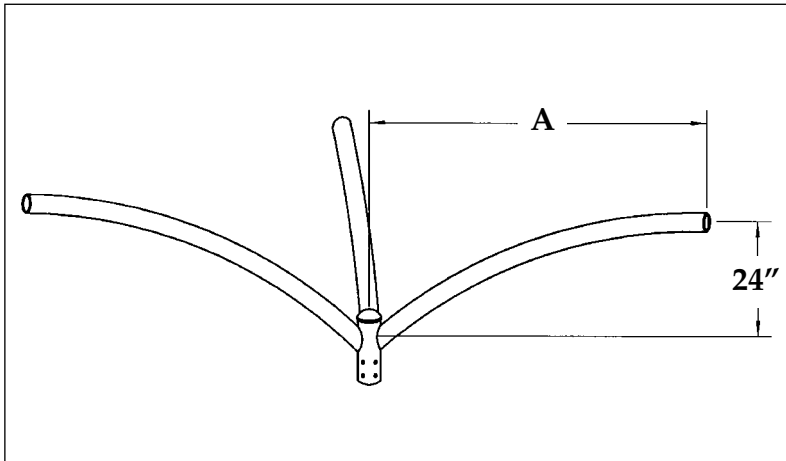


- Shipped with removable cap and mounting hardware assembled
- Finish: Primer
- For hot dip galvanized, substitute "G" in place of "P"
- For dark bronze, substitute "DB" in place of "P"

STEEL

CATALOG NO.	NUMBER ARMS	A	POLE TENON SIZE	WT/LBS
UB2-4-2P	2 @ 180°	48"	2-3/8"	38
UB2-4-3P	2 @ 180°	48"	2-7/8"	40
UB2-4-4P	2 @ 180°	48"	4"	44
◆ UB2-6-2P	2 @ 180°	72"	2-3/8"	52
UB2-6-3P	2 @ 180°	72"	2-7/8"	54
UB2-6-4P	2 @ 180°	72"	4"	58

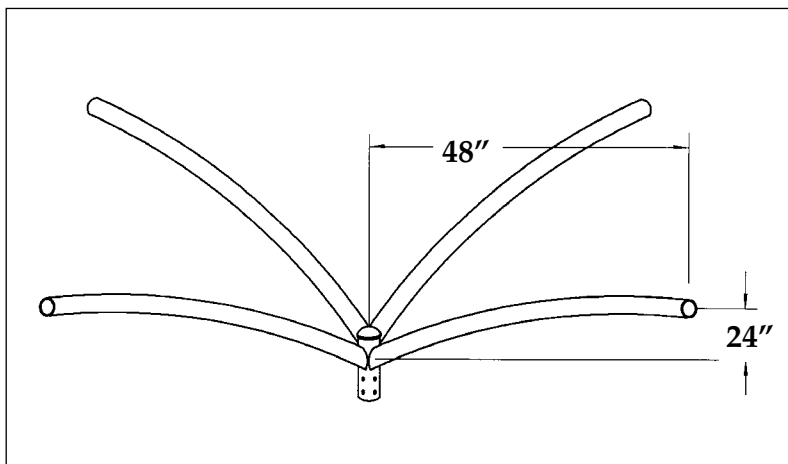
◆ indicates stock item (in limited quantity)

UPSWEEP BRACKET - THREE LIGHT**POLE TOP MOUNTING**

- Shipped with removable cap and mounting hardware assembled
- Finish: Primer
- For hot dip galvanized, substitute "G" in place of "P"
- For dark bronze, substitute "DB" in place of "P"

STEEL

CATALOG NO.	NUMBER ARMS	A	POLE TENON SIZE	WT/LBS
UB3-4-2P	3 @ 120°	48"	2-3/8"	54
UB3-4-3P	3 @ 120°	48"	2-7/8"	56
UB3-4-4P	3 @ 120°	48"	4"	60
UB3-6-2P	3 @ 120°	72"	2-3/8"	77
UB3-6-3P	3 @ 120°	72"	2-7/8"	78
UB3-6-4P	3 @ 120°	72"	4"	82

UPSWEEP BRACKET - FOUR LIGHT**POLE TOP MOUNTING**

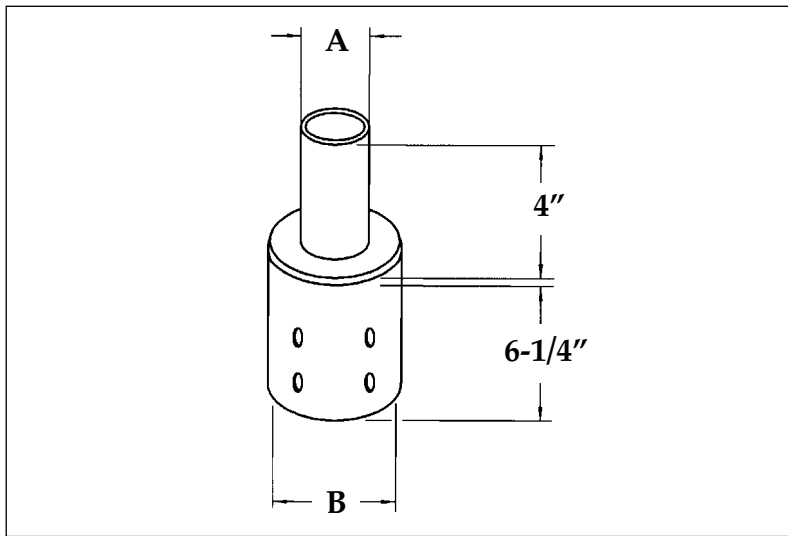
- Shipped with removable cap and mounting hardware assembled
- Finish: Primer
- For hot dip galvanized, substitute "G" in place of "P"
- For dark bronze, substitute "DB" in place of "P"

STEEL

CATALOG NO.	NUMBER ARMS	POLE TENON SIZE	WT/LBS
UB4-4-2P	4 @ 90°	2-3/8"	71
UB4-4-3P	4 @ 90°	2-7/8"	73
UB4-4-4P	4 @ 90°	4"	77

EXTERNAL TENON REDUCER FOR ROUND POLES

POLE TOP MOUNTING



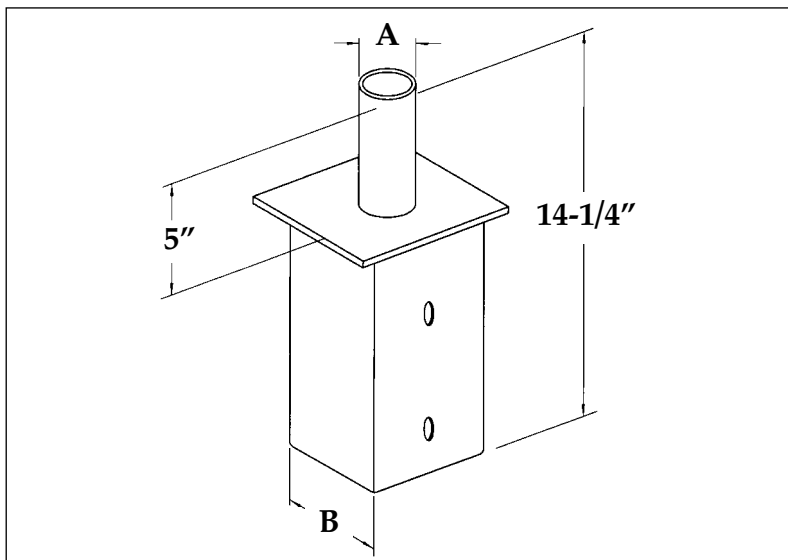
- Custom sizes can be manufactured for specific applications
- Shipped with mounting hardware assembled
- External Mounting
- Finish: Primer
- For hot dip galvanized, substitute "G" in place of "P"

STEEL

CATALOG NO.	A (O.D.)	B (I.D.)	WT/LBS
◆ TR-30-2P	2-3/8"	3-1/4" for 3" O.D. pole top	9
◆ TR-35-2P	2-3/8"	3-13/16" for 3-1/2" O.D. pole top	10
◆ TR-40-2P	2-3/8"	4-1/4" for 4" O.D. pole top	9
TR-40-3P	2-7/8"	4-1/4" for 4" O.D. pole top	10

INTERNAL TENON ADAPTER FOR SQUARE POLES

POLE TOP MOUNTING



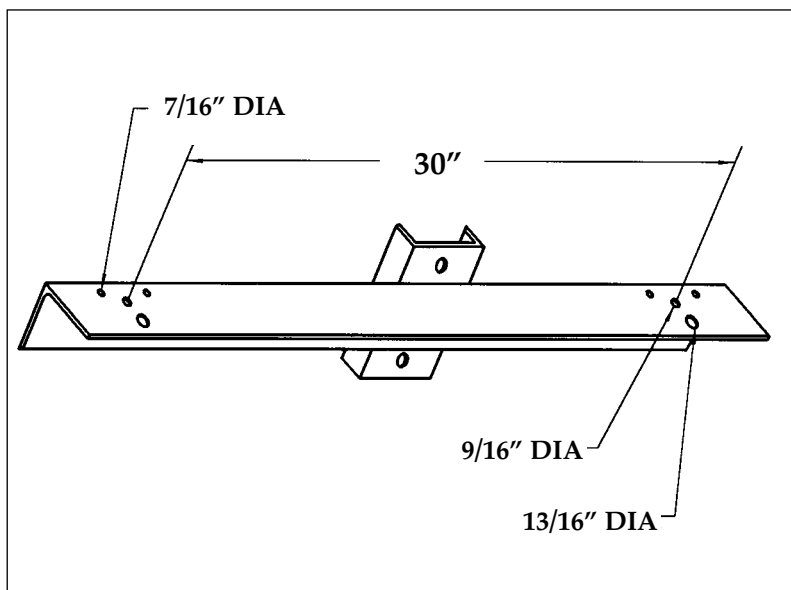
- Custom sizes can be manufactured for specific applications
- Shipped with mounting hardware assembled
- Internal Mounting
- Finish: Dark bronze "DB"
Primer "P"
- For hot dip galvanized, substitute "G"

STEEL

CATALOG NO.	A (O.D.)	B	WT/LBS
◆ RTASQ-4-2DB for 4" square pole	2-3/8"	3"	7
◆ RTASQ-5-2DB for 5" square pole	2-3/8"	4"	9
◆ RTASQ-6-2DB for 6" square pole	2-3/8"	5"	14
RTASQ-4-3.5P for 4" square pole	3-1/2"	3"	9
RTASQ-5-3.5P for 5" square pole	3-1/2"	4"	9
RTASQ-6-3.5P for 6" square pole	3-1/2"	5"	14

◆ indicates stock item (in limited quantity)

TWO LIGHT BRACKET



SPORTS LIGHTING

- Mounting hardware not included
- Finish: Primer "P" or Hot dip galvanized "G"
- Minimum pole diameter for mounting is 4"
- For square poles and diameters less than 4" – see page 36

STEEL

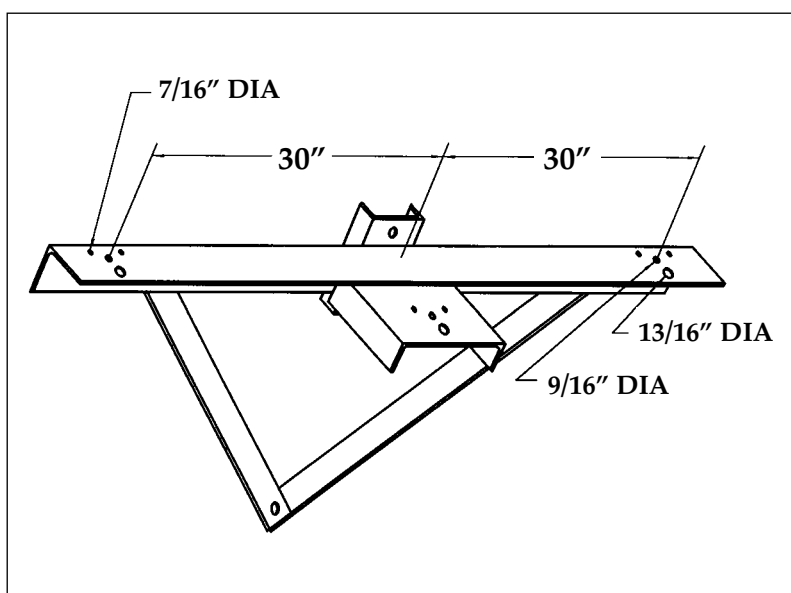
CATALOG NO.

- ◆ S2-T2-WPP
- ◆ S2-T2-WPG

WT/LBS

- 21
- 23

THREE LIGHT BRACKET WITH STANDOFF



SPORTS LIGHTING

- Mounting hardware not included
- Finish: Primer "P" or Hot dip galvanized "G"
- Minimum pole diameter for mounting is 4"
- For square poles and diameters less than 4" – see page 36

STEEL

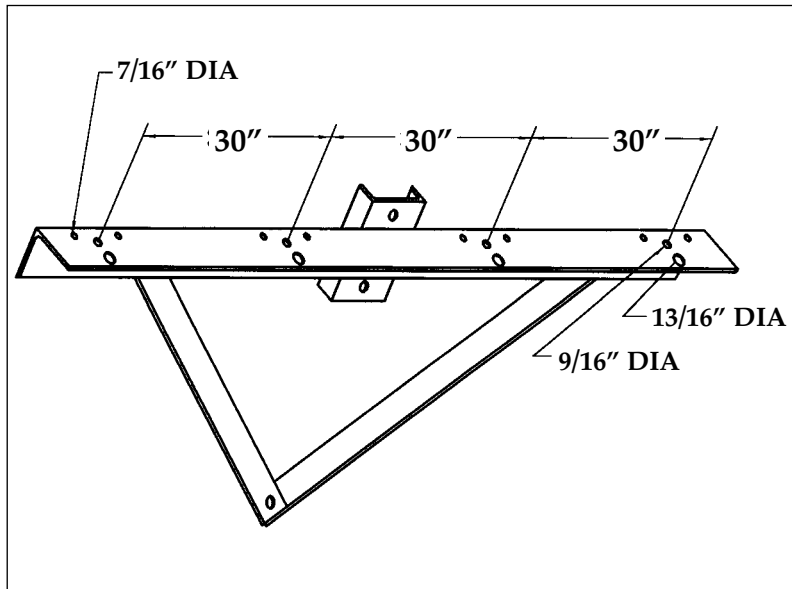
CATALOG NO.

- ◆ S3-T3-WPPM
- ◆ S3-T3-WPGM
- ◆ indicates stock item (in limited quantity)

WT/LBS

- 68
- 73

FOUR LIGHT BRACKET



SPORTS LIGHTING

- Mounting hardware not included
- Finish: Primer "P" or Hot dip galvanized "G"
- Minimum pole diameter for mounting is 4"
- For square poles and diameters less than 4" – see page 36

STEEL

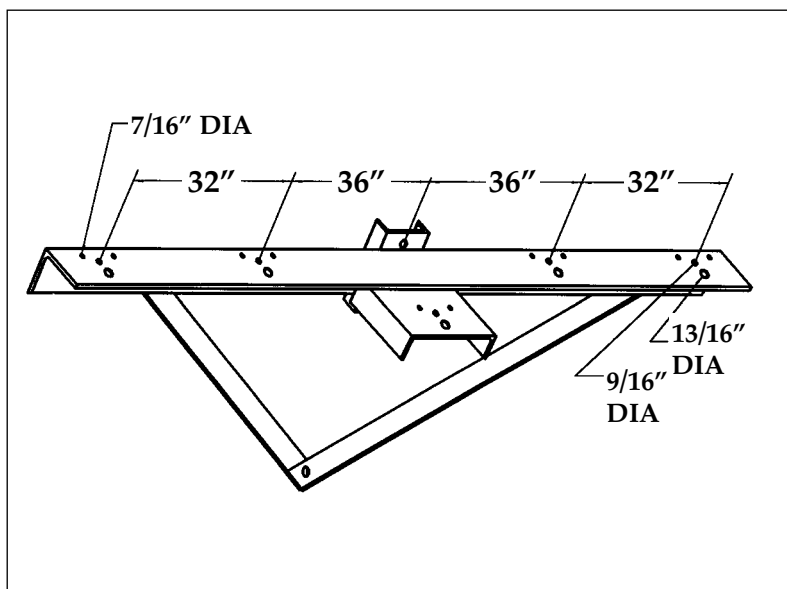
CATALOG NO.

- ◆ S4-T4-WPP
- ◆ S4-T4-WPG

WT/LBS

89
96

FIVE LIGHT BRACKET WITH STANDOFF



SPORTS LIGHTING

- Mounting hardware not included
- Finish: Primer "P" or Hot dip galvanized "G"
- Minimum pole diameter for mounting is 4"
- For square poles and diameters less than 4" – see page 36

STEEL

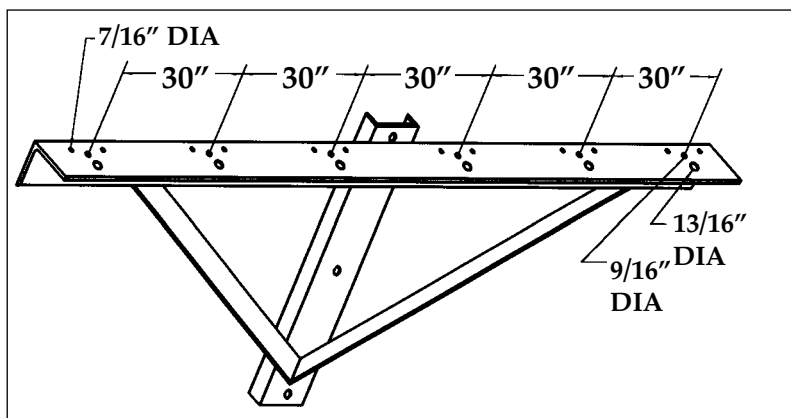
CATALOG NO.

- S5-T5-WPPM
- ◆ S5-T5-WPGM
- ◆ indicates stock item (in limited quantity)

WT/LBS

130
142

SIX LIGHT BRACKET



SPORTS LIGHTING

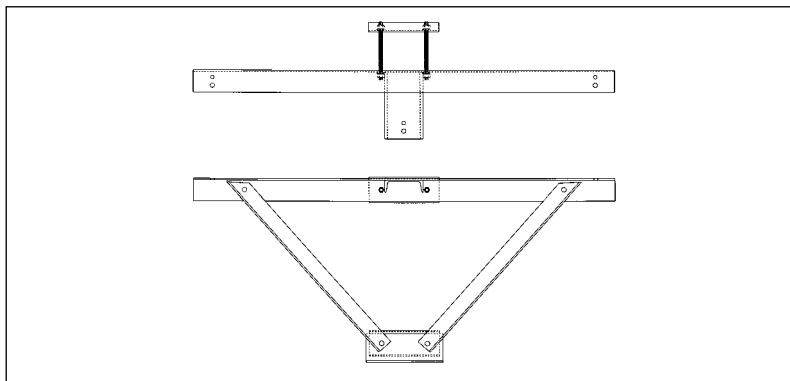
- Mounting hardware not included
- Finish: Primer "P" or Hot dip galvanized "G"
- Minimum pole diameter for mounting is 4"
- See page 38 for square poles and diameters less than 4"

STEEL

CATALOG NO.	WT/LBS
S6-T6-WPP	221
◆ S6-T6-WPG	239

◆ indicates stock item (in limited quantity)

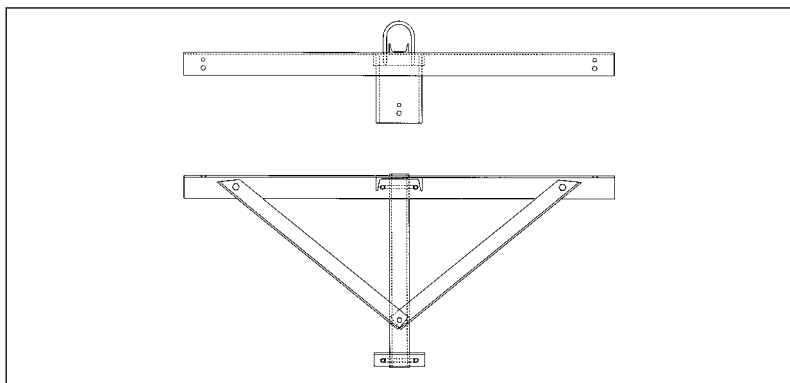
LIGHTING BRACKETS FOR SQUARE POLES



SPORTS LIGHTING

- Two to six lights
- Mounting hardware included
- Finish: Primer or Hot dip galvanized
- Indicate pole size when ordering

LIGHTING BRACKETS FOR ROUND POLES

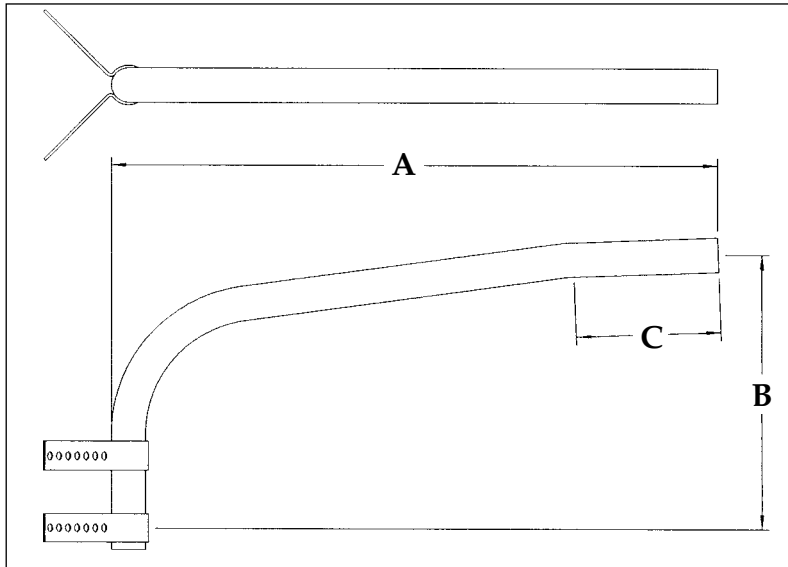


SPORTS LIGHTING

- Two to six lights
- Mounting hardware included
- Finish: Primer or Hot dip galvanized
- Indicate pole size when ordering

"E" SERIES - CANTILEVER STYLE BRACKET

CORNER MOUNTING



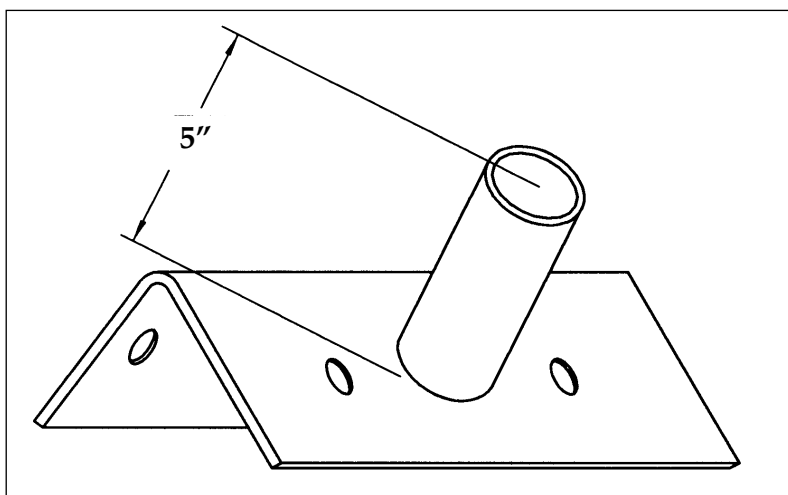
- Mounting hardware not included
- Finish: Hot dip galvanized

STEEL

CATALOG NO.	PIPE SIZE	NOM. LGTH.	A	B	C	WT/LBS
E125S026K	1-1/4"	2'-6"	30"	15"	10"	10
E125S040K	1-1/4"	4'	42"	19"	10"	12
E125S060K	1-1/4"	6'	66"	24"	12"	16
E200S026K	2"	2'-6"	30"	15"	10"	16
E200S040K	2"	4'	42"	19"	10"	19
E200S060K	2"	6'	66"	24"	12"	26
E200S080K	2"	8'	90"	30"	15"	31

PARAPET BRACKET

CORNER MOUNTING



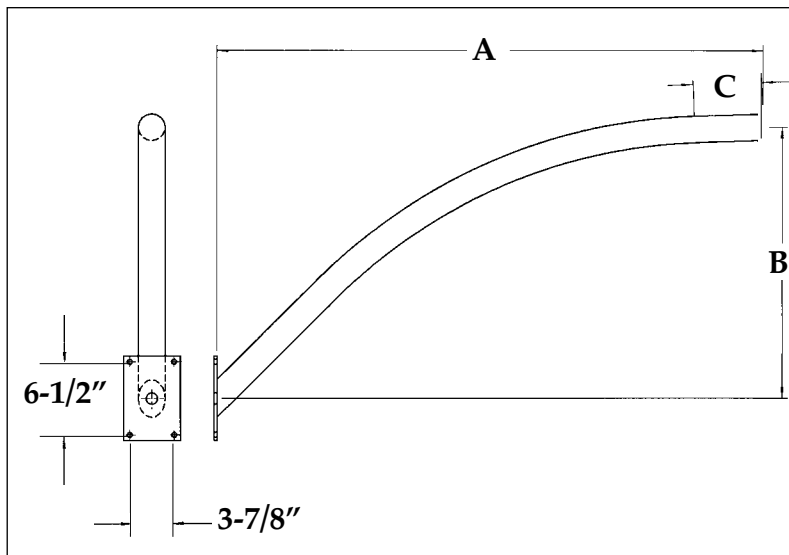
- Mounting hardware not included
- Finish: Primer
- For hot dip galvanized, substitute "G" in place of "P"

STEEL

CATALOG NO.	PIPE SIZE	WT/LBS
◆ PC-2P	2"	8

◆ indicates stock item (in limited quantity)

"J" SERIES - CONTINUOUS UPSWEEP STYLE BRACKET WALL MOUNTING

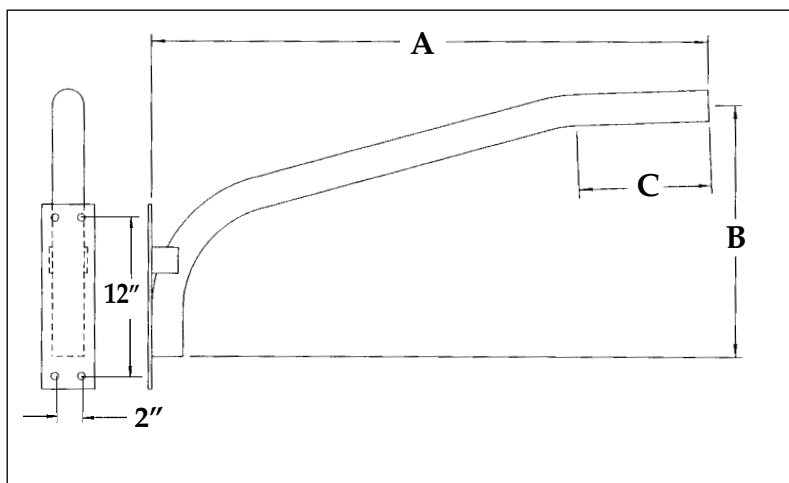


- Mounting hardware not included
- Finish: Hot dip galvanized

STEEL

CATALOG NO.	PIPE SIZE	NOM. LGTH.	A	B	C	WT/LBS
J200S040F	2"	4'	48"	24"	6"	20
J200S060F	2"	6'	72"	30"	12"	28
◆ J200S080F	2"	8'	90"	25"	27"	34

"E" SERIES - CANTILEVER STYLE BRACKET WALL MOUNTING



- Mounting hardware not included
- Finish: Hot dip galvanized

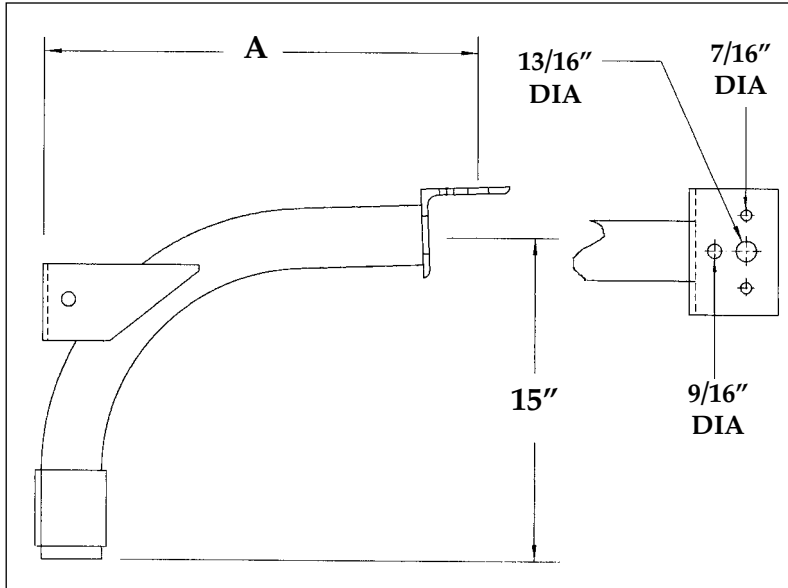
STEEL

CATALOG NO.	PIPE SIZE	NOM. LGTH.	A	B	C	WT/LBS
E125S026F	1-1/4"	2'-6"	30"	15"	10"	11
E125S040F	1-1/4"	4'	42"	19"	10"	13
E125S060F	1-1/4"	6'	66"	24"	12"	18
E200S026F	2"	2'-6"	30"	15"	10"	17
E200S040F	2"	4'	42"	19"	10"	22
E200S060F	2"	6'	66"	24"	12"	30
E200S080F	2"	8'	90"	30"	15"	38

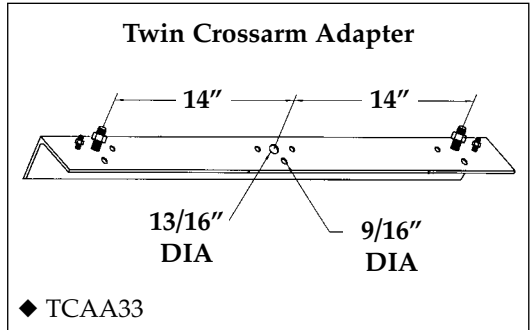
◆ indicates stock item (in limited quantity)

"P" SERIES - CROSS ARM BRACKET

WALL MOUNTING



- Fixture mounting hardware included
- Finish: hot dip galvanized
- For primer, substitute "P" in place of "S"

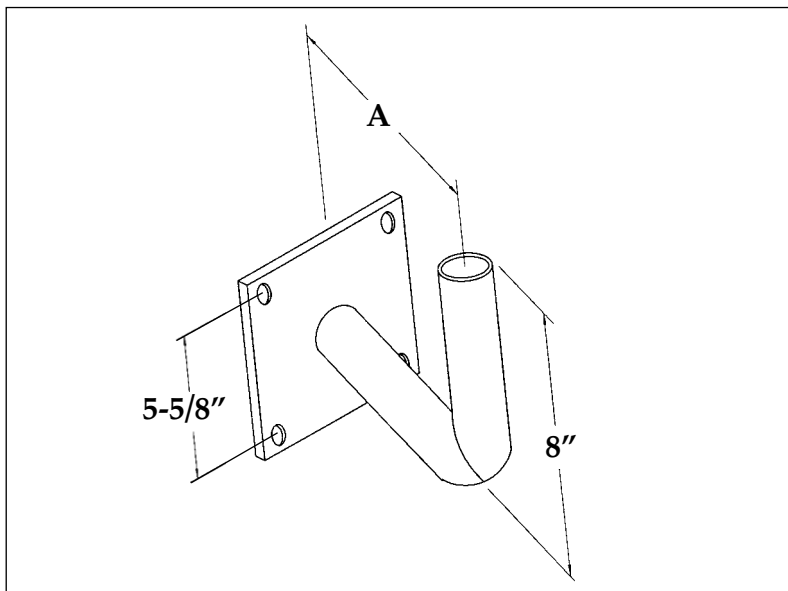


STEEL

CATALOG NO.	PIPE SIZE	NOM. LGTH.	A	WT/LBS
◆ P200S016CW	2"	1'-6"	18"	13
P200S040CW	2"	4'	48"	20

HEAVY RIGHT ANGLE BRACKET

WALL MOUNTING

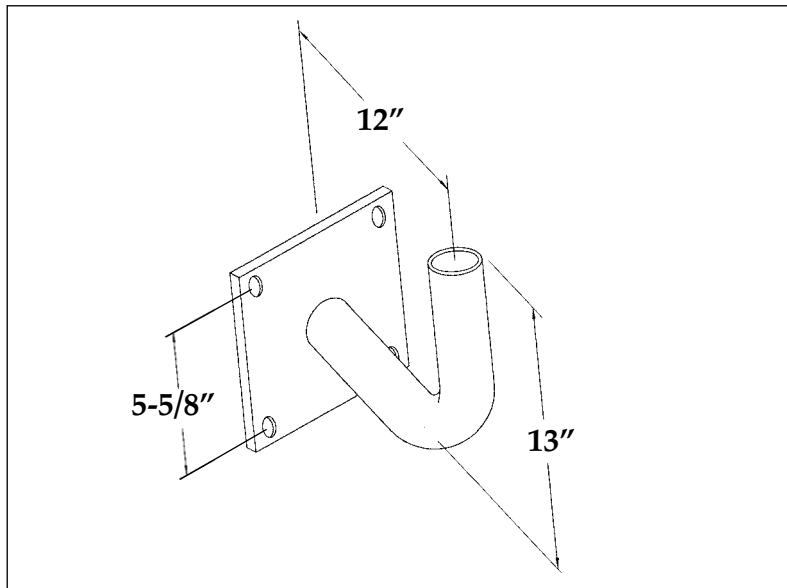


- Mounting hardware not included
- 9/16" diameter mounting holes
- 7" square mounting plate
- Finish: Primer
- For hot dip galvanized, substitute "G" in place of "P"
- For dark bronze, substitute "DB" in place of "P"

STEEL

CATALOG NO.	PIPE SIZE	A	WT/LBS
◆ RABH-P	2"	8-1/2"	11
◆ RABH14-P	2"	14"	12

◆ indicates stock item (in limited quantity)

RIGHT ANGLE BRACKET**WALL MOUNTING**

- Mounting hardware not included
- 9/16" diameter mounting holes
- 7" square mounting plate
- Finish: Primer
- For hot dip galvanized, substitute "G" in place of "P"
- For dark bronze, substitute "DB" in place of "P"

STEEL**CATALOG NO.**

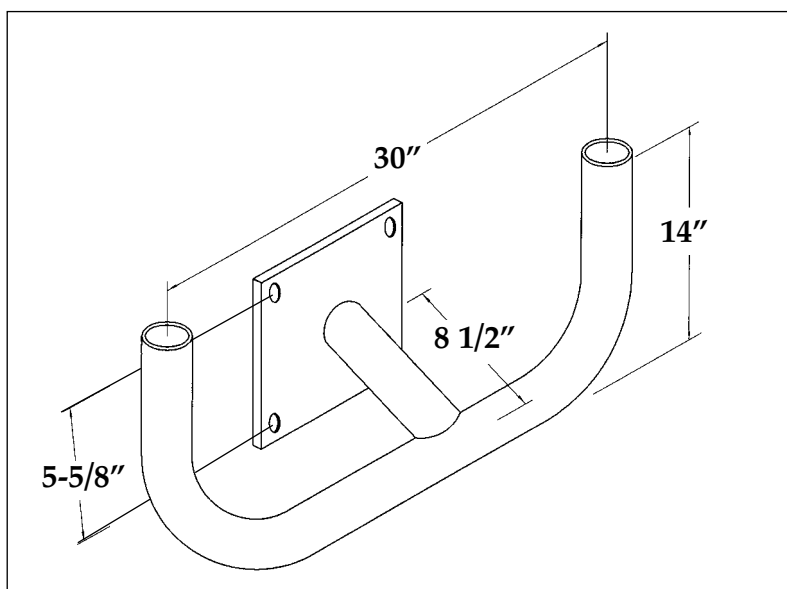
◆ RAB-P

PIPE SIZE

2"

WT/LBS

9

DOUBLE RIGHT ANGLE BRACKET**WALL MOUNTING**

- Mounting hardware not included
- 9/16" diameter mounting holes
- 7" square mounting plate
- Finish: Primer
- For hot dip galvanized, substitute "G" in place of "P"
- For dark bronze, substitute "DB" in place of "P"

STEEL**CATALOG NO.**

◆ DRAB-P

◆ indicates stock item (in limited quantity)

PIPE SIZE

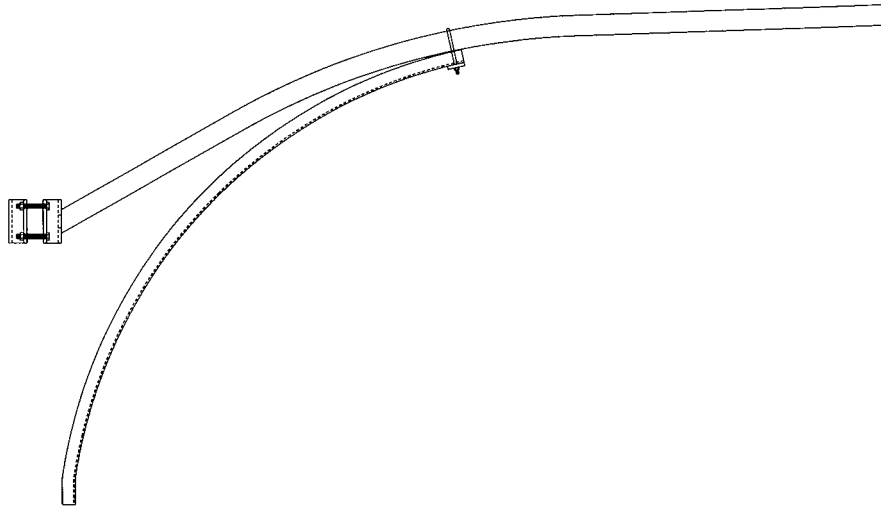
2"

WT/LBS

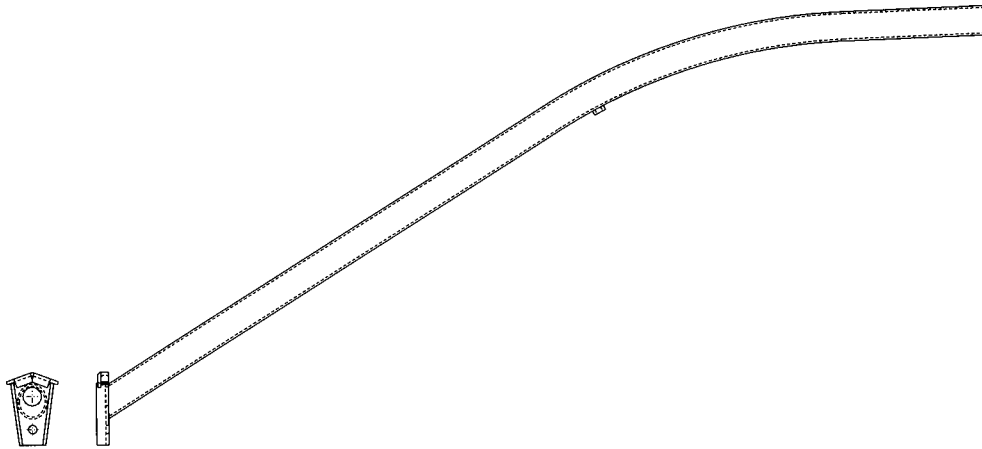
23

UPSWEEP WRAP BRACKETS WITH UNDERBRACE

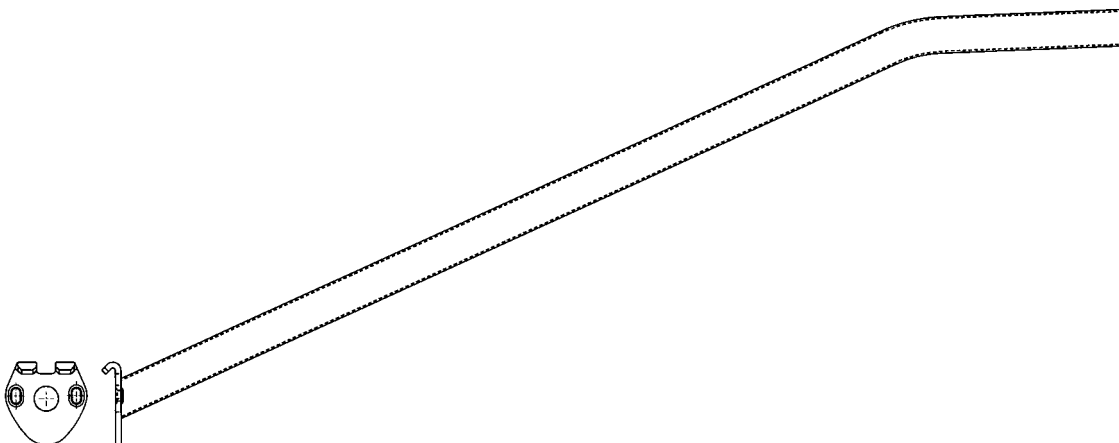
FOR ROUND POLES



UPSWEEP BRACKETS WITH SINGLE BOLT SIMPLEX

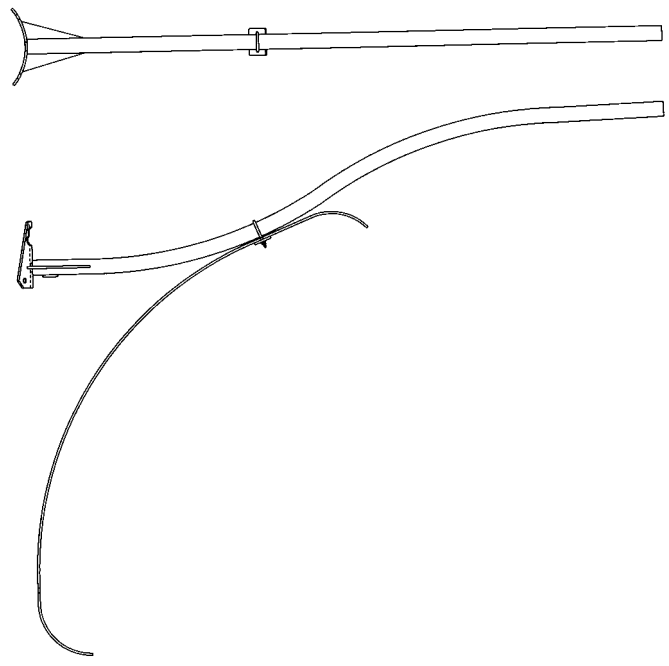


CANTILEVER ARMS W/ 2-BOLT SIMPLEX BRACKET

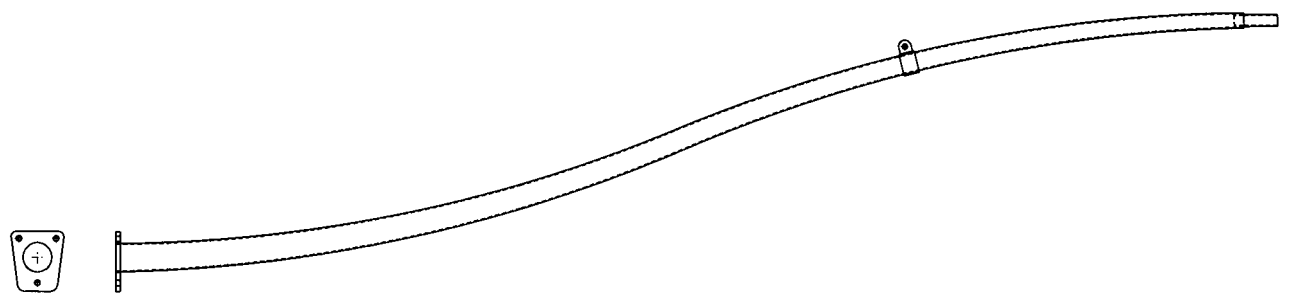


DECORATIVE DOUBLE CURVE BRACKETS

FOR WOOD POLES

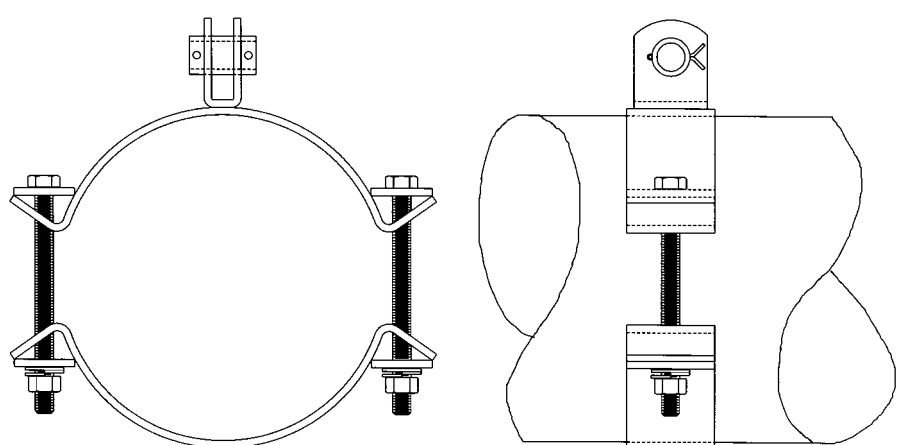


STEEL TAPERED ARMS



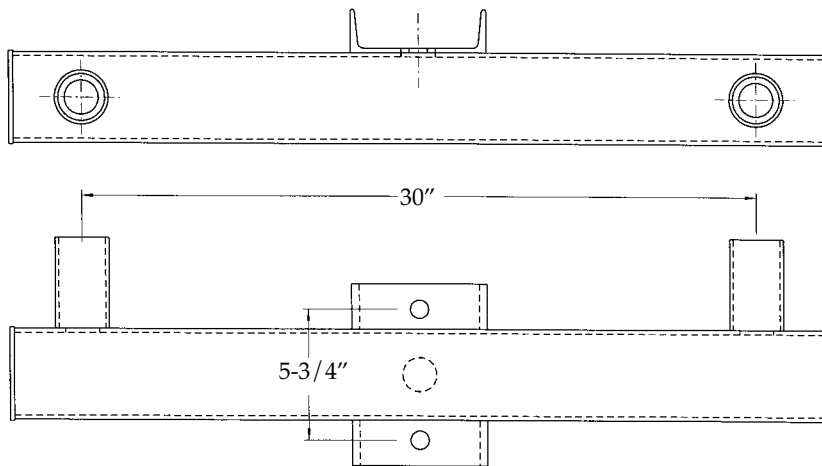
SPAN WIRE CLAMPS

FOR ROUND POLES

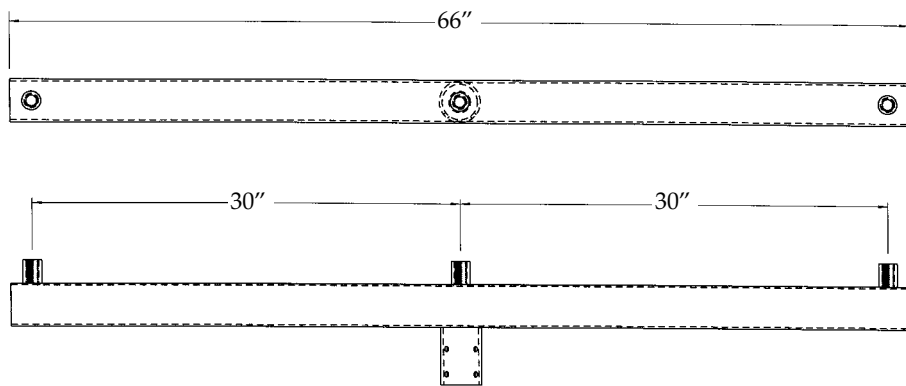


ROUND SQUARE ROUND BRACKETS

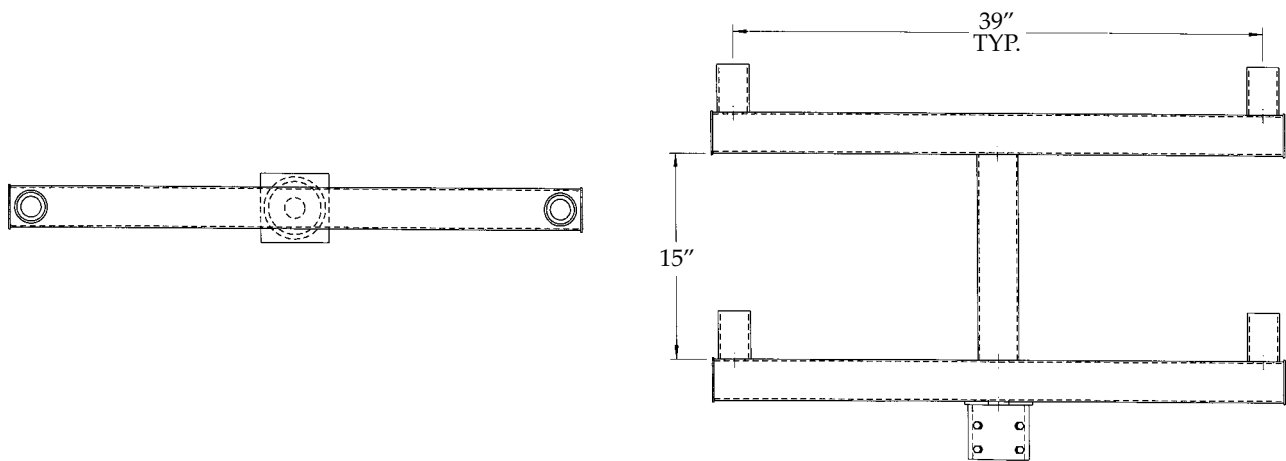
FOR CONCRETE POLES



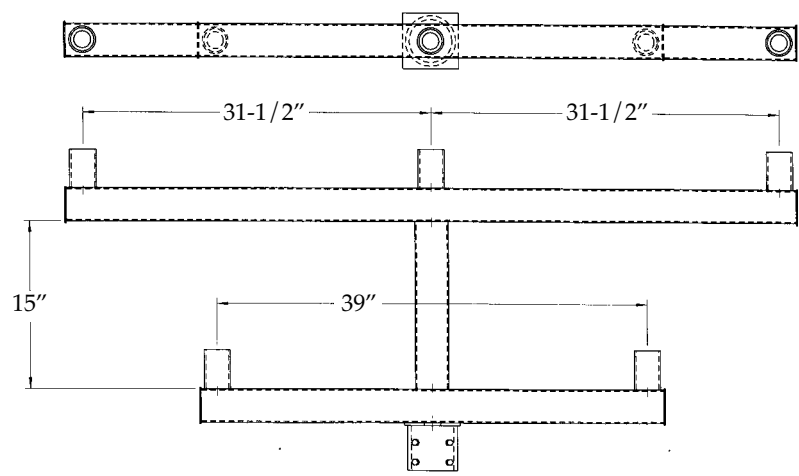
ROUND SQUARE ROUND BRACKETS W/ COUPLINGS



ROUND SQUARE ROUND RACK - FOUR FIXTURE

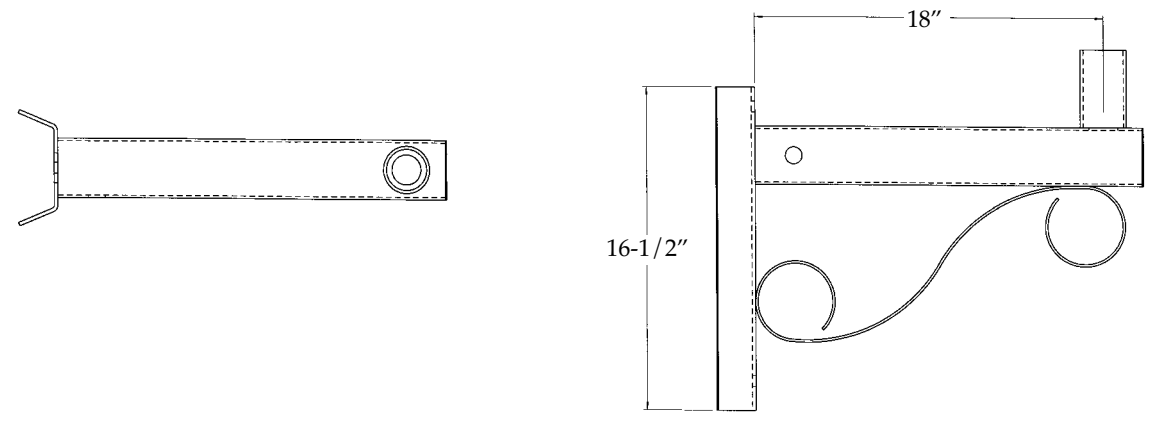


ROUND SQUARE ROUND RACK – FIVE FIXTURE

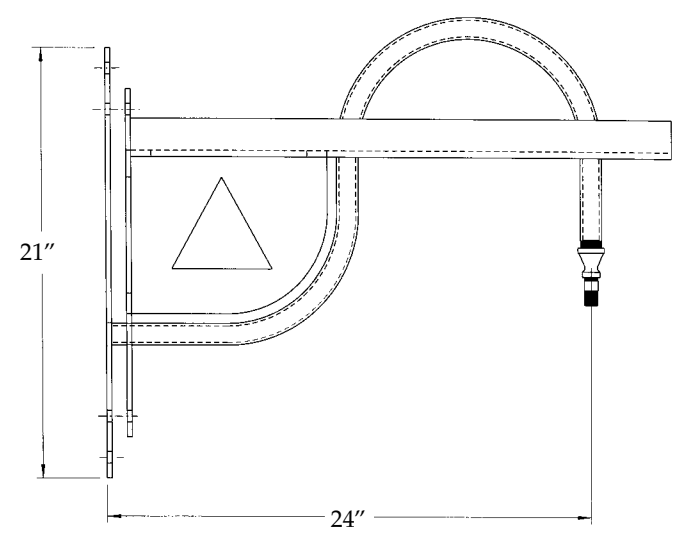


SQUARE SIDE MOUNT BRACKETS WITH SCROLL

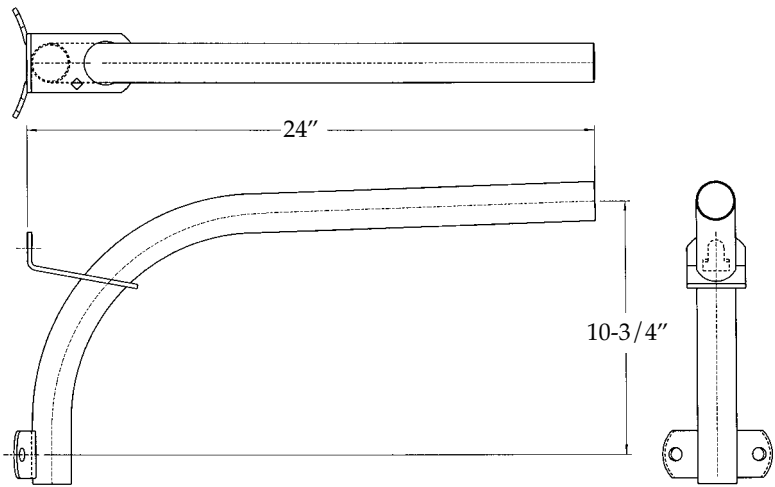
FOR ROUND POLES



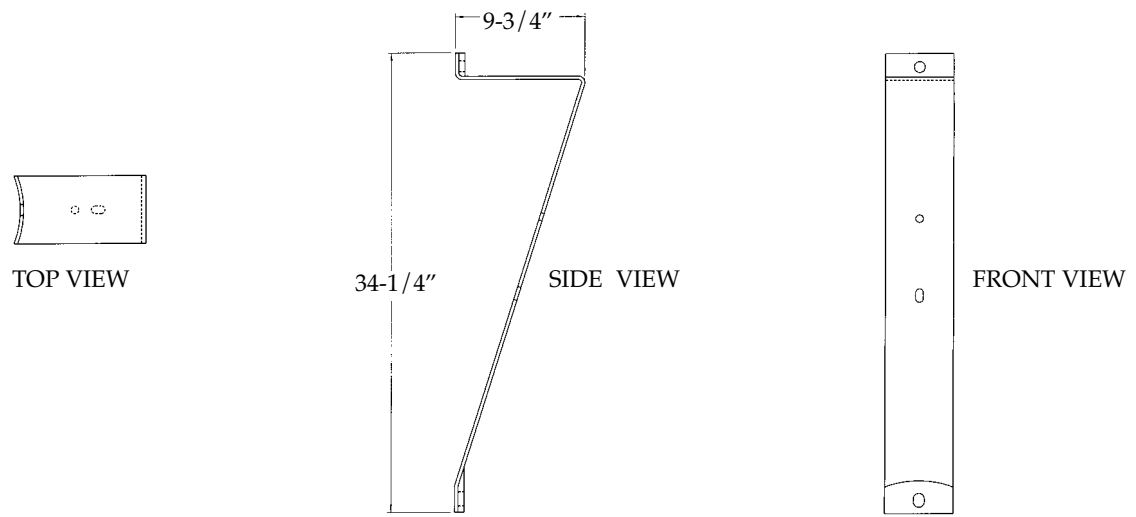
DECORATIVE WALL MOUNT BRACKETS



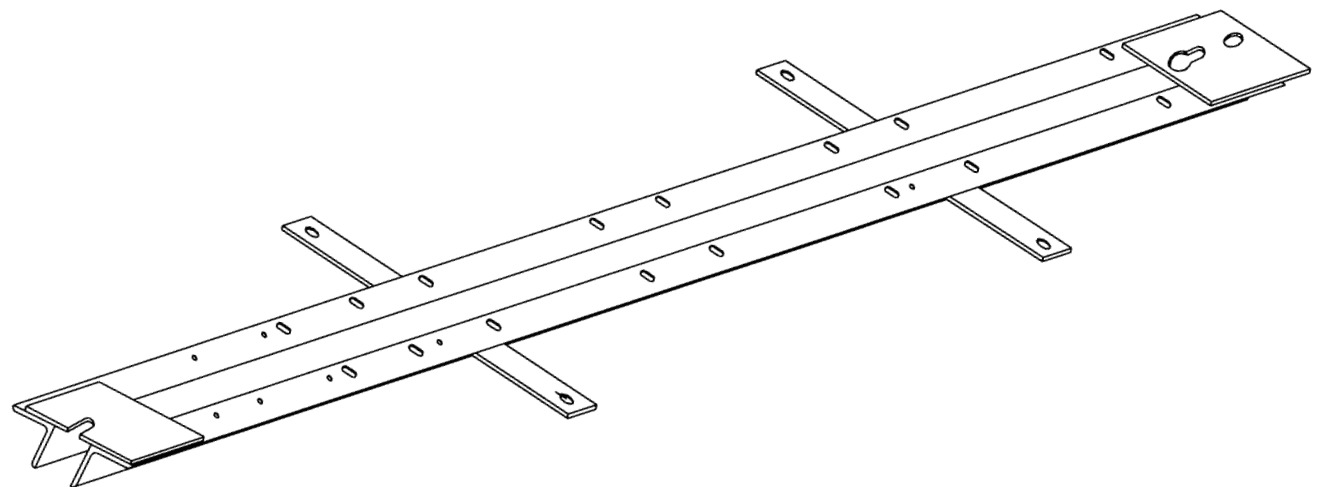
WOOD POLE MOUNTING BRACKETS



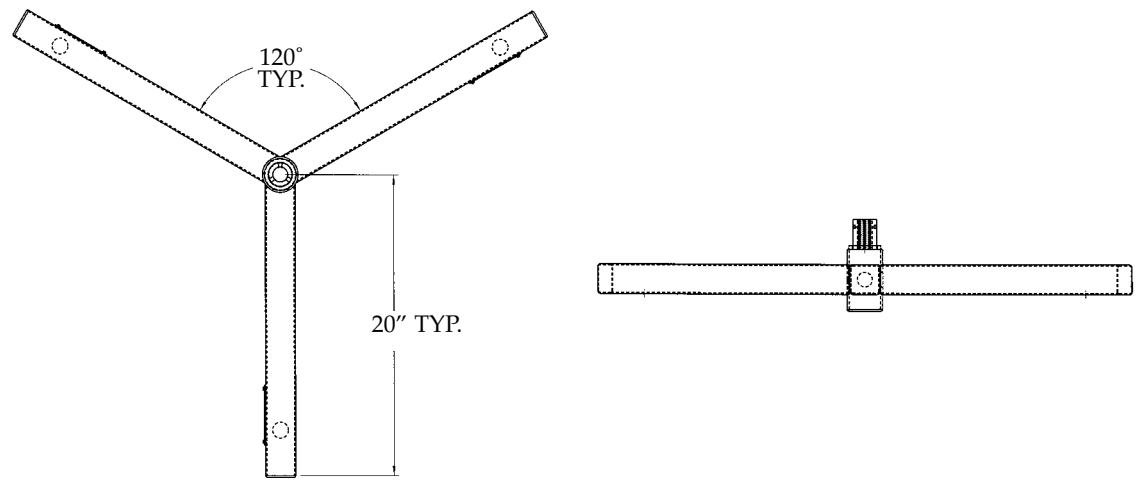
VERTICAL MOUNTING BRACKETS



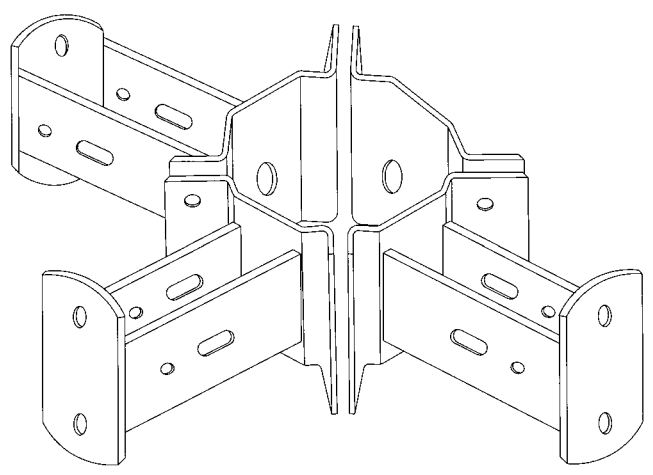
ALUMINUM VERTICAL BRACKETS



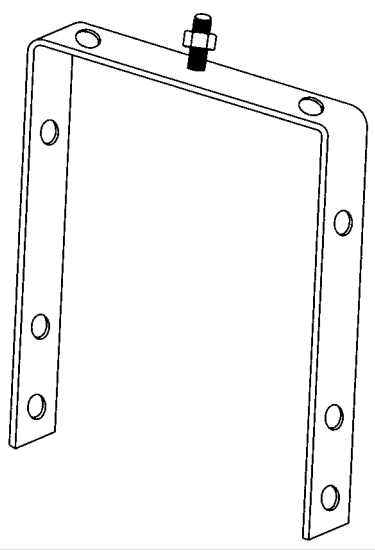
ROUND SQUARE TENON BRACKETS



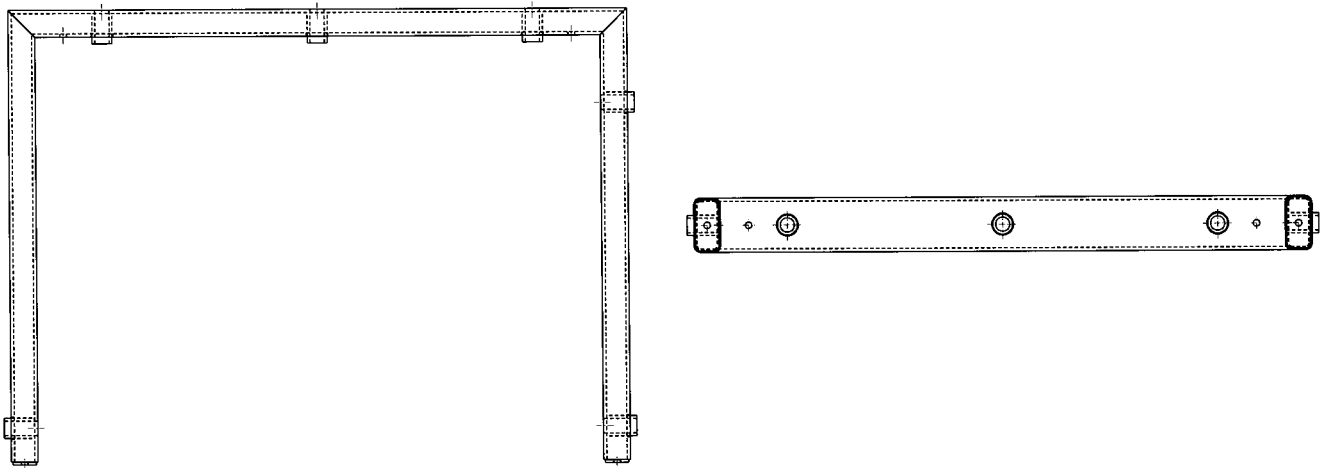
TRANSFORMER MOUNTING BRACKETS



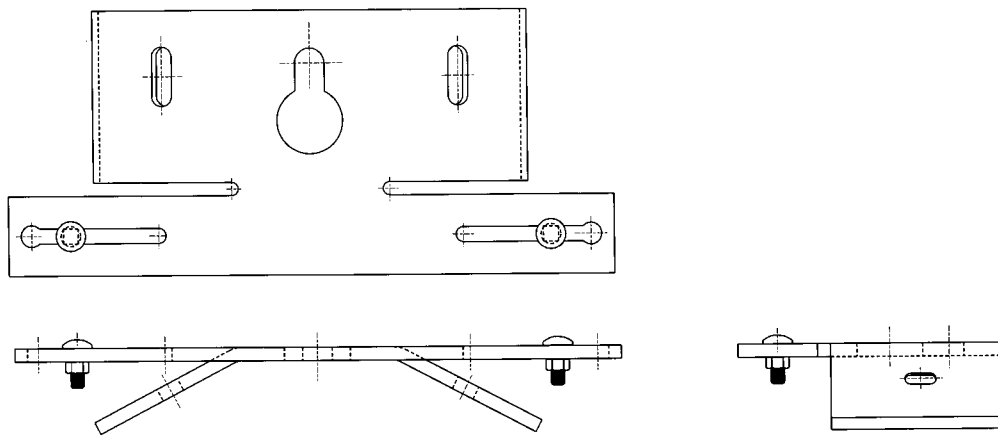
CONDUIT STAND OFF BRACKETS



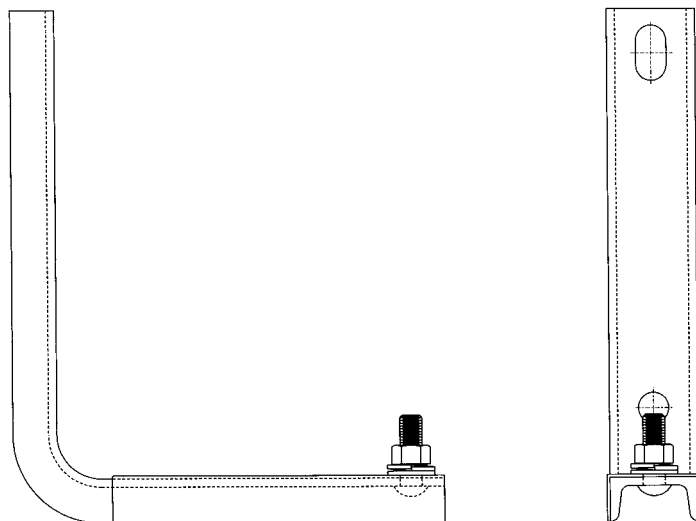
MOUNTING YOKES FOR SPEAKERS



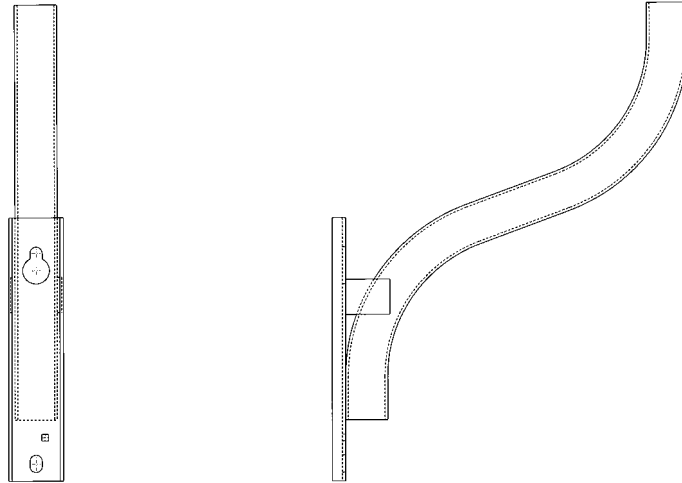
ALUMINUM BRACKETS



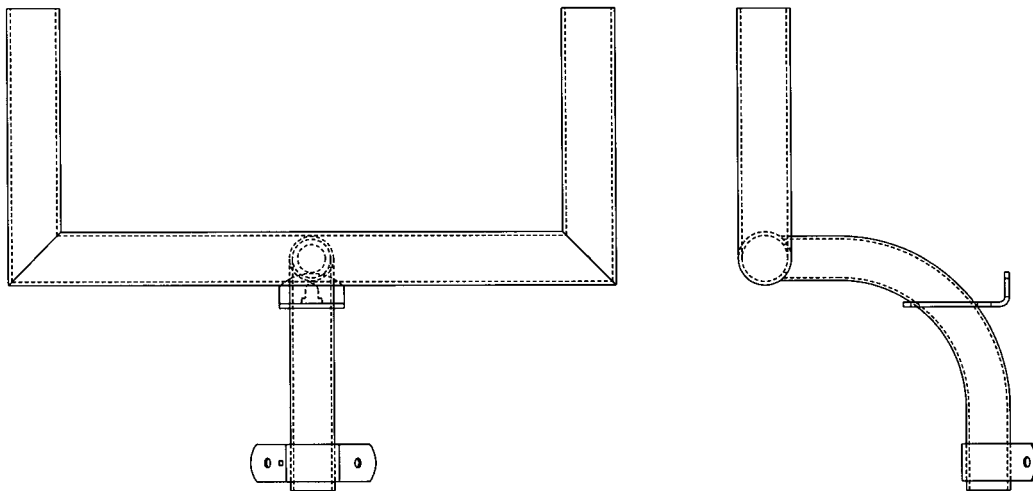
CUTOUT / ARRESTOR BRACKETS



SINGLE FLOOD BRACKETS W/ UNIVERSAL BASE

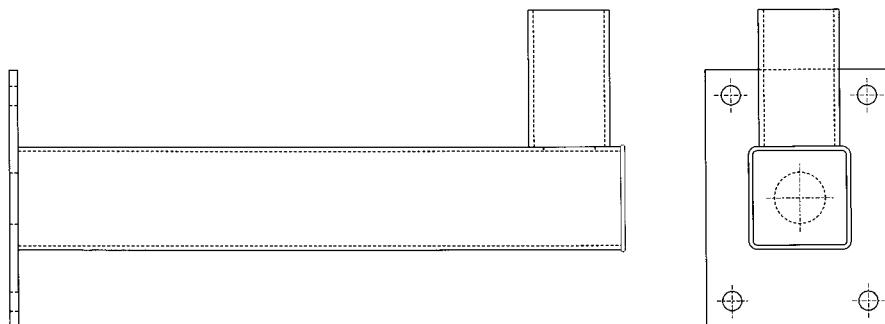


DOUBLE FLOOD BRACKETS W/ 2-7/8" OD TENONS FOR WOOD POLES

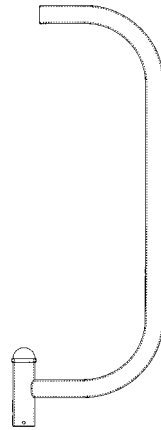


SIDE MOUNT BRACKETS

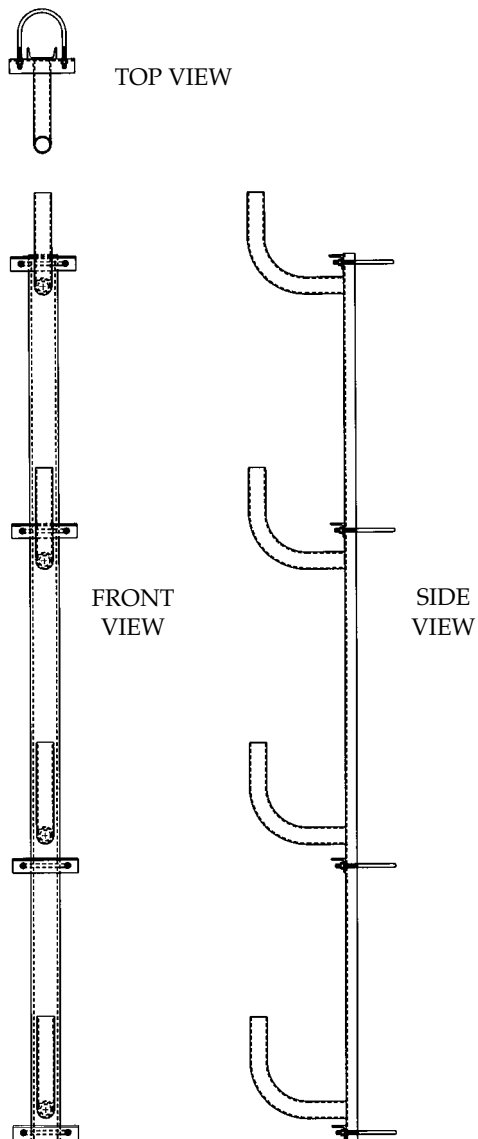
FOR SQUARE POLES OR WALL MOUNTING



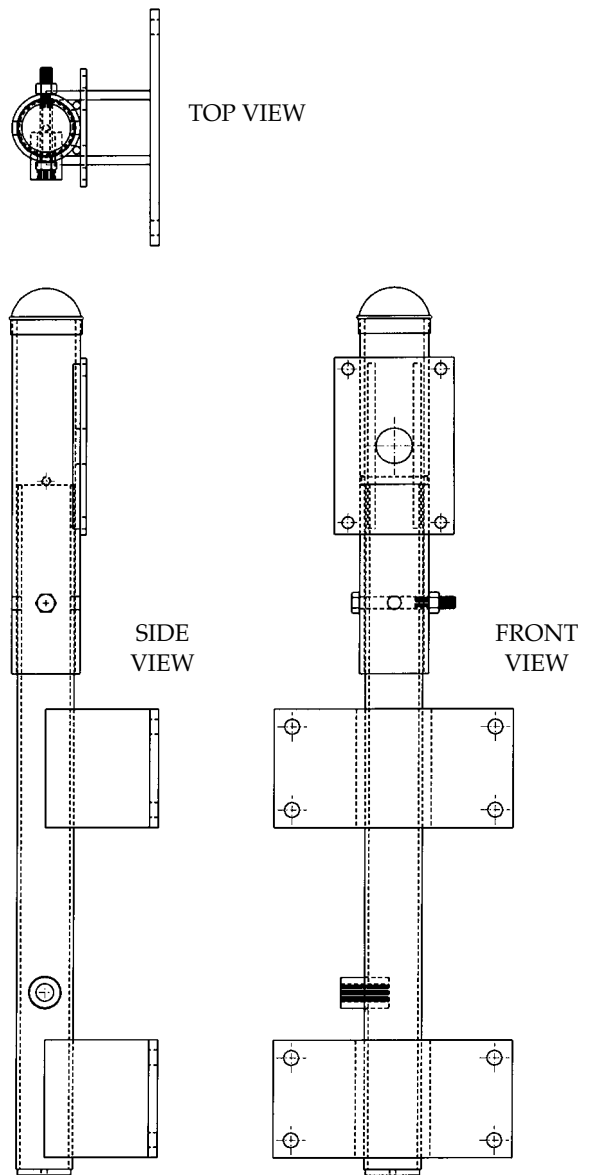
TENON MOUNT BRACKETS



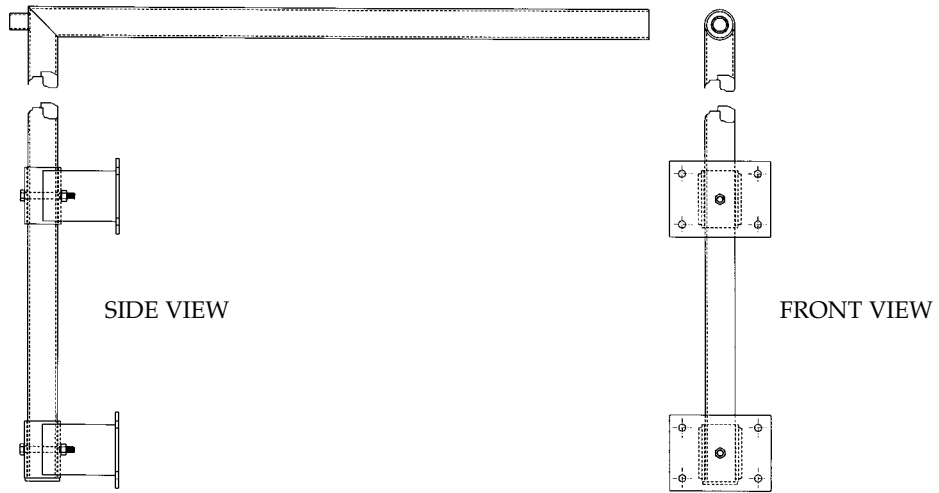
U-BOLT MOUNTING BRACKETS



SWIVEL WALL MOUNT BRACKETS

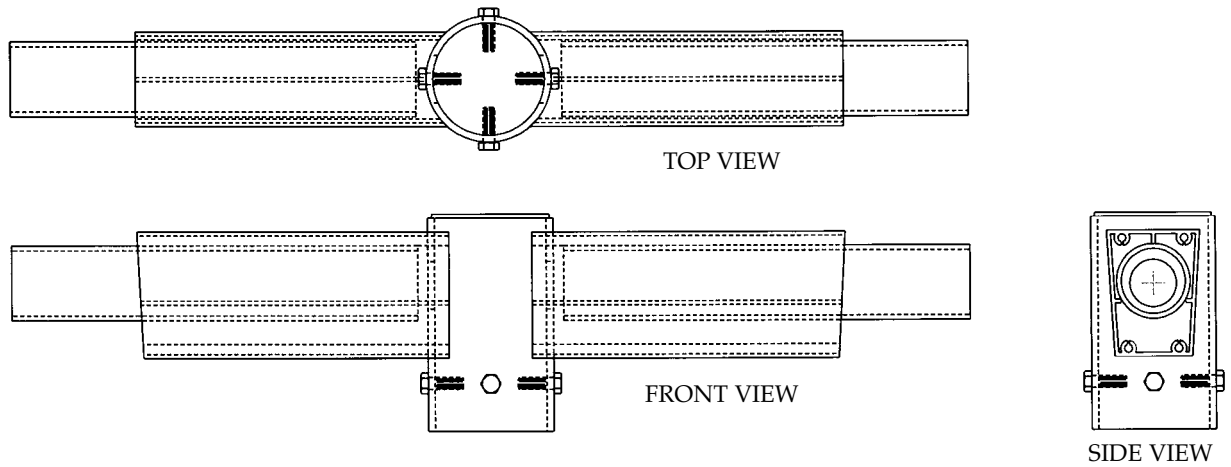


RIGHT ANGLE SWIVEL ARM BRACKETS

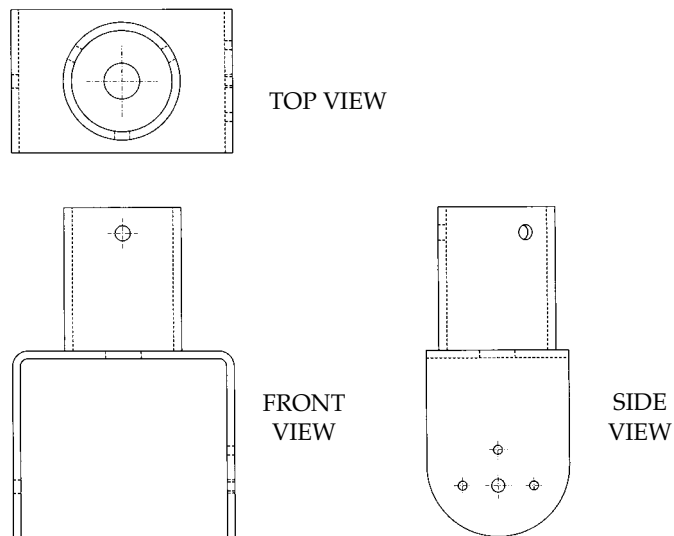


ALUMINUM MOUNT BRACKETS

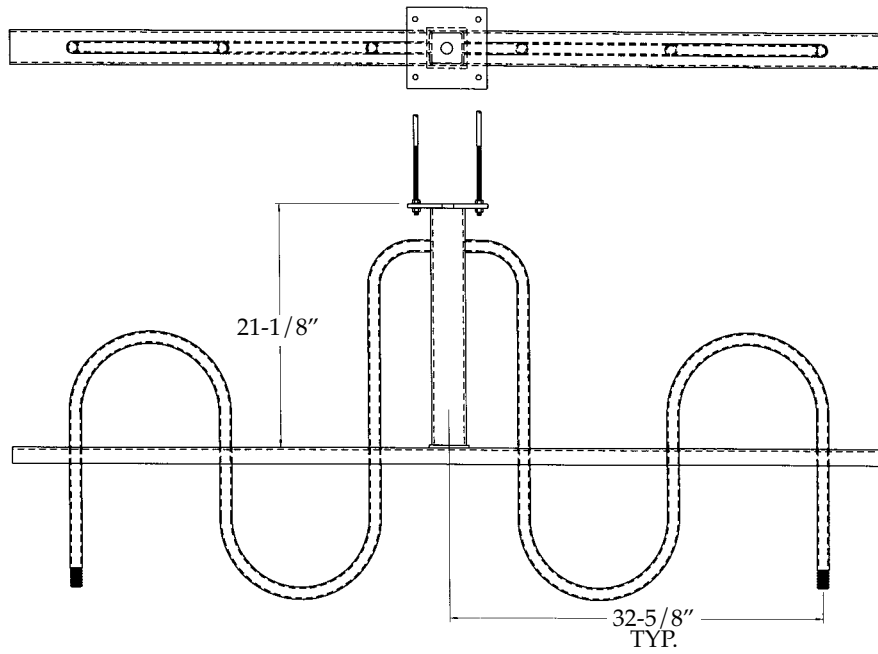
SINGLE OR DOUBLE ARM



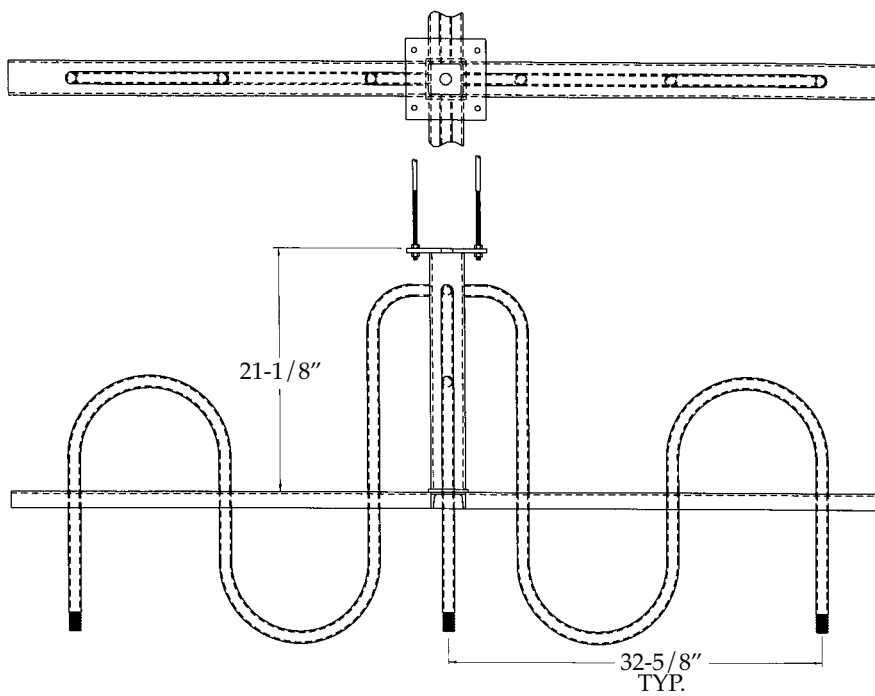
SWIVEL WALL MOUNT BRACKETS



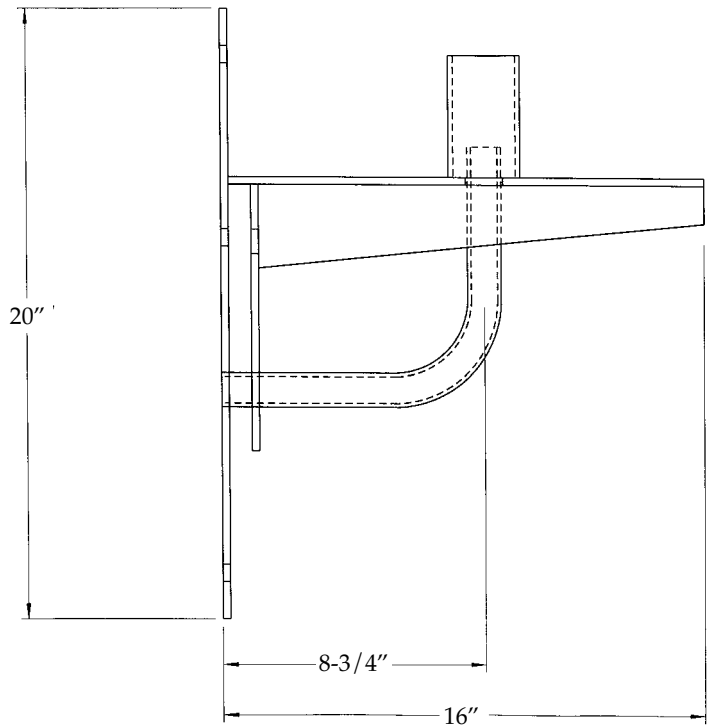
CHANDELIER BRACKET - TWO LIGHT



CHANDELIER BRACKET - FOUR LIGHT

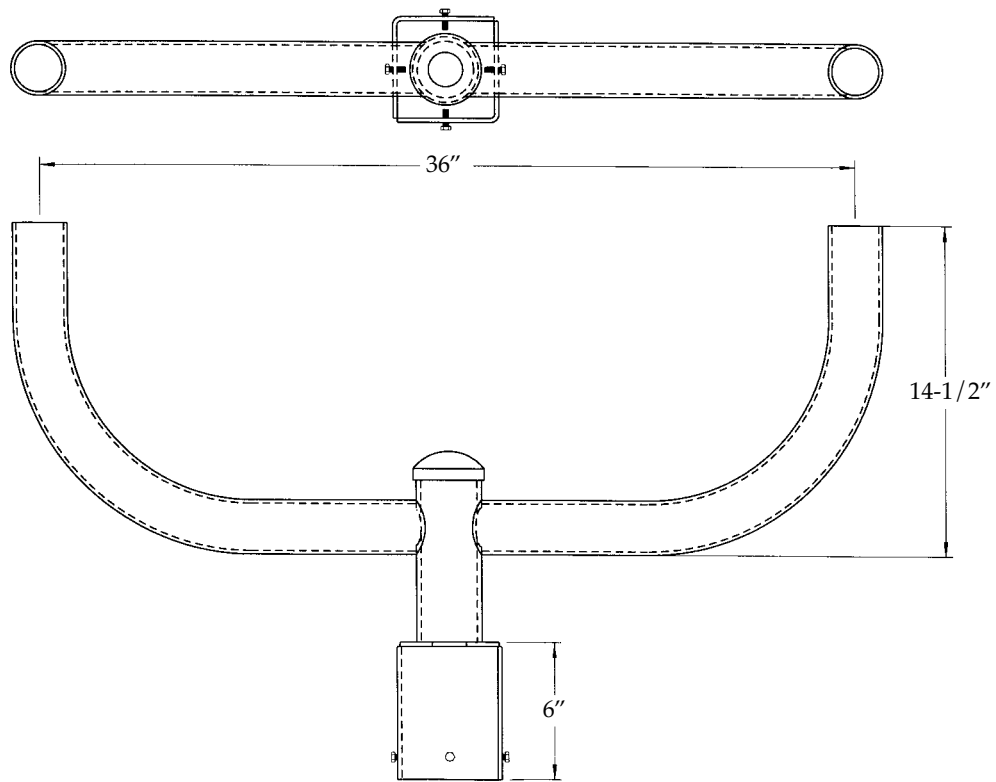


DECORATIVE FLOOD LIGHT BRACKETS

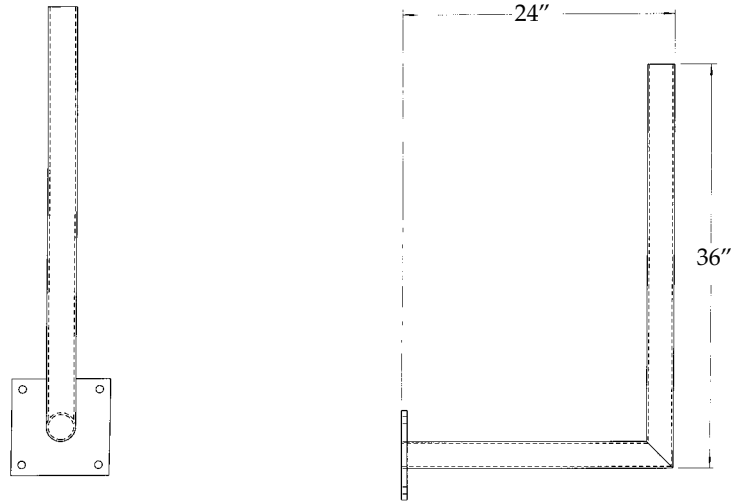


BULLHORN BRACKETS

FOR SQUARE CONCRETE POLES

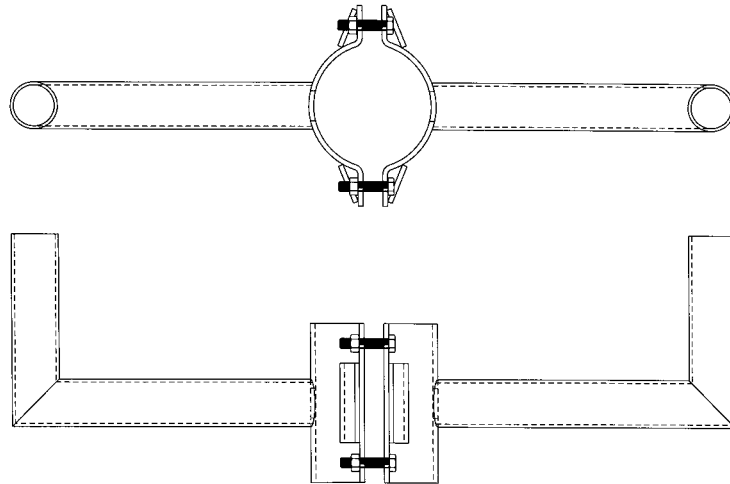


RIGHT ANGLE BRACKETS



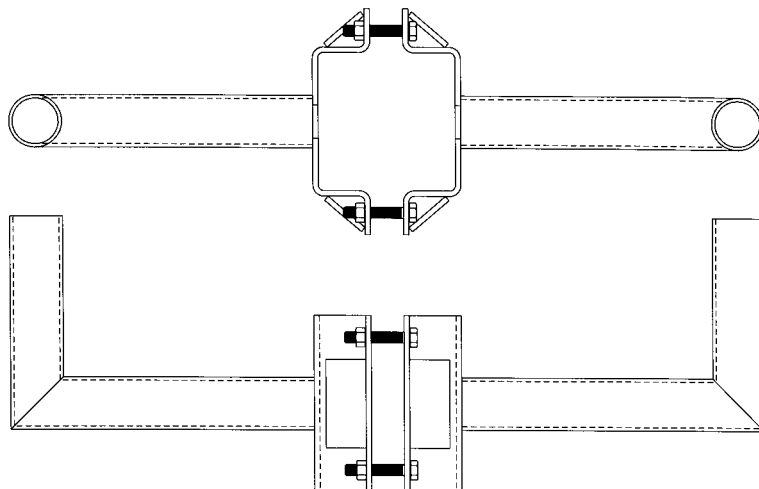
RIGHT ANGLE BRACKETS

FOR ROUND POLES

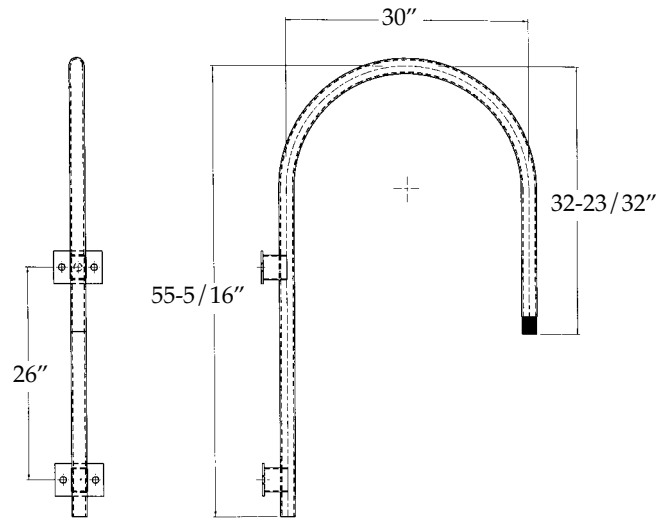


RIGHT ANGLE BRACKETS

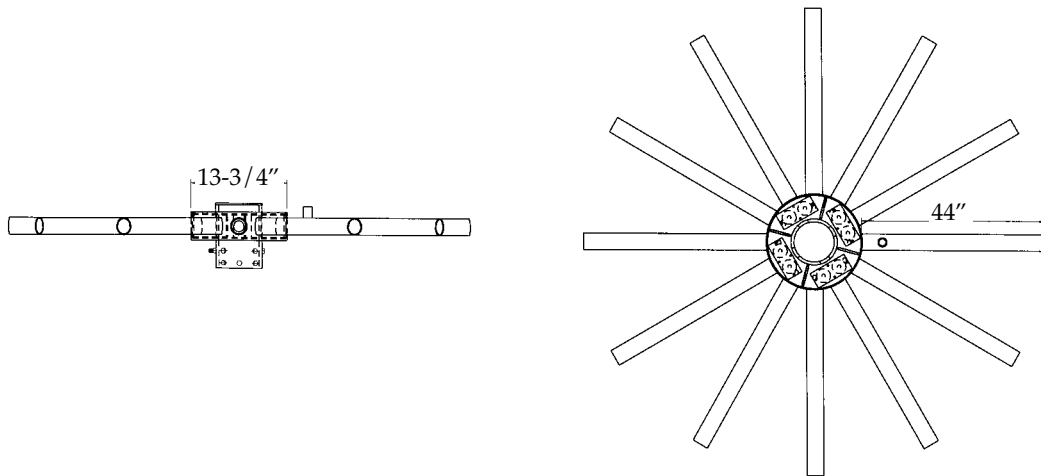
FOR SQUARE POLES



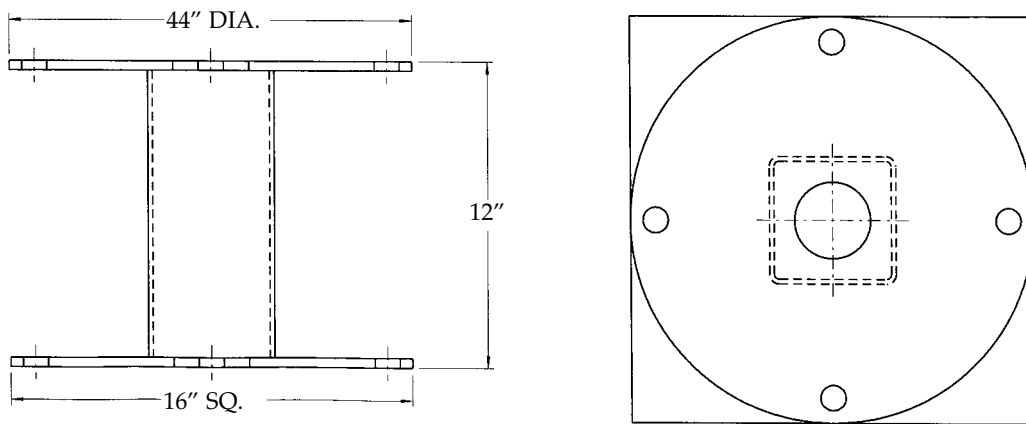
SINGLE BISHOP'S CROOK BRACKETS



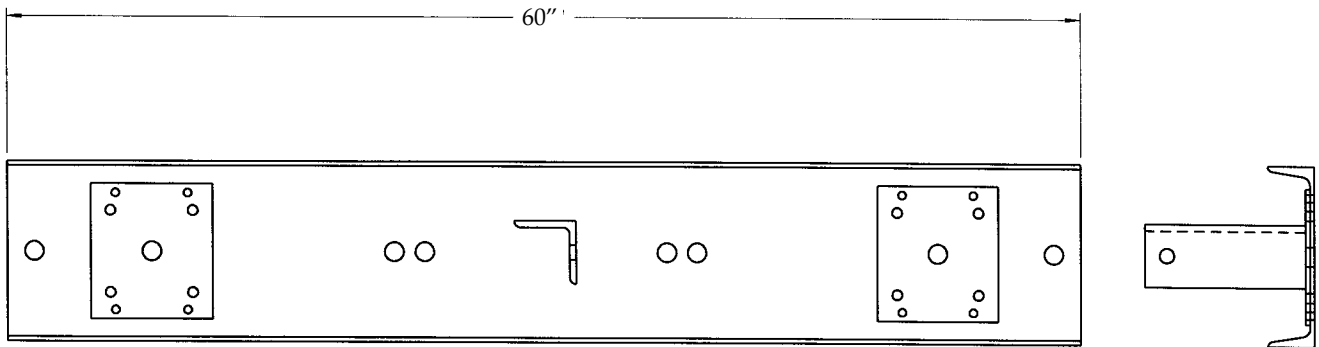
MULTI-ARM SPOKE BRACKETS



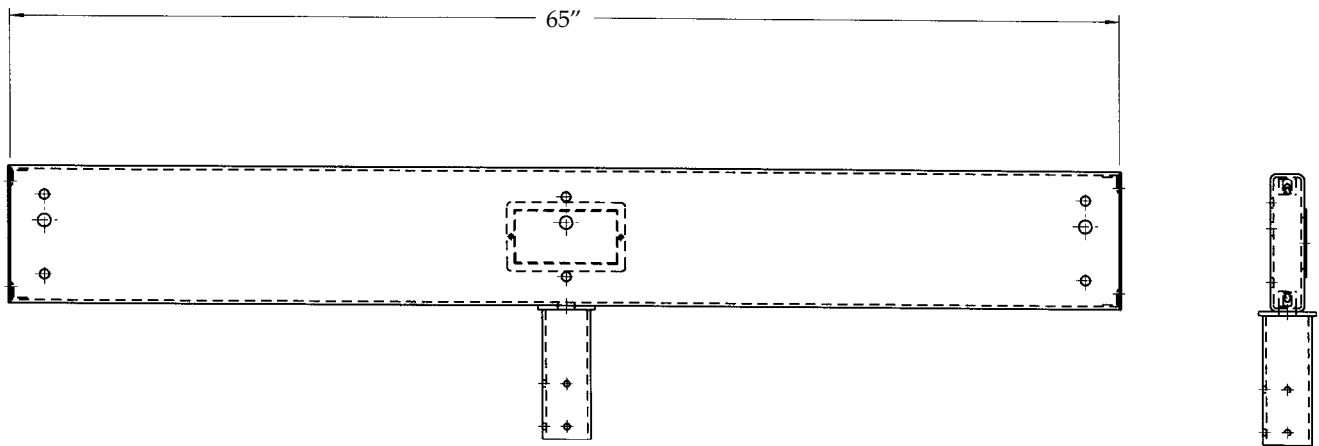
BASE EXTENDERS



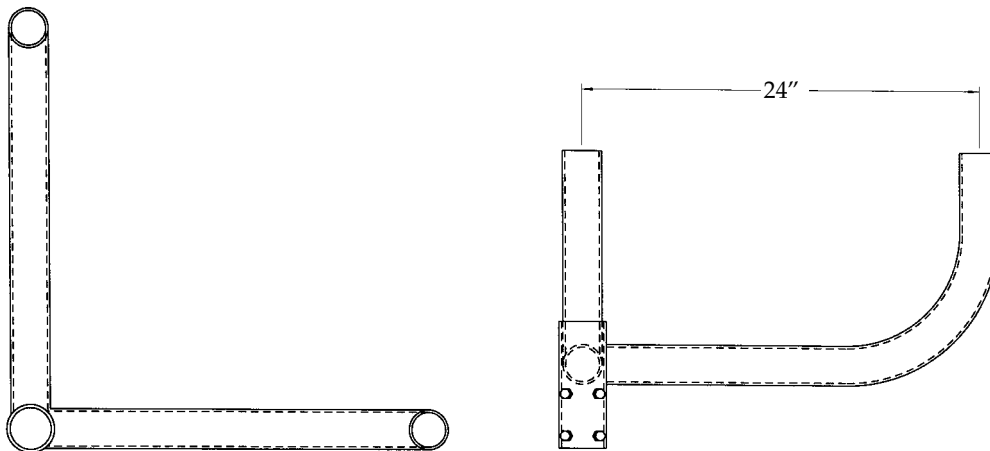
SPECIAL MOUNTING CHANNELS



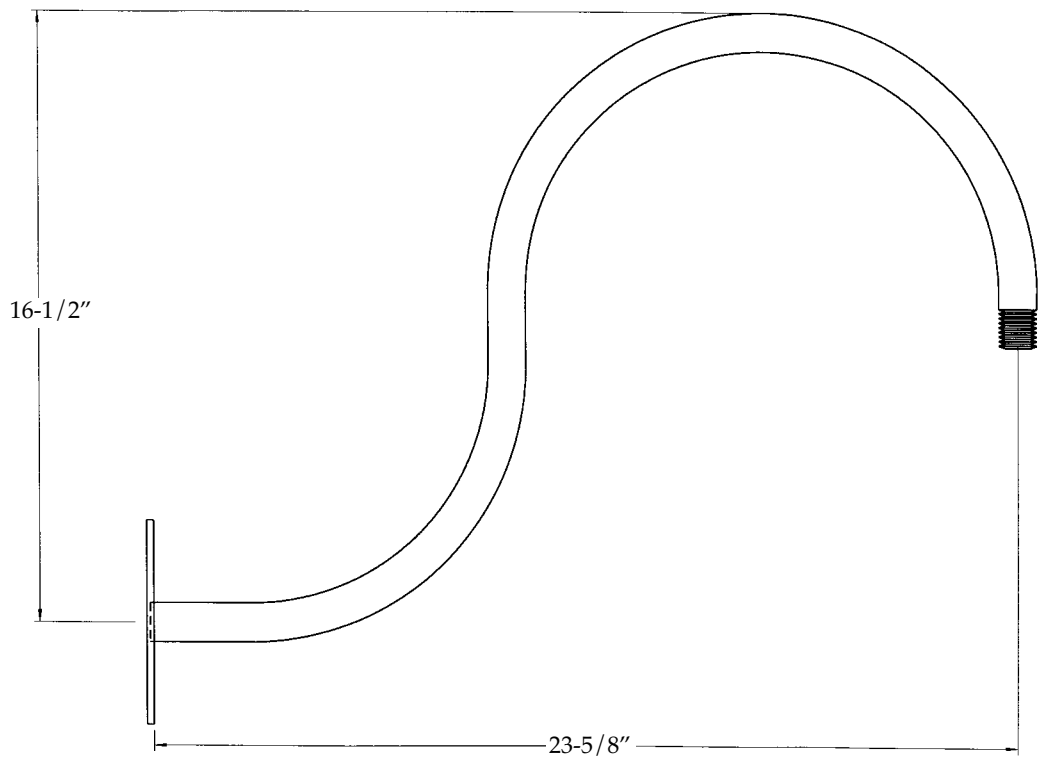
SPECIAL 3 LIGHT TENON MOUNT BRACKET



2 @ 90° BULLHORN BRACKET

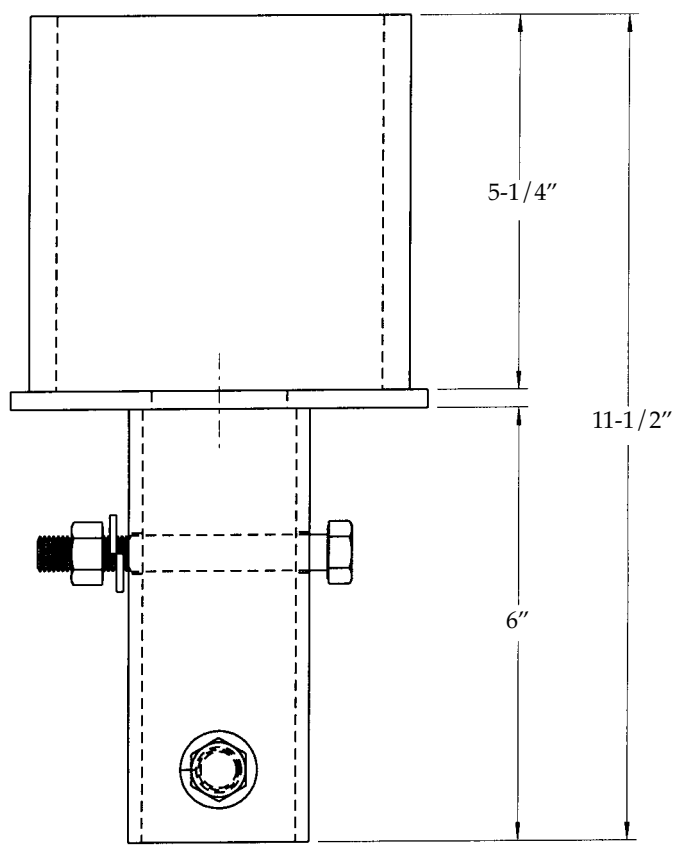
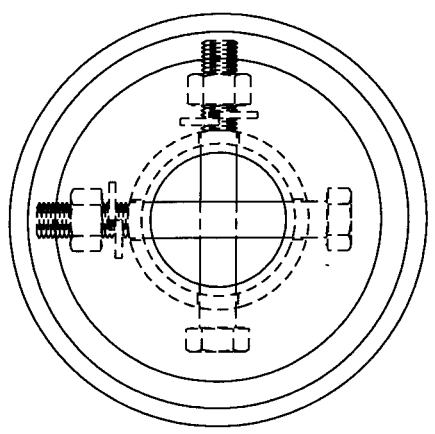


GOOSENECK BRACKETS



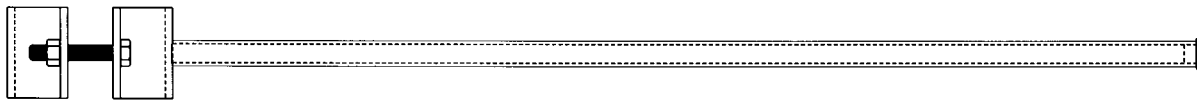
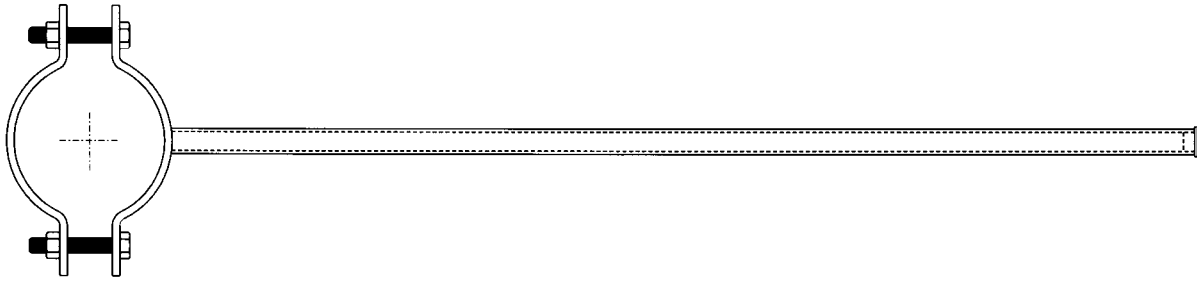
SPECIAL TENON ADAPTERS

FOR SQUARE AND ROUND POLES

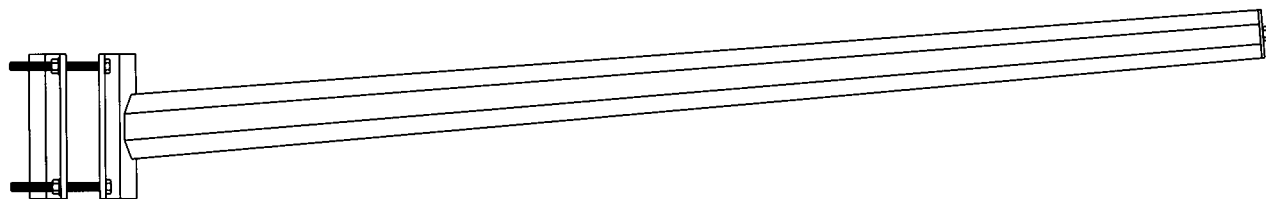
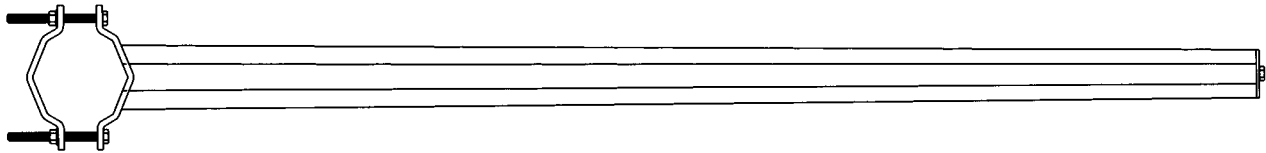


BANNER BRACKETS

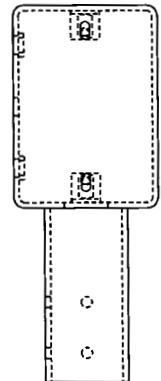
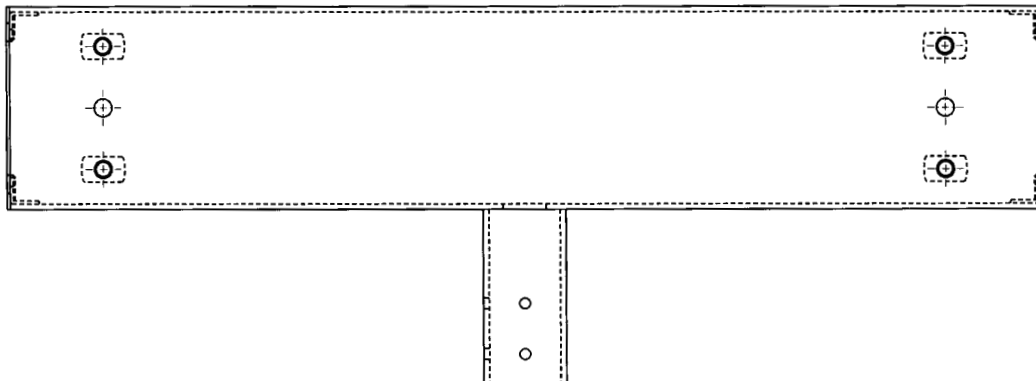
FOR SQUARE OR ROUND POLES



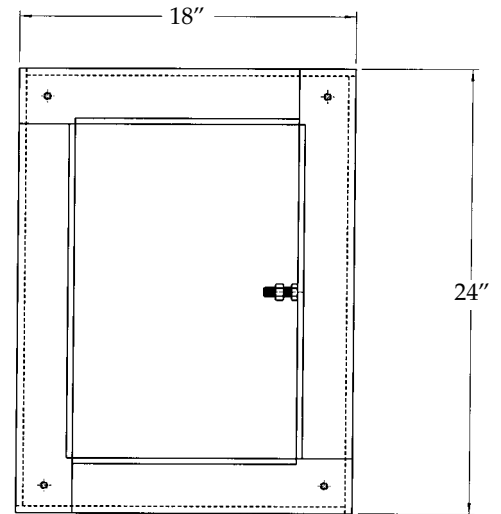
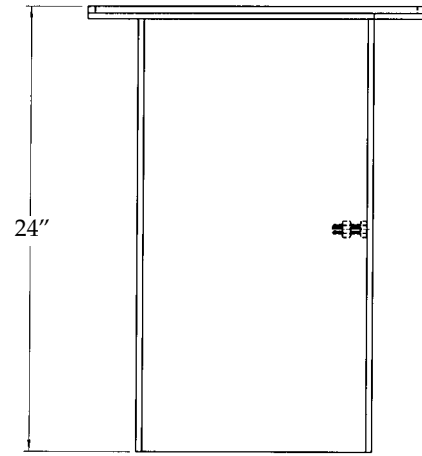
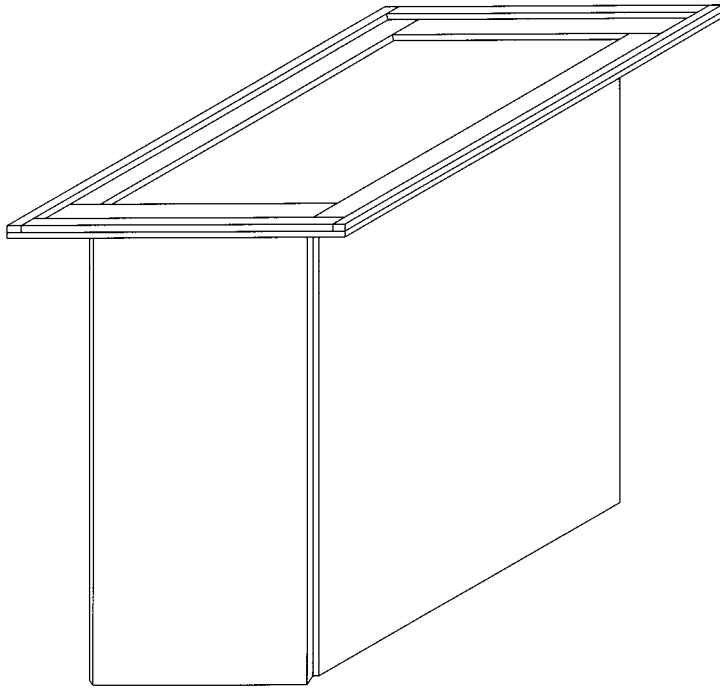
OCTAGONAL ARMS



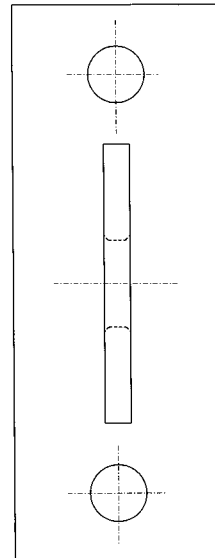
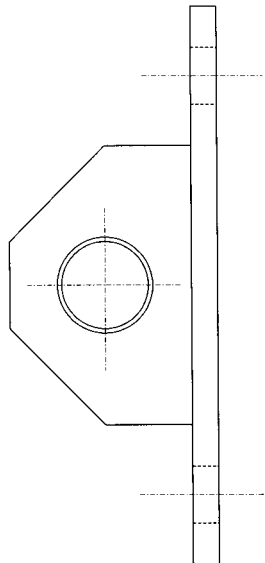
TENON MOUNT BRACKETS



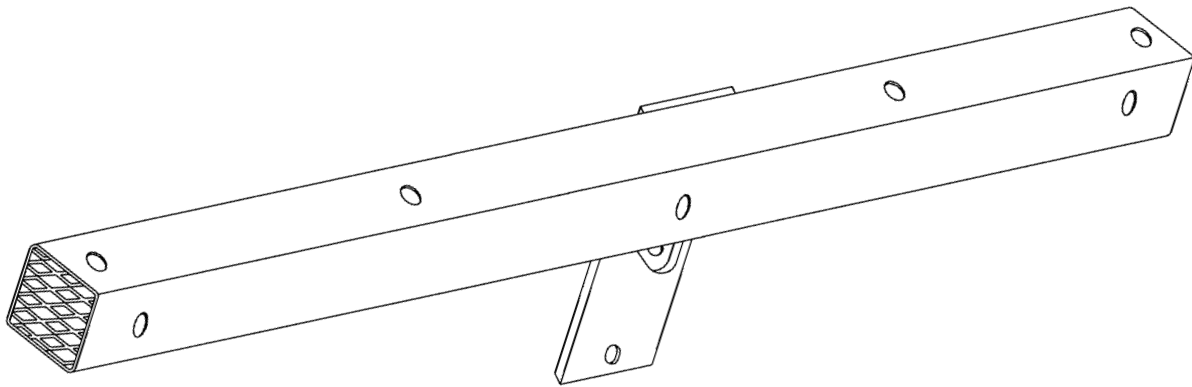
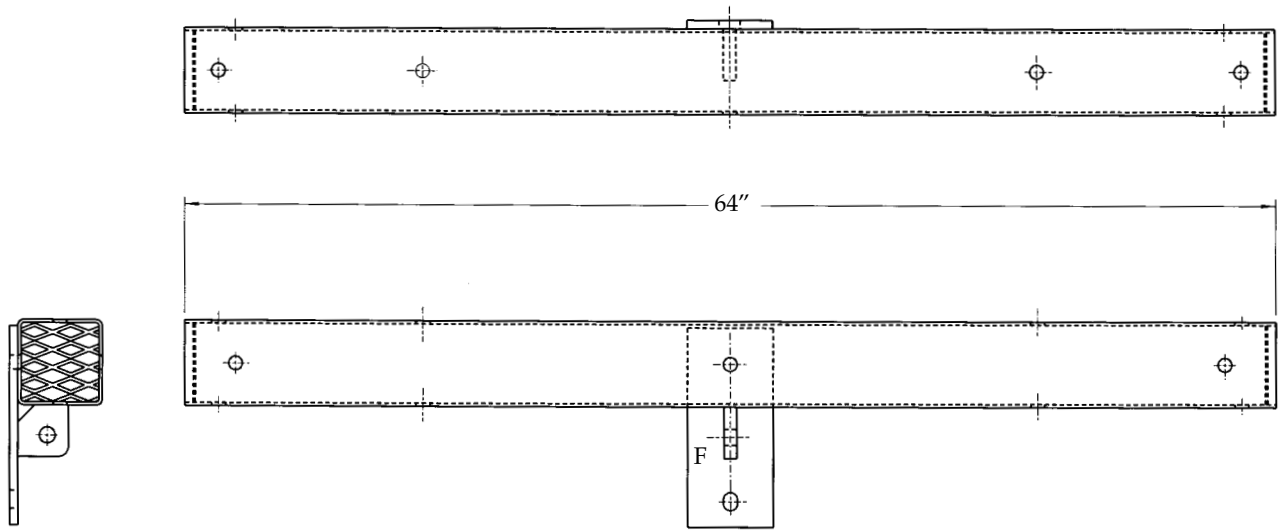
JUNCTION BOXES



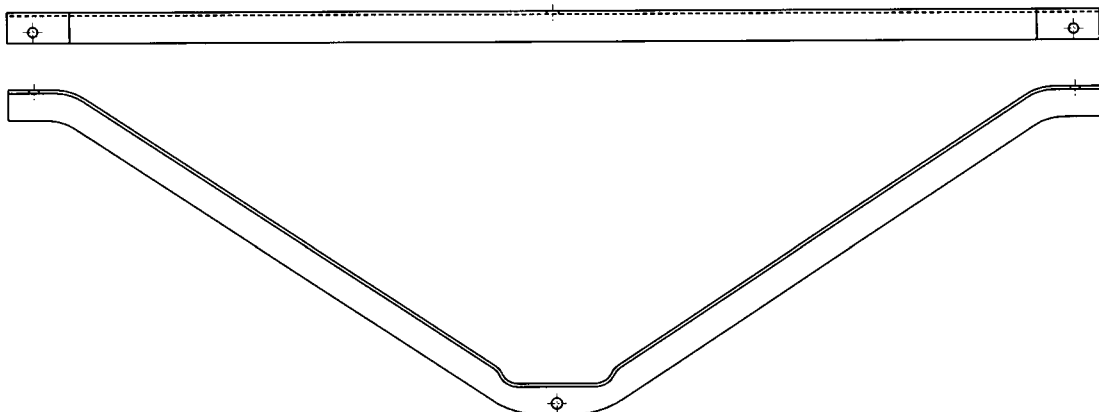
DEAD END TEES



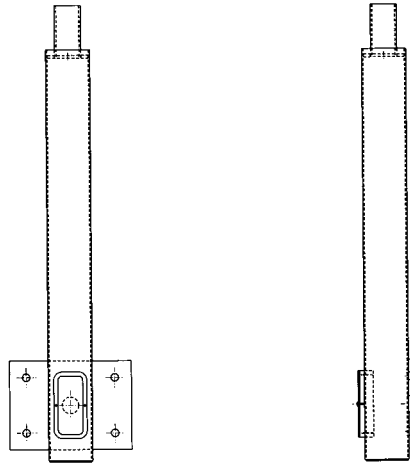
DISTRIBUTION CROSSARMS



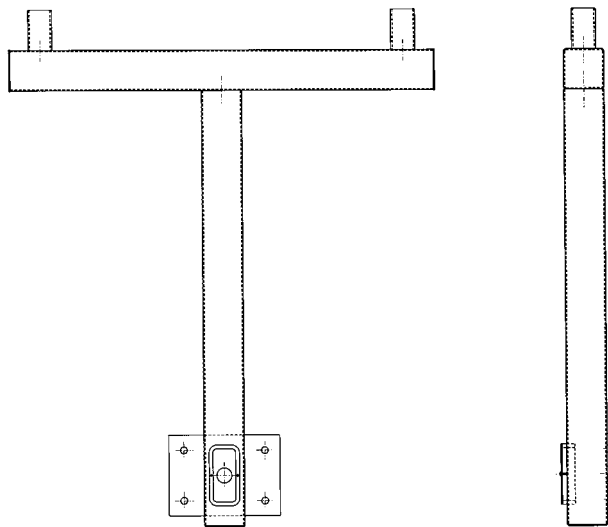
CROSSARM ANGLE BRACKET



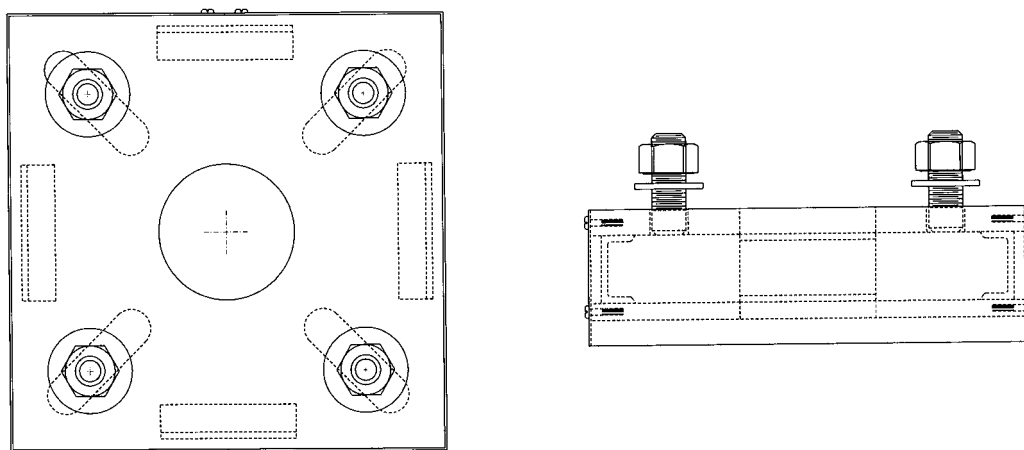
SINGLE TENON WALL MOUNT POLES



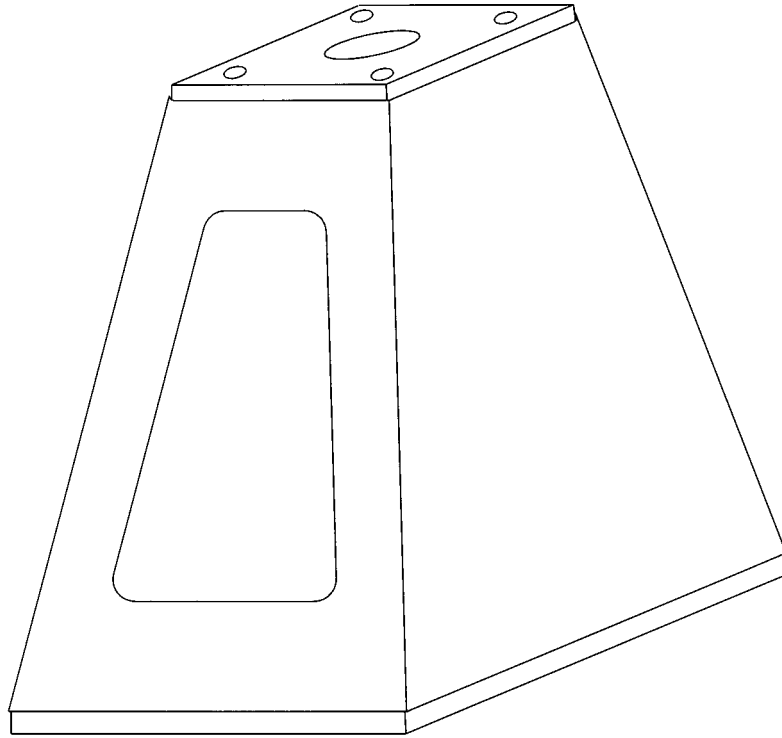
DOUBLE TENON WALL MOUNT POLES



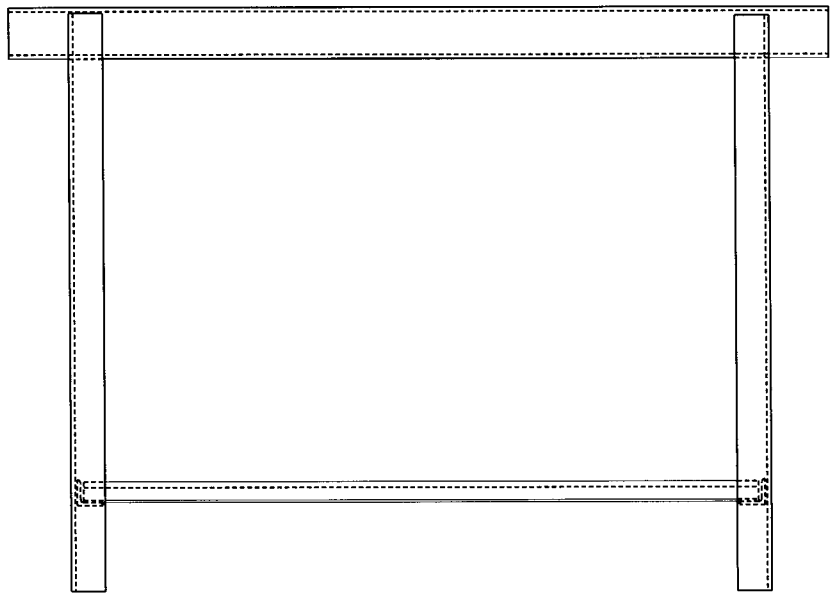
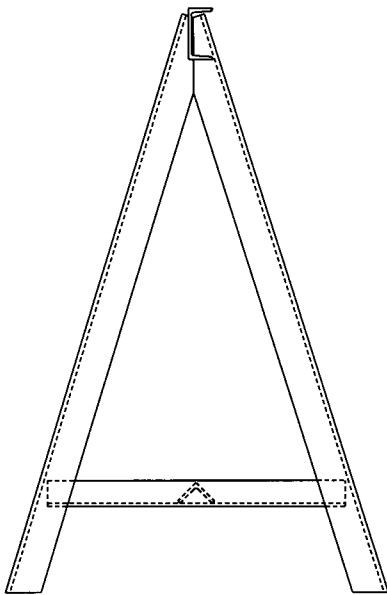
BASE PLATE ADAPTERS FOR POLES



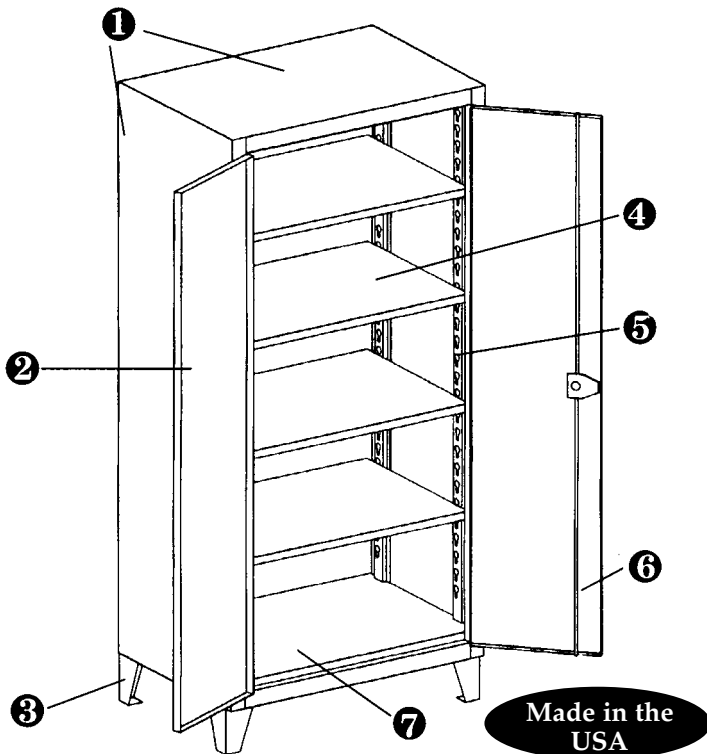
STEEL TRANSFORMER BASES



STEEL HORSE STANDS



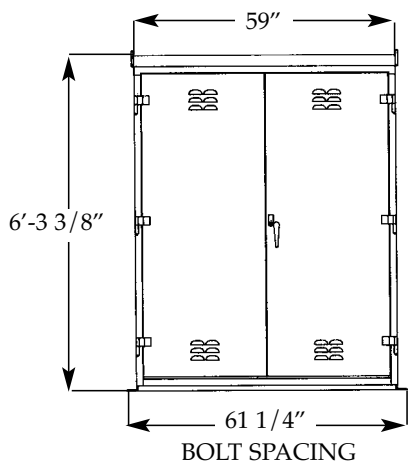
INDUSTRIAL CABINETS



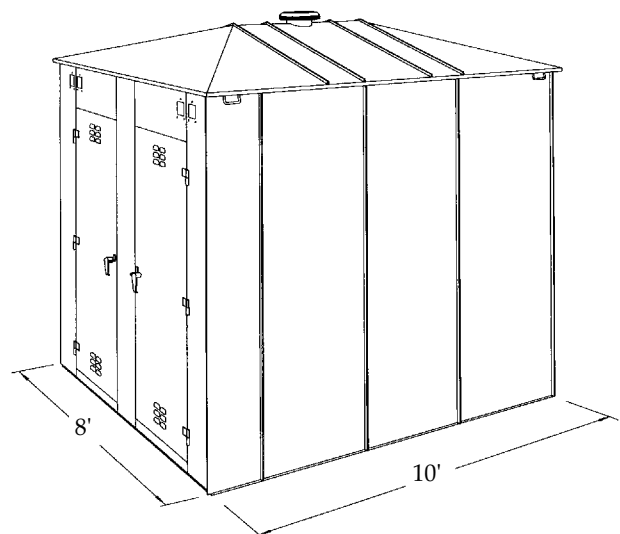
- 1 Wrap around design, one piece body, 12-gauge steel.
- 2 Two doors per cabinet, 12-gauge steel, 1" return flange, 200 degree swing, interlocking left hand door.
- 3 3/16" steel legs, provision for lagging, 6" sweep space.
- 4 Adjustable shelves, 14-gauge steel. Shelf clearance is 2-1/2" less than actual depth of cabinet.
- 5 Shelves attached with 3/8" carriage bolts.
- 6 Three-point locking device, 3/8" latch rod, 3/16" latch plate.
- 7 Flush bottom - 12-gauge steel.
- 8 Cast aluminum-bronze alloy handle, padlock tang, 3/8" angle receiver.
- 9 8-gauge hinge leaf, 5/16" brass hinge pin.

MODEL	WIDTH	DEPTH	HEIGHT	O.A. HEIGHT	SHELVES	SHELF P/N	SHELF CAPACITY	WEIGHT
◆ 36-244	36"	24"	72"	78"	4	3-24C	1900	475
◆ 46-244	48"	24"	72"	78"	4	4-24C	1200	573
◆ 56-244	60"	24"	72"	78"	4	5-24C	1650	699
◆ Denotes stock item - most ship in 48 hours								

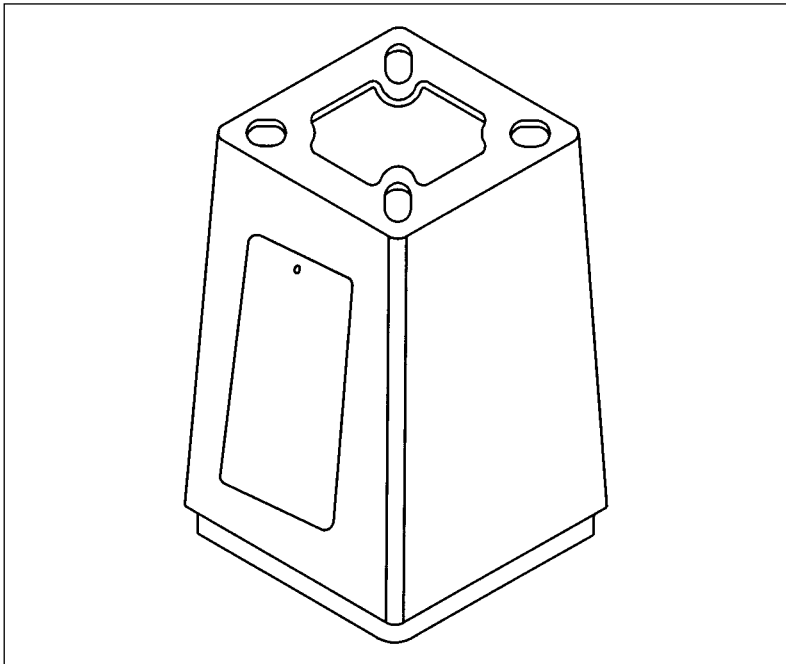
INSTRUMENT CASES



INSTRUMENT HOUSES



AKRON FOUNDRY TRANSFORMER BASE



- Door supplied in aluminum or plastic with or without hinge
- Standard 1/4"-20 SS hex screw or vandal screw to fit your specifications
- All washers to be zinc mechanical coated per ASTM B 695-85 Class 50
- 356 T-6 Aluminum Alloy/SS wheelabrated finish
- Chemical and physical certifications to be supplied with each shipment
- Adhesive breakaway and caution labels to appear on inside wall opposite door opening
- "H" after part number when a hinge door application is required
- "M" after part number denotes modification

ALUMINUM

CATALOG NO.	BASE HT.	TOP SQ.	BOTTOM SQ.	TOP BOLT CIRCLE	BOTTOM BOLT CIRCLE	DOOR SIZE
◆ TB1-17	17"	13-1/8"	15-3/8"	10-1/2"-13-1/2"	13"-15"	9-1/4" x 9-3/4" x 11-3/4"
TB1-17M	17"	13-1/8"	15-3/8"	10-1/2"-13-1/2"	10-1/2"-12-15/16"	9-1/4" x 9-3/4" x 11-3/4"
◆ TB2-17	17"	12"	13"	10"-12"	10"-12"	9-1/4" x 9-3/4" x 11-3/4"
◆ TB3-17	17"	15-3/32"	17-7/16"	13"-15-1/8"	15"-17-1/4"	9-1/4" x 9-3/4" x 11-3/4"
TB1-20	20"	13-1/8"	15-3/8"	11"-13"	13"-15"	9-1/4" x 9-3/4" x 13-1/2"
TB1-20M	20"	13-1/8"	15-3/8"	11"-13"	10-1/2"-12-15/16"	9-1/4" x 9-3/4" x 13-1/2"
TB2-20	20"	12-1/16"	13"	10"-12"	10"-12"	9-1/4" x 9-3/4" x 13-1/2"
TB3-20	20"	15"	17-7/16"	13"-15 1/8"	15"-17-1/4"	9-1/4" x 9-3/4" x 13-1/2"

JOB BOX

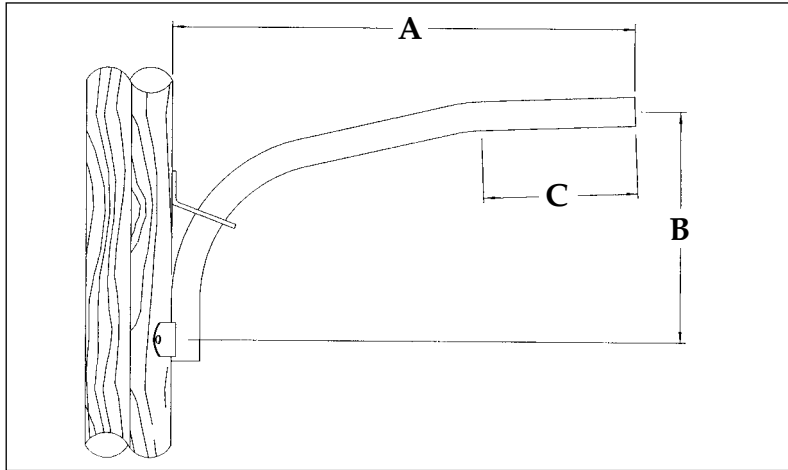


- 12-gauge steel, all-welded construction
- Removable 14-gauge shelves, concealed hinges, lifting handles
- Three-point locking system designed for a padlock
- Raised bottom for easy pickup with forklift
- Pre-punched holes for optional casters

CATALOG NO.	WIDTH	DEPTH	HEIGHT	SHELVES	SHELF CAPACITY	WEIGHT
◆453-UJB	60"	36"	48"	3	800	602
◆ indicates stock item (in limited quantity)						

"M" SERIES - CANTILEVER STYLE BRACKET

WOOD POLE MOUNTING



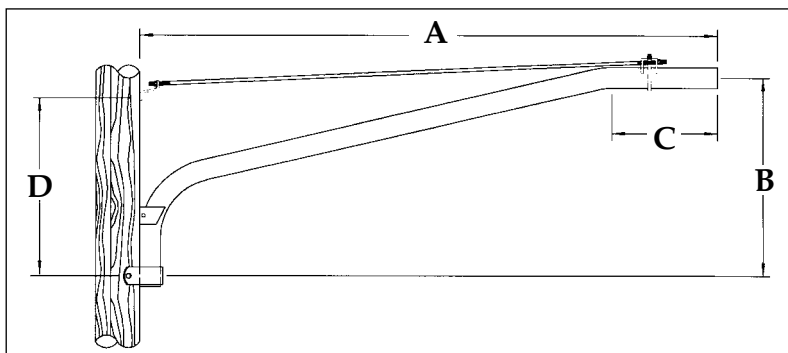
- Mounting hardware not included

ALUMINUM

CATALOG NO.	PIPE SIZE	NOM. LGTH.	A	B	C	WT/LBS
◆ M125A026	1-1/4"	2'-6"	30"	12"	12"	3

"S" SERIES - SINGLE GUY ROD BRACKET

WOOD POLE MOUNTING



- Guy rod hardware shipped in bags
- Brackets shipped unassembled
- Mounting hardware not included

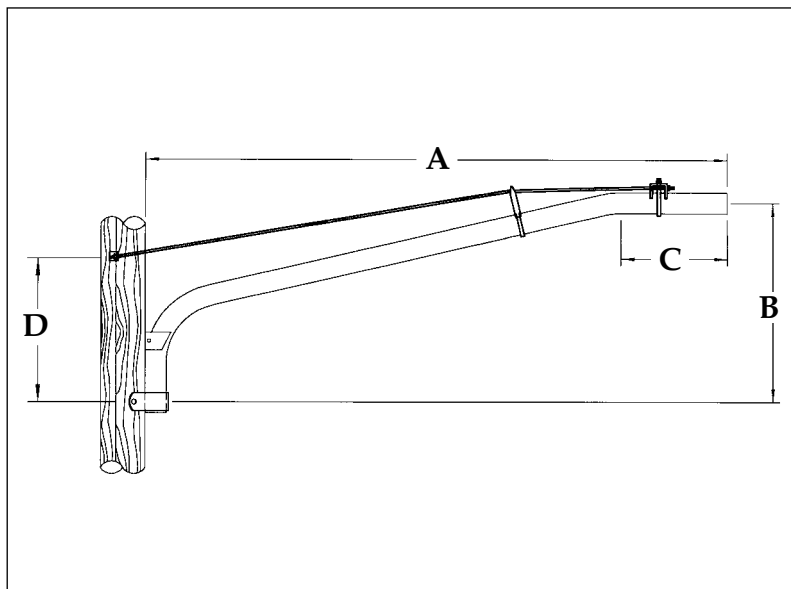
ALUMINUM

CATALOG NO.	PIPE SIZE	NOM. LGTH.	A	B	C	D	WT/LBS
◆ S200A060	2"	6'	66"	24"	12"	20"	14
◆ S200A080	2"	8'	90"	30"	15"	22"	16

STEEL

CATALOG NO.	PIPE SIZE	NOM. LGTH.	A	B	C	D	WT/LBS
◆ S125S060	1-1/4"	6'	66"	24"	12"	20"	20
◆ S125S080	1-1/4"	8'	90"	30"	15"	22"	23
◆ S125S100	1-1/4"	10'	114"	35"	18"	24"	26
◆ S200S060	2"	6'	66"	24"	12"	20"	27
◆ S200S080	2"	8'	90"	30"	15"	22"	34
◆ S200S100	2"	10'	114"	35"	18"	24"	42
◆ S200S120	2"	12'	138"	40"	21"	26"	50

◆ indicates stock item (in limited quantity)

"D" SERIES - DOUBLE GUY ROD BRACKET**WOOD POLE MOUNTING**

- Guy rod hardware shipped in bags
- Brackets shipped unassembled
- Mounting hardware not included

ALUMINUM

CATALOG NO.	PIPE SIZE	NOM. LGTH.	A	B	C	D	WT/LBS
◆D200A080	2"	8'	90"	30"	15"	22"	23
◆D200A100	2"	10'	114"	35"	18"	24"	27
◆D200A120	2"	12'	138"	41"	21"	26"	32

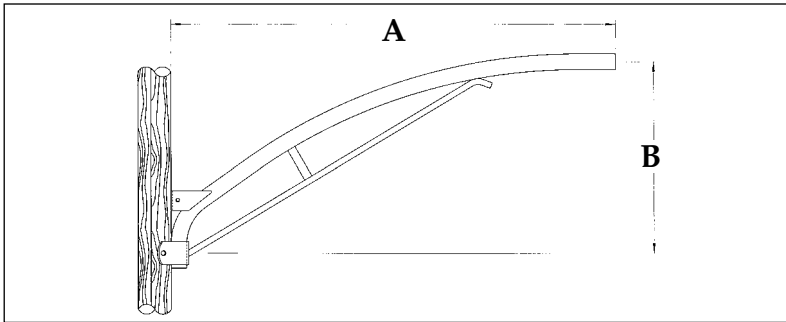
STEEL

CATALOG NO.	PIPE SIZE	NOM. LGTH.	A	B	C	D	WT/LBS
◆D125S080	1-1/4"	8'	90"	30"	15"	22"	32
◆D125S100	1-1/4"	10'	114"	35"	18"	24"	36
◆D125S120	1-1/4"	12'	138"	41"	21"	26"	43
◆D125S140	1-1/4"	14'	162"	47"	24"	28"	50
◆D200S080	2"	8'	90"	30"	15"	22"	42
◆D200S100	2"	10'	114"	35"	18"	24"	51
◆D200S120	2"	12'	138"	41"	21"	26"	59
◆D200S140	2"	14'	162"	47"	24"	28"	66
◆D200S160	2"	16'	186"	52"	27"	32"	78

◆ indicates stock item (in limited quantity)

"U" SERIES - CONTINUOUS UPSWEEP BRACKET W/UNDERBRACE

WOOD POLE MOUNTING



- Mounting hardware not included

ALUMINUM

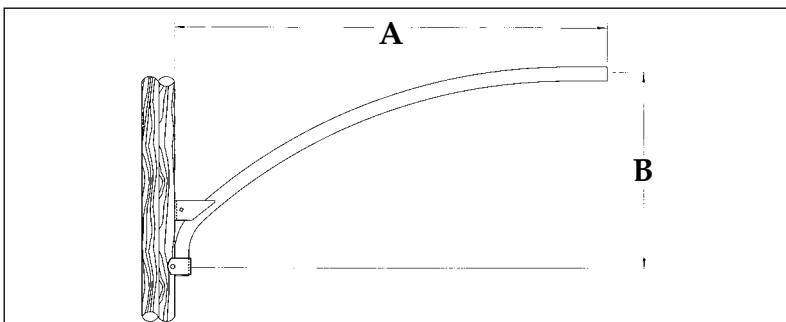
CATALOG NO.	PIPE SIZE	NOM. LGTH.	A	B	WT/LBS
U125A060U	1-1/4"	6'	66"	30"	9
◆ U200A060U	2"	6'	66"	30"	12
◆ U200A080U	2"	8'	90"	30"	15

STEEL

CATALOG NO.	PIPE SIZE	NOM. LGTH.	A	B	WT/LBS
◆ U125S060U	1-1/4"	6'	66"	30"	26
◆ U125S080U	1-1/4"	8'	90"	30"	30
U200S060U	2"	6'	66"	30"	37
U200S080U	2"	8'	90"	30"	45

"U" SERIES - CONTINUOUS UPSWEEP BRACKET

WOOD POLE MOUNTING



- Mounting hardware not included

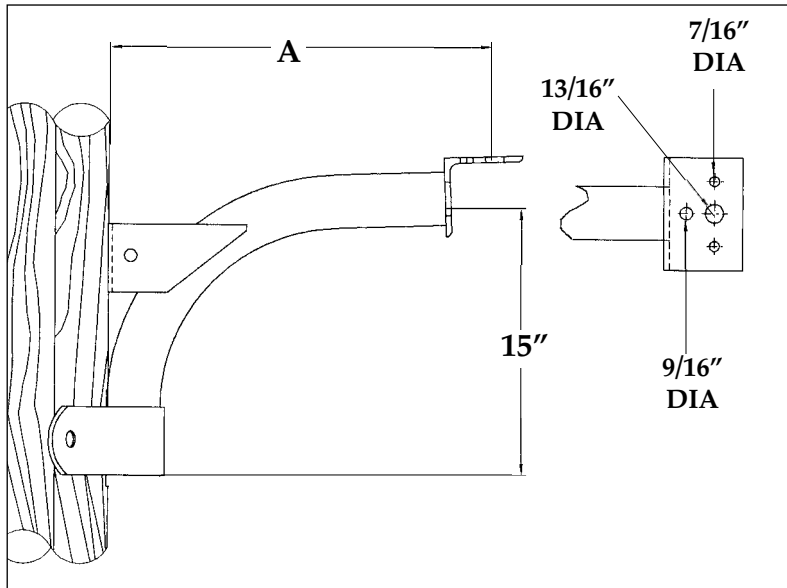
ALUMINUM

CATALOG NO.	PIPE SIZE	NOM. LGTH.	A	B	WT/LBS
U125A040	1-1/4"	4'	43"	22"	5
◆ U200A040	2"	4'	43"	22"	8
◆ U200A060	2"	6'	66"	30"	10

STEEL

CATALOG NO.	PIPE SIZE	NOM. LGTH.	A	B	WT/LBS
◆ U125S040	1-1/4"	4'	43"	22"	13
◆ U125S060	1-1/4"	6'	66"	30"	18
◆ U200S040	2"	4'	43"	22"	22
◆ U200S060	2"	6'	66"	30"	32
◆ U200S080	2"	8'	90"	30"	40

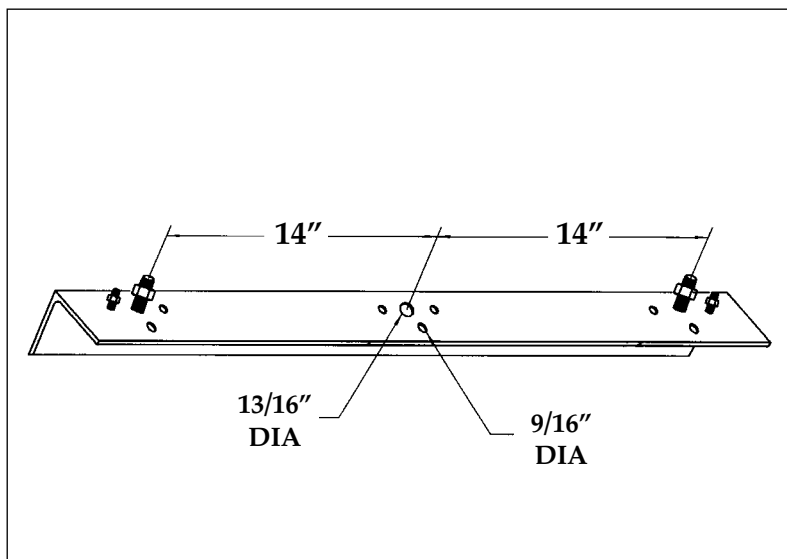
◆ indicates stock item (in limited quantity)

"P" SERIES - CROSS ARM BRACKET**WOOD POLE MOUNTING**

- Fixture mounting hardware included
- Finish: Hot dip galvanized
- For primer, substitute "P" in place of "S"

STEEL

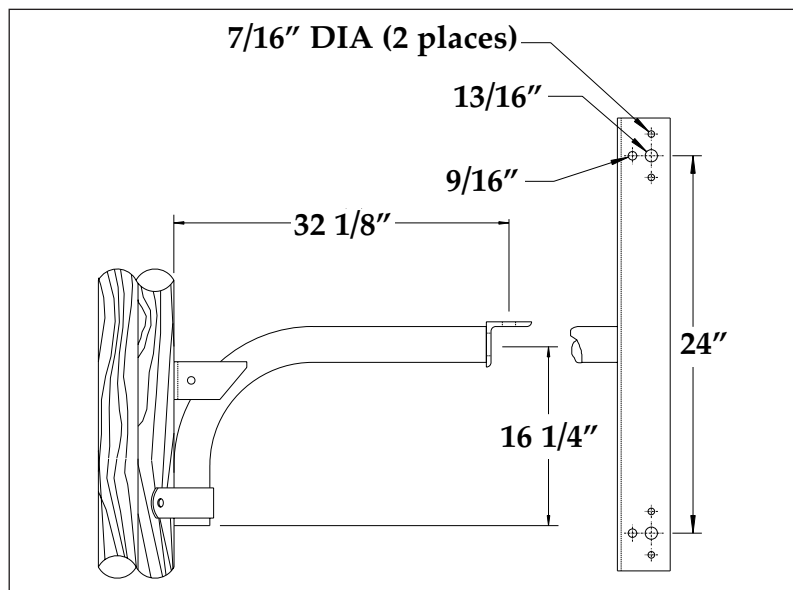
CATALOG NO.	PIPE SIZE	NOM. LGTH.	A	WT/LBS
◆ P200S016C	2"	1'-6"	18"	14
◆ P200S026C	2"	2'-6"	30"	15
P200S040C	2"	4'	48"	20

TWIN CROSS ARM ADAPTER ANGLE BRACKET**CROSS ARM MOUNTING**

- Fixture mounting hardware included
- Wiring access optional
- Finish: Hot dip galvanized

STEEL

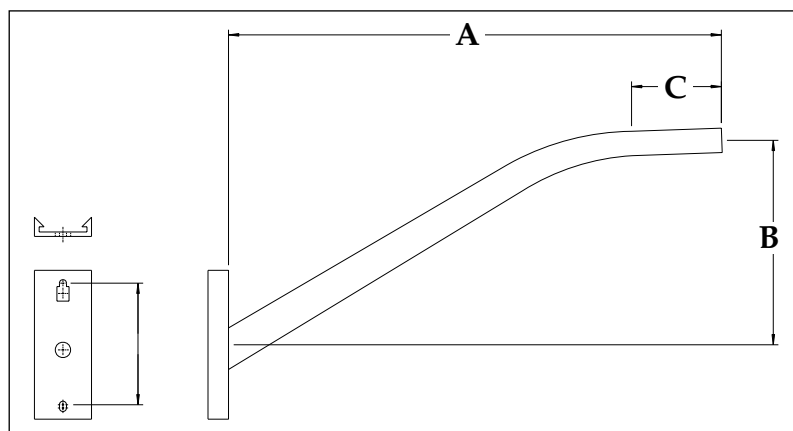
CATALOG NO.	WT/LBS
◆ TCAA33	20
◆ indicates stock item (in limited quantity)	

"P" SERIES - TWIN CROSS ARM BRACKET**WOOD POLE MOUNTING**

- Fixture mounting hardware included
- Finish: Hot dip galvanized
- For primer, substitute "P" in place of "S"

STEEL

CATALOG NO.	PIPE SIZE	NOM. LGTH.	WT/LBS
◆ P200S026T	2"	2'-5"	31

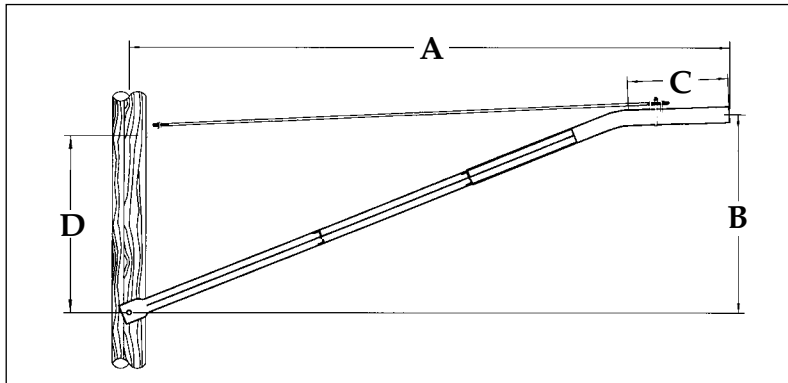
"B" SERIES - TAPERED ELLIPTICAL BRACKET**WOOD POLE MOUNTING**

- Mounting hardware not included
- Wiring access optional
- Consult manufacturer for mounting hole spacing

ALUMINUM

CATALOG NO.	PIPE SIZE	NOM. LGTH.	A	B	C	WT/LBS
◆ B200A026-4.0	2"	2'-6"	30"	12"	10"	9
◆ B200A040-3.0	2"	4'	48"	20 1/4"	8 3/4"	10
◆ B200A060-3.5	2"	6'	72"	30 7/8"	10"	17
◆ B200A080-4.0	2"	8'	96"	44 7/8"	9"	19
◆ B200A100-4.0	2"	10'	120"	51 1/8"	12"	21

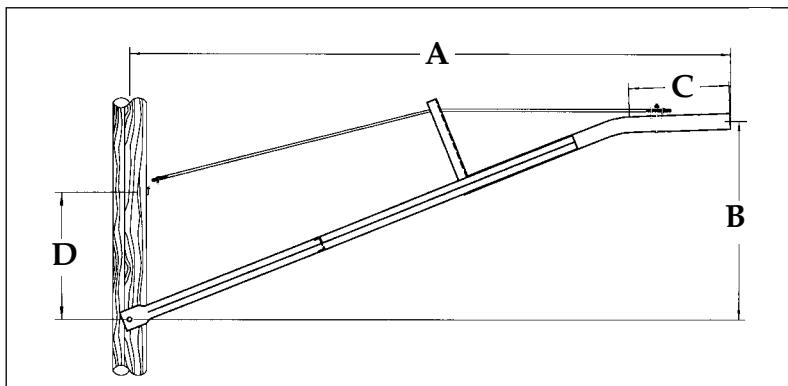
◆ indicates stock item (in limited quantity)

"A" SERIES - A-FRAME BRACKET 8' - 12'**WOOD POLE MOUNTING**

- Guy rod hardware shipped in bags
- Brackets shipped unassembled
- Mounting hardware not included
- Finish: Hot dip galvanized

STEEL

CATALOG NO.	PIPE SIZE	NOM. LGTH.	A	B	C	D	WT/LBS
A125S080	1-1/4"	8'	90"	30"	11"	28"	34
A125S100	1-1/4"	10'	114"	35"	14"	28"	42
A125S120	1-1/4"	12'	138"	43"	17"	28"	49
A200S080	2"	8'	90"	30"	11"	28"	39
A200S100	2"	10'	114"	35"	14"	28"	48
A200S120	2"	12'	138"	43"	17"	28"	56

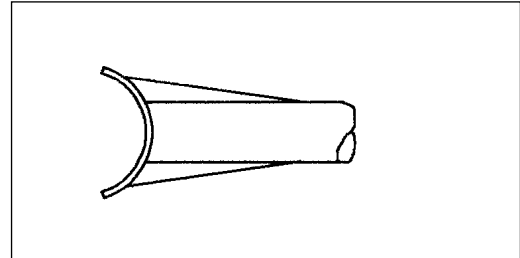
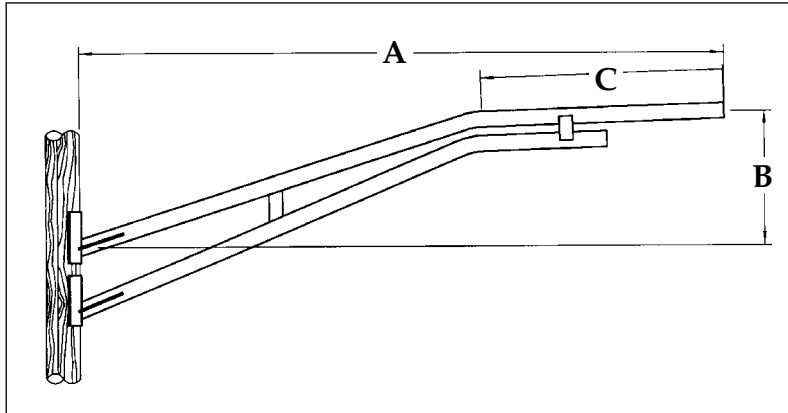
"A" SERIES - A-FRAME BRACKET 14' - 20'**WOOD POLE MOUNTING**

- Guy rod hardware shipped in bags
- Brackets shipped unassembled
- Mounting hardware not included
- Finish: Hot dip galvanized

STEEL

CATALOG NO.	PIPE SIZE	NOM. LGTH.	A	B	C	D	WT/LBS
A125S140	1-1/4"	14'	162"	50"	20"	28"	64
A125S160	1-1/4"	16'	186"	56"	23"	28"	70
A200S140	2"	14'	162"	50"	20"	28"	72
A200S160	2"	16'	186"	56"	23"	28"	80
A200S180*	2"	18'	210"	66"	26"	24"	88
A200S200*	2"	20'	234"	73"	29"	21"	96

* Also available with 1-1/4" slipfit end

TRUSS BRACKET**WOOD POLE MOUNTING**

Wood Pole Mounting
Mounting Hardware Not Included.

ALUMINUM

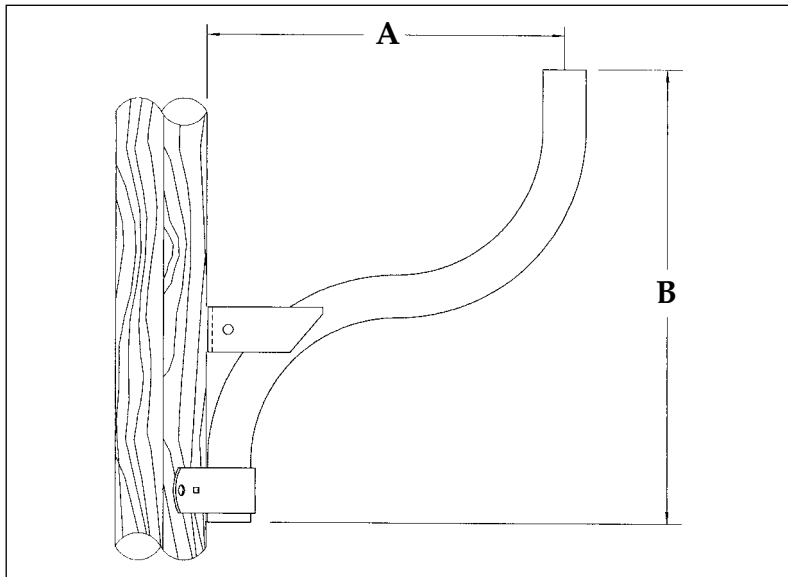
CATALOG NO.	PIPE SIZE	NOM. LGTH.	A	B	C	WT/LBS
C200A060X	2"	6'	72"	13"	36"	20
C200A080X	2"	8'	96"	21"	36"	25
C200A100X	2"	10'	120"	28"	36"	30
C200A120X	2"	12'	144"	36"	36"	35
C200A140X	2"	14'	168"	44"	36"	40
C200A150X	2"	15'	180"	48"	36"	45

STEEL

CATALOG NO.	PIPE SIZE	NOM. LGTH.	A	B	C	WT/LBS
C200S060X	2"	6'	72"	13"	36"	58
C200S080X	2"	8'	96"	21"	36"	72
C200S100X	2"	10'	120"	28"	36"	85
C200S120X	2"	12'	144"	36"	36"	99
C200S140X	2"	14'	168"	44"	36"	112
C200S150X	2"	15'	180"	48"	36"	122
C200S160X	2"	16'	186"	52"	36"	171
C200S180X	2"	18'	210"	60"	36"	188
C200S200X	2"	20'	234"	68"	36"	205

SINGLE FLOODLIGHT BRACKET

WOOD POLE MOUNTING



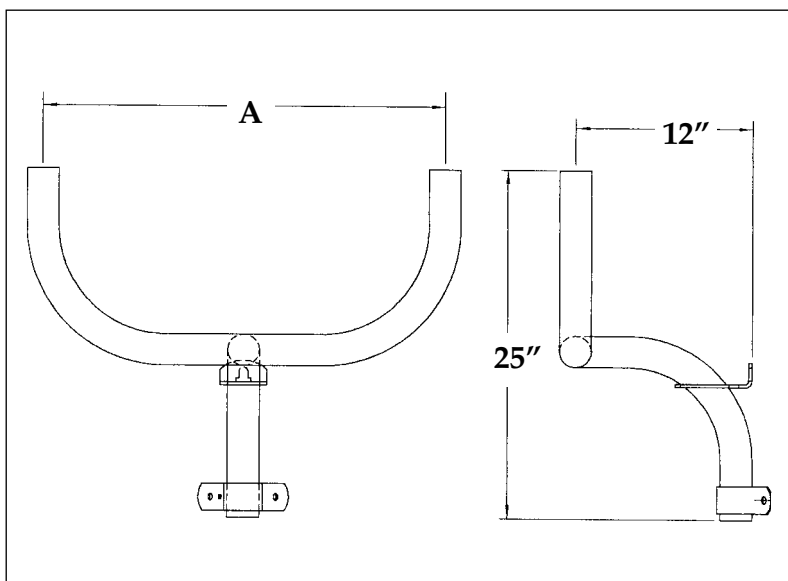
- Mounting hardware not included
- Finish: Primer
Hot dip galvanized

STEEL

CATALOG NO.	PIPE SIZE	A	B	WT/LBS
◆ SF-18G	2"	18"	23"	15
◆ SF-07P	2"	7"	20"	11
◆ SF-07G	2"	7"	20"	12

DOUBLE FLOODLIGHT BRACKET

WOOD POLE MOUNTING



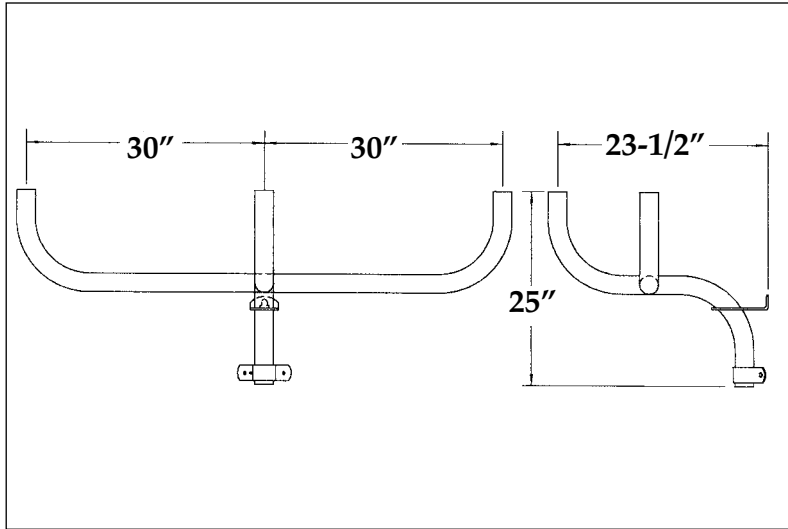
- Mounting hardware not included
- Finish: Primer
Hot dip galvanized

STEEL

CATALOG NO.	PIPE SIZE.	A	WT/LBS
◆ DF-30P	2"	30"	25
◆ DF-30G	2"	30"	27
◆ indicates stock item (in limited quantity)			

TRIPLE FLOODLIGHT BRACKET

WOOD POLE MOUNTING



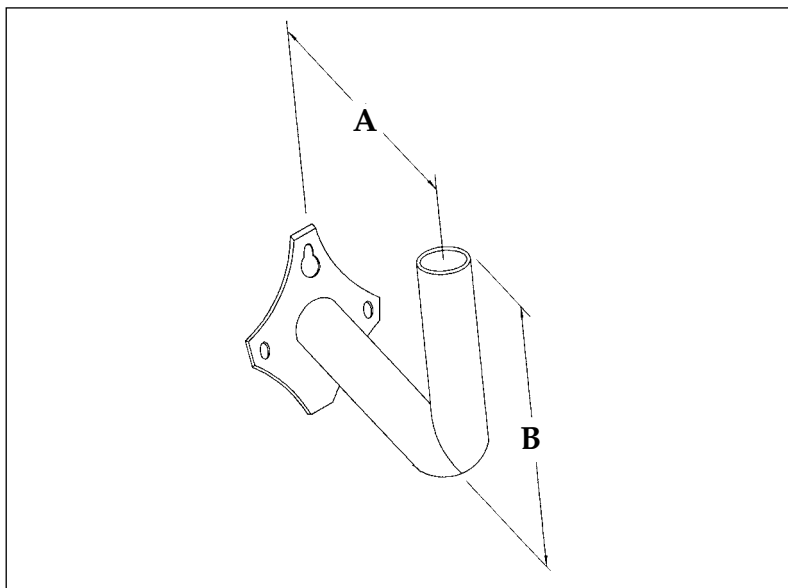
- Mounting hardware not included
- Finish: Hot dip galvanized
- For primer, substitute "P" in place of "G"

STEEL

CATALOG NO.	PIPE SIZE.	WT/LBS
◆ TF-30G	2"	43

RIGHT ANGLE BRACKET

WOOD POLE MOUNTING

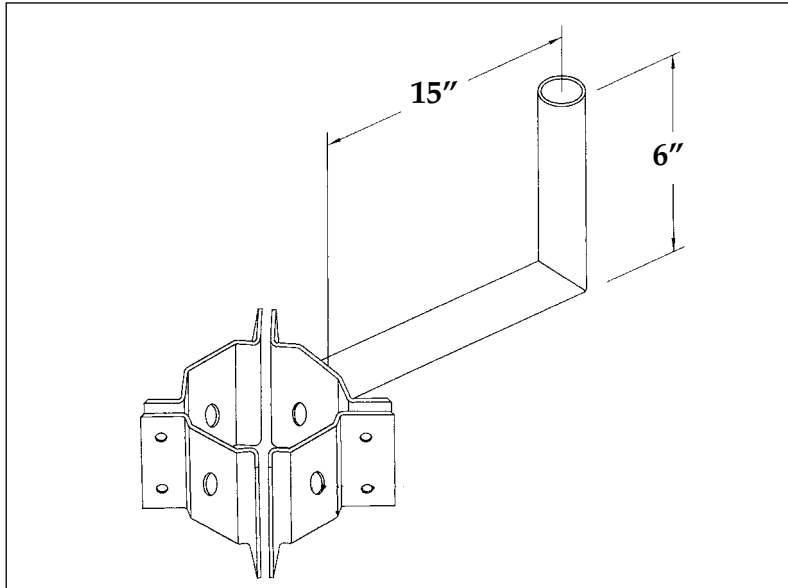


- Mounting hardware not included
- Finish: Primer
- For hot dip galvanized, substitute "G" in place of "P"

STEEL

CATALOG NO.	PIPE SIZE	A	B	WT/LBS
◆ RAB-WM-P	2"	12"	13"	12
RABH-WM-P	2"	8-1/2"	8"	11
RABH14-WM-P	2"	14-1/2"	8"	12

◆ indicates stock item (in limited quantity)

WRAP AROUND BRACKET – ONE ARM**WOOD POLE MOUNTING**

- All brackets shipped complete with hardware
- Finish: Primer
- For hot dip galvanized, substitute "G" in place of "P"

STEEL**CATALOG NO.**

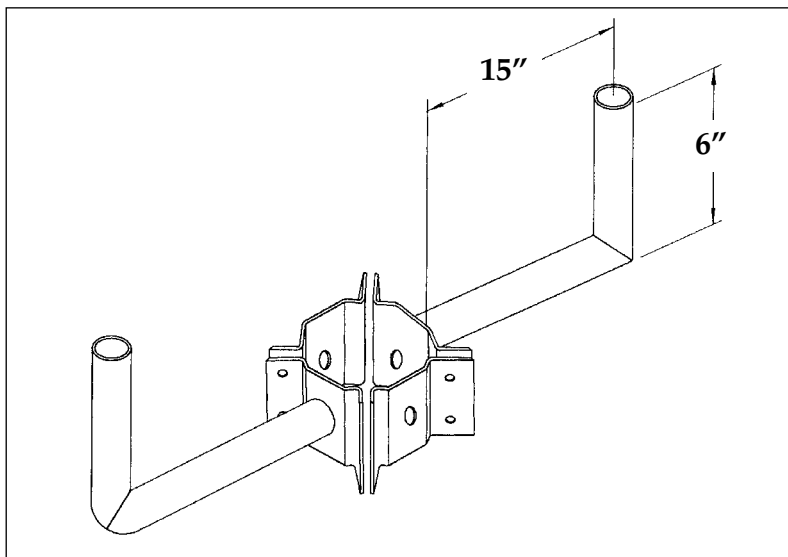
- ◆ W1-P-7-10
- ◆ W1-P-10-13

POLE DIA.

- 7"-10"
- 10"-13"

WT/LBS

- 21
- 21

WRAP AROUND BRACKET – TWO ARM**WOOD POLE MOUNTING**

- All brackets shipped complete with hardware
- Finish: Primer
- For hot dip galvanized, substitute "G" in place of "P"

STEEL**CATALOG NO.**

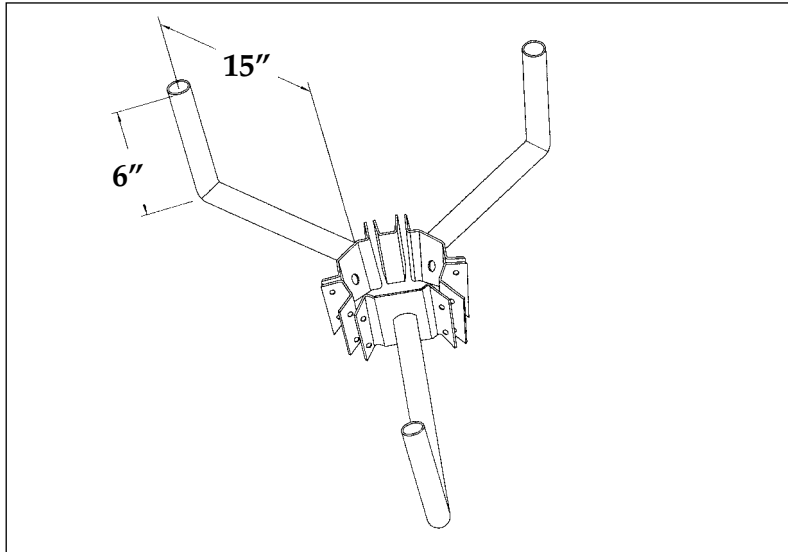
- ◆ W2-P-7-10
- ◆ W2-P-10-13
- ◆ indicates stock item (in limited quantity)

POLE DIA.

- 7"-10"
- 10"-13"

WT/LBS

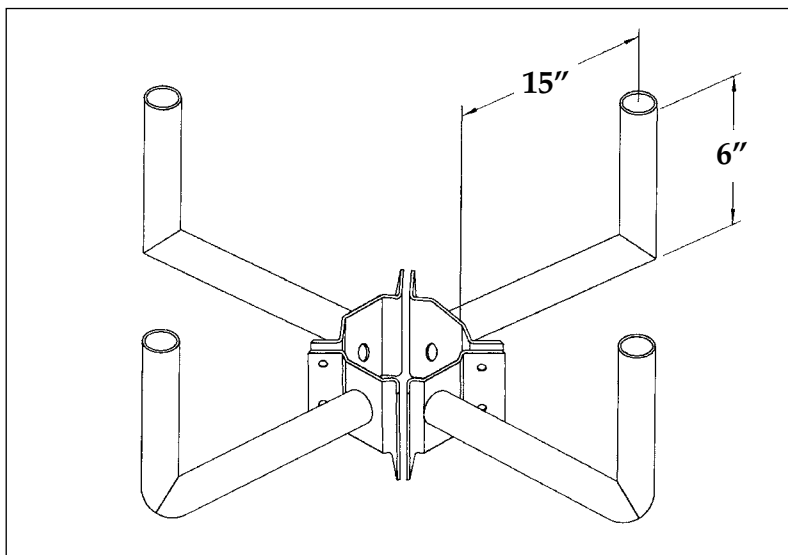
- 28
- 28

WRAP AROUND BRACKET – THREE ARM**WOOD POLE MOUNTING**

- All brackets shipped complete with hardware
- Finish: Primer
- For hot dip galvanized, substitute "G" in place of "P"

STEEL

CATALOG NO.	POLE DIA.	WT/LBS
◆ W3-P-7-10	7"-10"	32
◆ W3-P-10-13	10"-13"	35

WRAP AROUND BRACKET – FOUR ARM**WOOD POLE MOUNTING**

- All brackets shipped complete with hardware
- Finish: Primer
- For hot dip galvanized, substitute "G" in place of "P"

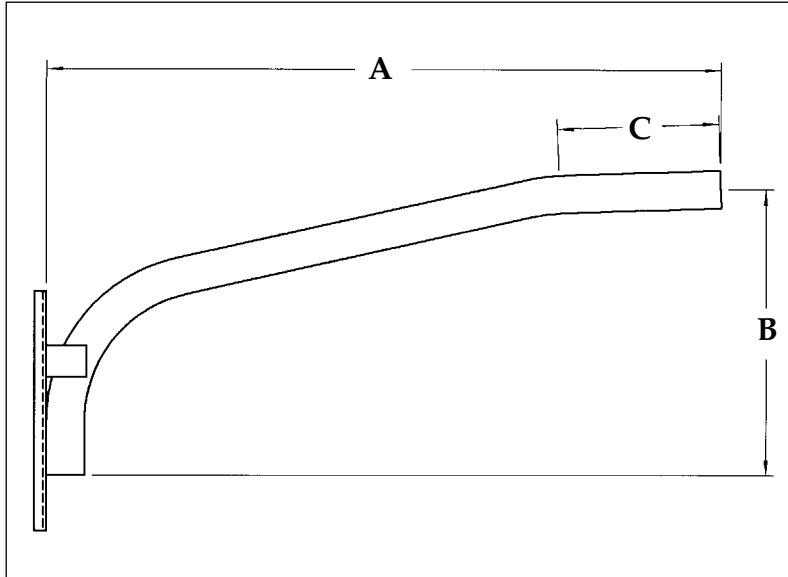
STEEL

CATALOG NO.	POLE DIA.	WT/LBS
◆ W4-P-7-10	7"-10"	43
◆ W4-P-10-13	10"-13"	43

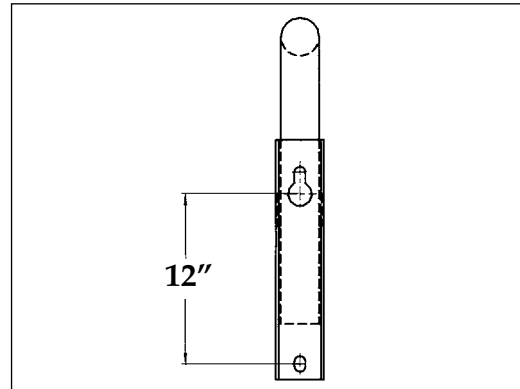
◆ indicates stock item (in limited quantity)

"P" SERIES - CANTILEVER STYLE BRACKET W/UNIVERSAL BASE

CONCRETE & STEEL POLE MOUNTING



- Round poles
- Square poles 4" and larger
- Octagonal poles having minimum 4" flat
- Mounting hardware not included



ALUMINUM

CATALOG NO.	PIPE SIZE	NOM. LGTH.	A	B	C	WT/LBS
P125A040B	1-1/4"	4'	42"	18"	10"	6
P200A040B	2"	4'	42"	18"	10"	8
◆ P200A060B	2"	6'	66"	24"	12"	11
P200A080B	2"	8'	90"	30"	15"	14

STEEL

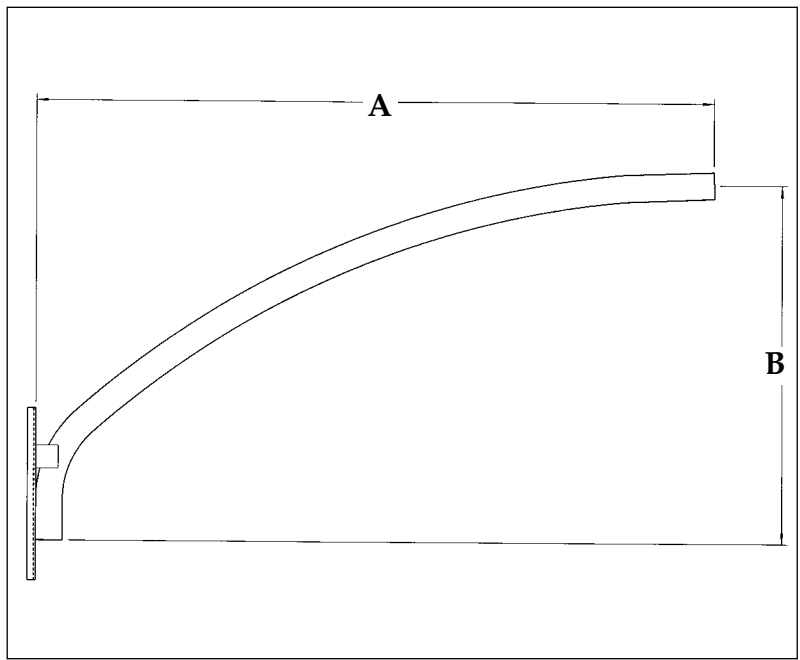
CATALOG NO.	PIPE SIZE	NOM. LGTH.	A	B	C	WT/LBS
P125S040B	1-1/4"	4'	42"	18"	10"	13
P125S060B	1-1/4"	6'	66"	24"	12"	17
P200S040B	2"	4'	42"	18"	10"	18
P200S060B	2"	6'	66"	24"	12"	24
P200S080B*	2"	8'	90"	30"	15"	30

*Also available with 1-1/4" slipfit end.

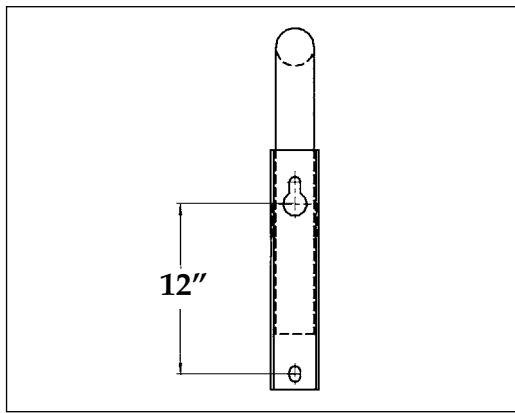
◆ indicates stock item (in limited quantity)

"U" SERIES - CONTINUOUS UPSWEEP BRACKET W/UNIVERSAL BASE

CONCRETE & STEEL POLE MOUNTING



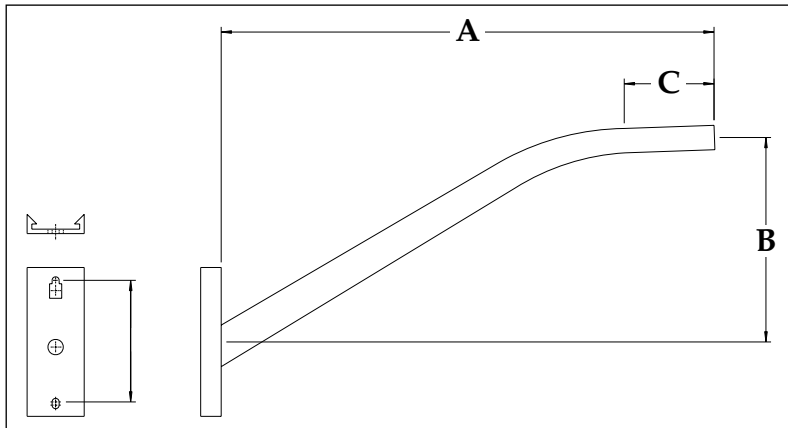
- Round poles
- Square poles 4" and larger
- Octagonal poles having minimum 4" flat
- Finish: hot dip galvanized
- Mounting hardware not included



STEEL

CATALOG NO.	PIPE SIZE	NOM. LGTH.	A	B	WT/LBS
◆U125S040B	1 1/4"	4"	43"	22"	16
◆U200S060B	2"	6"	66"	30"	29
U200S080B	2"	8"	90"	30"	36

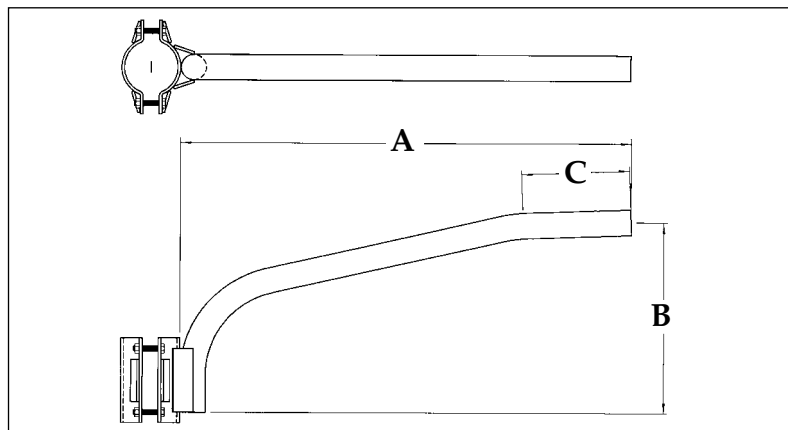
◆ indicates stock item (in limited quantity)

"B" SERIES - TAPERED ELLIPTICAL BRACKET**CONCRETE & STEEL POLE MOUNTING****FOR ROUND POLES**

- Mounting hardware not included
- Wiring access optional
- Consult manufacturer for mounting hole spacing

ALUMINUM

CATALOG NO.	PIPE SIZE	NOM. LGTH.	A	B	C	WT/LBS
◆B200A026-4.0	2"	2'-6"	30"	12"	10"	9
◆B200A040-3.0	2"	4'	48"	20 1/4"	8 3/4"	10
◆B200A060-3.5	2"	6'	72"	30 7/8"	10"	17
◆B200A080-4.0	2"	8'	96"	44 7/8"	9"	19
◆B200A100-4.0	2"	10'	120"	51 1/8"	12"	21

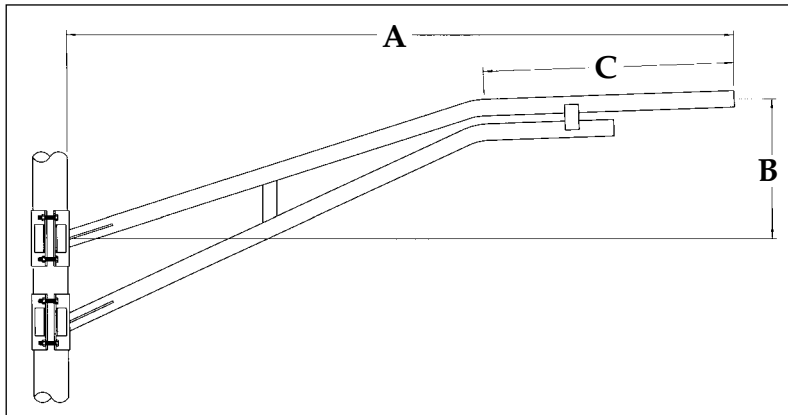
"E" SERIES - CANTILEVER STYLE BRACKET**CONCRETE & STEEL POLE MOUNTING****FOR ROUND POLES**

- Mounting hardware included
- Indicate pole diameter when ordering
- Finish: Hot dip galvanized
- Also available: square and octagonal pole mounting

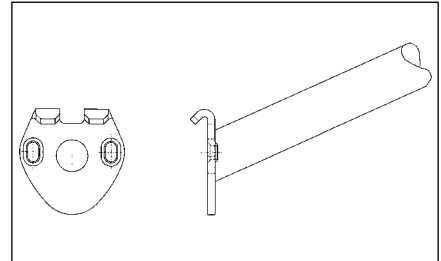
STEEL

CATALOG NO.	PIPE SIZE	NOM. LGTH.	A	B	C
E125S026NX	1-1/4"	2'-6"	30"	15"	10"
E125S040NX	1-1/4"	4'	42"	19"	10"
E125S060NX	1-1/4"	6'	66"	24"	12"
E200S026NX	2"	2'-6"	30"	15"	10"
E200S040NX	2"	4'	42"	19"	10"
E200S060NX	2"	6'	66"	24"	12"
E200S080NX	2"	8'	90"	30"	15"

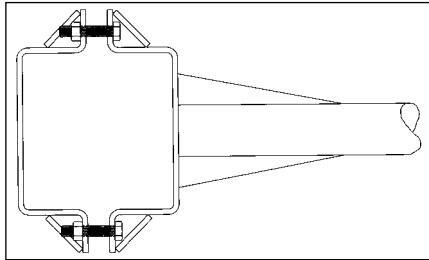
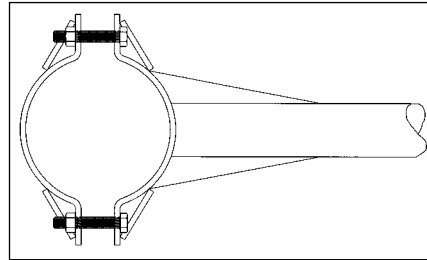
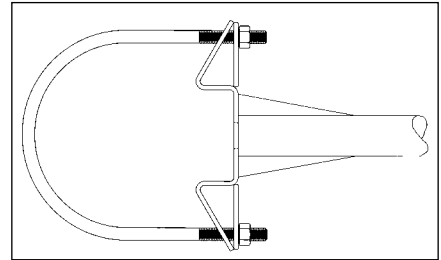
◆ indicates stock item (in limited quantity)

TRUSS BRACKET**CONCRETE & STEEL POLE MOUNTING**

- Indicate pole size and mounting style when ordering
- Octagonal pole mounting also available



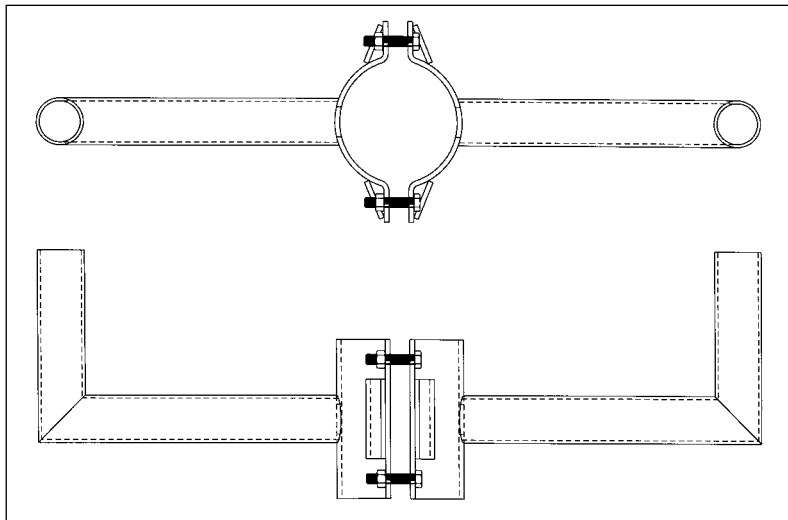
Simplex Mounting (Add SIMPX to P/N)

Square Pole Mounting
Mounting Hardware Included.Round Pole Mounting
Mounting Hardware Included.U-Bolt Mounting for Round Pole
Mounting Hardware Included.**ALUMINUM**

CATALOG NO.	PIPE SIZE	NOM. LGTH.	A	B	C	WT/LBS
C200A060NX	2"	6'	72"	13"	36"	20
C200A080NX	2"	8'	96"	21"	36"	25
C200A100NX	2"	10'	120"	28"	36"	30
C200A120NX	2"	12'	144"	36"	36"	35
C200A140NX	2"	14'	168"	44"	36"	40
C200A150NX	2"	15'	180"	48"	36"	45

STEEL

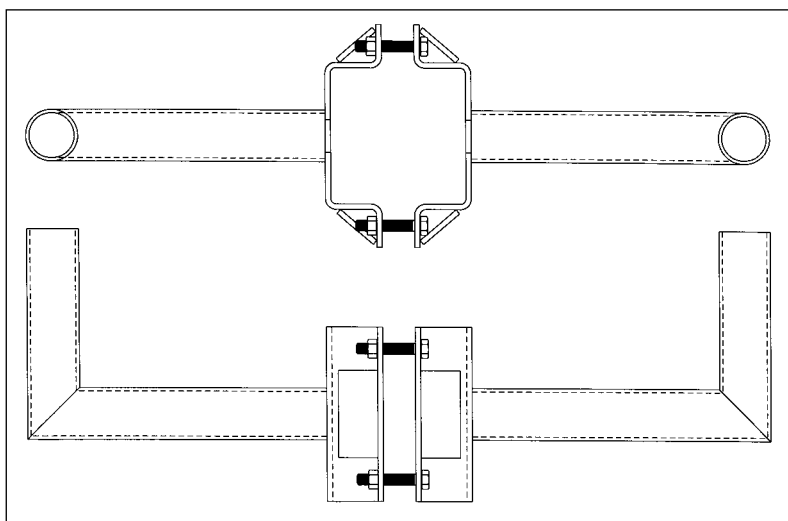
CATALOG NO.	PIPE SIZE	NOM. LGTH.	A	B	C	WT/LBS
C200S060NX	2"	6'	72"	13"	36"	58
C200S080NX	2"	8'	96"	21"	36"	72
C200S100NX	2"	10'	120"	28"	36"	85
C200S120NX	2"	12'	144"	36"	36"	99
C200S140NX	2"	14'	168"	44"	36"	112
C200S150NX	2"	15'	180"	48"	36"	122
C200S160NX	2"	16'	186"	52"	36"	171
C200S180NX	2"	18'	210"	60"	36"	188
C200S200NX	2"	20'	234"	68"	36"	205

RIGHT ANGLE WRAP BRACKET FOR ROUND POLES**CONCRETE & STEEL POLE MOUNTING**

- Indicate pole size when ordering
- Fixture mounting hardware included
- Specify finish: "G" for hot dip galvanized, "P" for primer, "DB" for dark bronze
- Single arm and 18" arms are also available
- Wrap brackets for octagonal poles are also available

STEEL

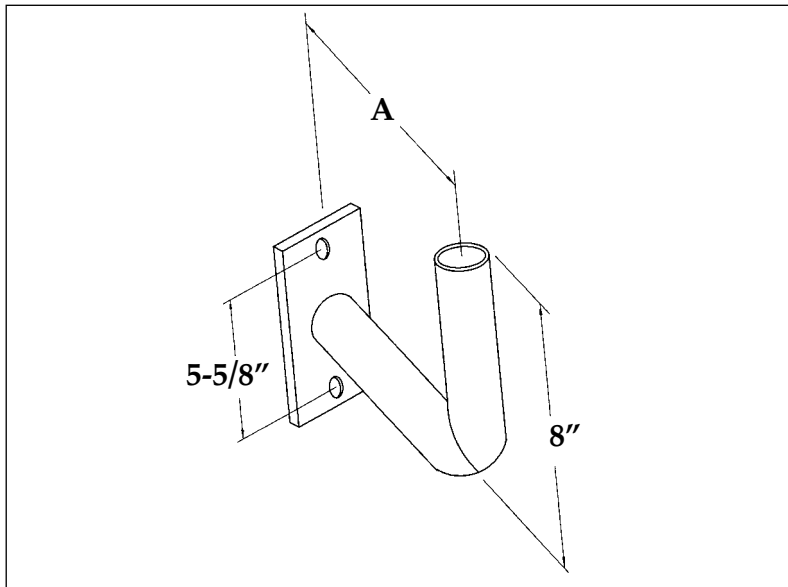
CATALOG NO.	ARM	PIPE SIZE	HORIZONTAL	VERTICAL
RABH-14-RNDB	SINGLE	2"	14"	8"
RABH-14-RNDB2	DOUBLE	2"	14"	8"

RIGHT ANGLE WRAP BRACKET FOR SQUARE POLES**CONCRETE & STEEL POLE MOUNTING**

- Indicate pole size when ordering
- Fixture mounting hardware included
- Specify finish: "G" for hot dip galvanized, "P" for primer, "DB" for dark bronze
- Single arm and 18" arms are also available
- Wrap brackets for octagonal poles are also available

STEEL

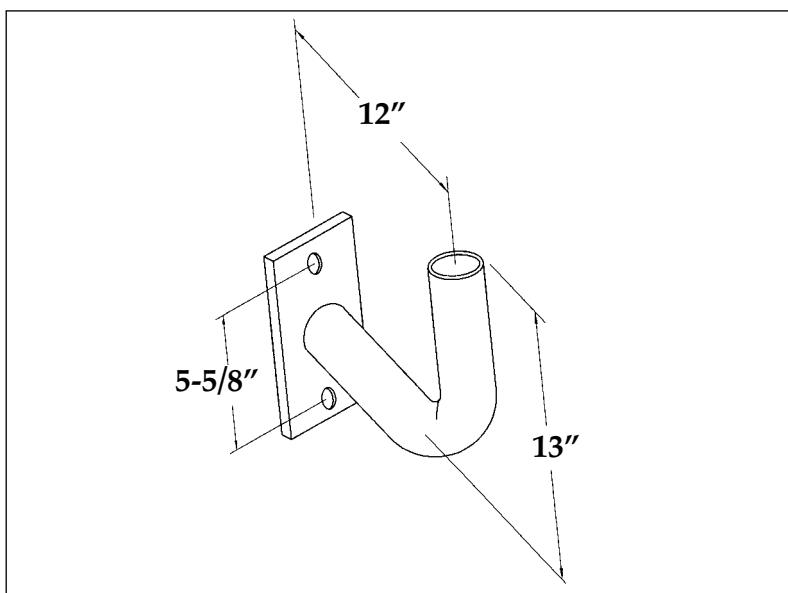
CATALOG NO.	ARM	PIPE SIZE	HORIZONTAL	VERTICAL
RABH-14-SNDB	SINGLE	2"	14"	8"
RABH-14-SNDB2	DOUBLE	2"	14"	8"

HEAVY RIGHT ANGLE BRACKET**SQUARE POLE MOUNTING**

- Minimum 4" square pole
- 9/16" diameter mounting holes
- 3-3/4" x 7" mounting plate
- Mounting hardware not included
- Finish: Primer
- For hot dip galvanized, substitute "G" in place of "P"
- For dark bronze, substitute "DB" in place of "P"

STEEL

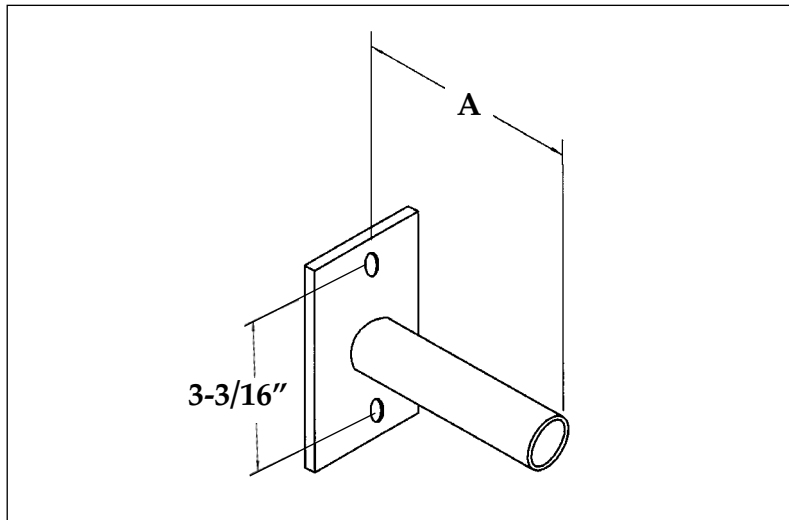
CATALOG NO.	PIPE SIZE	A	WT/LBS
RABHX-P	2"	8-1/2"	8
RABHX-14-P	2"	14"	10

RIGHT ANGLE BRACKET**SQUARE POLE MOUNTING**

- Minimum 4" square pole
- 9/16" diameter mounting holes
- 3-3/4" x 7" mounting plate
- Mounting hardware not included
- Finish: Primer
- For hot dip galvanized, substitute "G" in place of "P"
- For dark bronze, substitute "DB" in place of "P"

STEEL

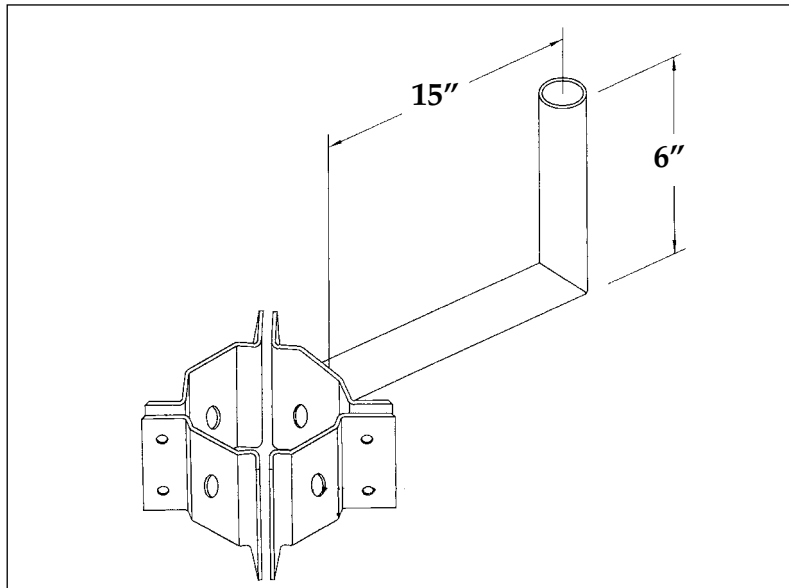
CATALOG NO.	PIPE SIZE	WT/LBS
◆ RABX-P	2"	7
◆ indicates stock item (in limited quantity)		

SIDE TENON BRACKET**SQUARE POLE MOUNTING**

- Minimum 4" square pole
- 9/16" diameter mounting holes
- 4" x 5-1/4" mounting plate
- Mounting hardware not included
- Finish: Primer
- For hot dip galvanized, substitute "G" in place of "P"
- For dark bronze, substitute "DB" in place of "P"

STEEL

CATALOG NO.	PIPE SIZE	PIPE LENGTH A	WT/LBS
ST-1-6P	1-1/4"	6-1/2"	4
ST-1-8P	1-1/4"	8"	4
ST-2-6P	2"	6-1/2"	4
ST-2-8P	2"	8"	4

WRAP AROUND BRACKET – ONE ARM**CONCRETE & STEEL POLE MOUNTING****FOR ROUND POLES**

- All brackets shipped complete with hardware
- Finish: Primer
- For hot dip galvanized, substitute "G" in place of "P"

STEEL**CATALOG NO.**

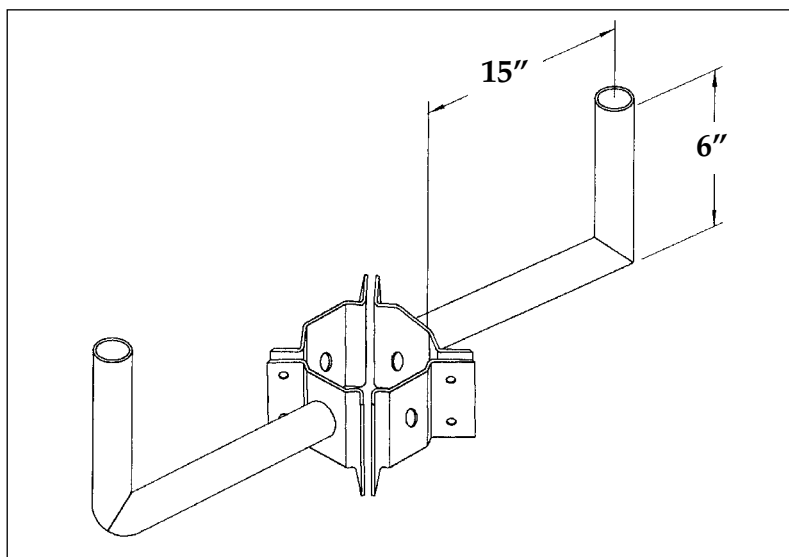
- ◆ W1-P-7-10
- ◆ W1-P-10-13

POLE DIA.

- 7"-10"
- 10"-13"

WT/LBS

- 21
- 21

WRAP AROUND BRACKET – TWO ARM**CONCRETE & STEEL POLE MOUNTING****FOR ROUND POLES**

- All brackets shipped complete with hardware
- Finish: Primer
- For hot dip galvanized, substitute "G" in place of "P"

STEEL**CATALOG NO.**

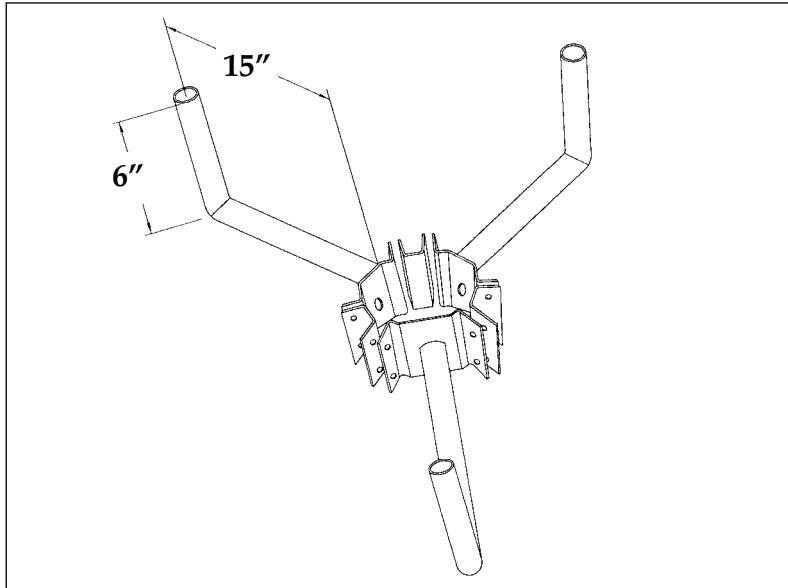
- ◆ W2-P-7-10
- ◆ W2-P-10-13
- ◆ indicates stock item (in limited quantity)

POLE DIA.

- 7"-10"
- 10"-13"

WT/LBS

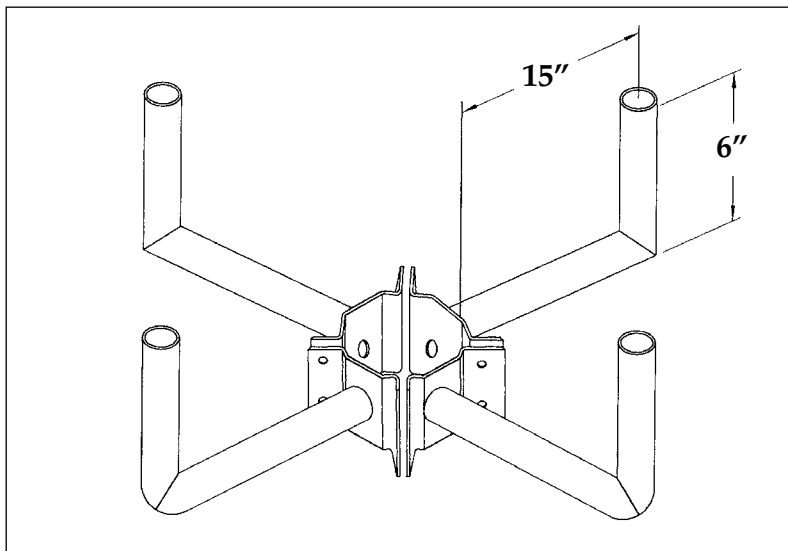
- 28
- 28

WRAP AROUND BRACKET – THREE ARM**CONCRETE & STEEL POLE MOUNTING****FOR ROUND POLES**

- All brackets shipped complete with hardware
- Finish: Primer
- For hot dip galvanized, substitute "G" in place of "P"

STEEL

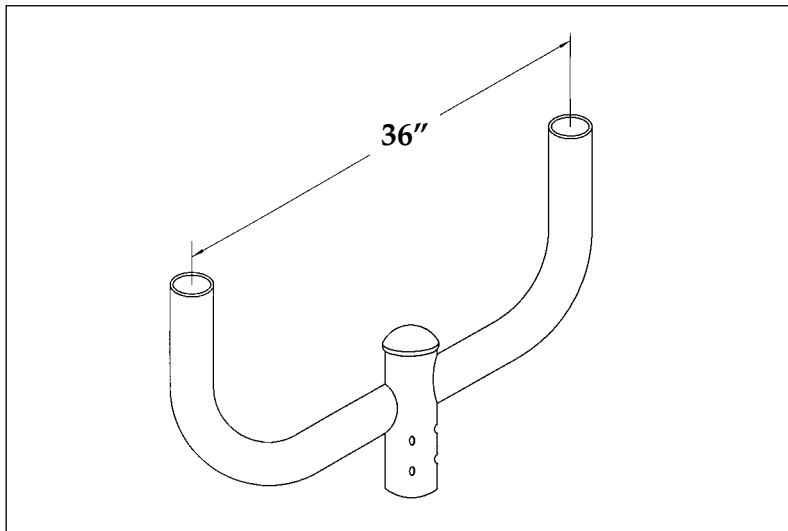
CATALOG NO.	POLE DIA.	WT/LBS
◆ W3-P-7-10	7"-10"	32
◆ W3-P-10-13	10"-13"	35

WRAP AROUND BRACKET – FOUR ARM**CONCRETE & STEEL POLE MOUNTING****FOR ROUND POLES**

- All brackets shipped complete with hardware
- Finish: Primer
- For hot dip galvanized, substitute "G" in place of "P"

STEEL

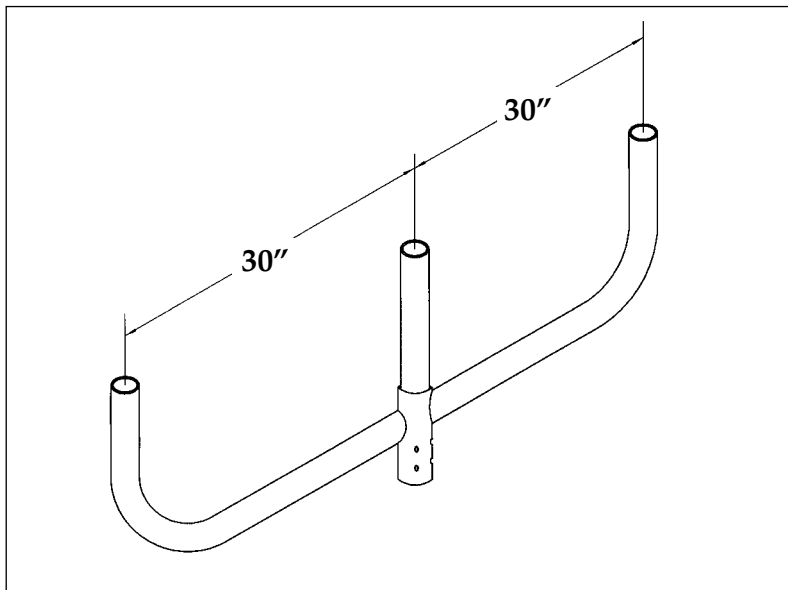
CATALOG NO.	POLE DIA.	WT/LBS
◆ W4-P-7-10	7"-10"	43
◆ W4-P-10-13	10"-13"	43
◆ indicates stock item (in limited quantity)		

BULL HORN BRACKET – TWO LIGHT**POLE TOP MOUNTING**

- Shipped with removable cap and mounting hardware assembled
- Finish: Primer
- For hot dip galvanized, substitute "G" in place of "P"
- For dark bronze, substitute "DB" in place of "P"

STEEL

CATALOG NO.	NUMBER TENONS	POLE TENON SIZE	WT/LBS
◆ S2-S36-2P	2 in line	2-3/8"	20
◆ S2-S36-3P	2 in line	2-7/8"	22
◆ S2-S36-4P	2 in line	4"	25

BULL HORN BRACKET – THREE LIGHT**POLE TOP MOUNTING**

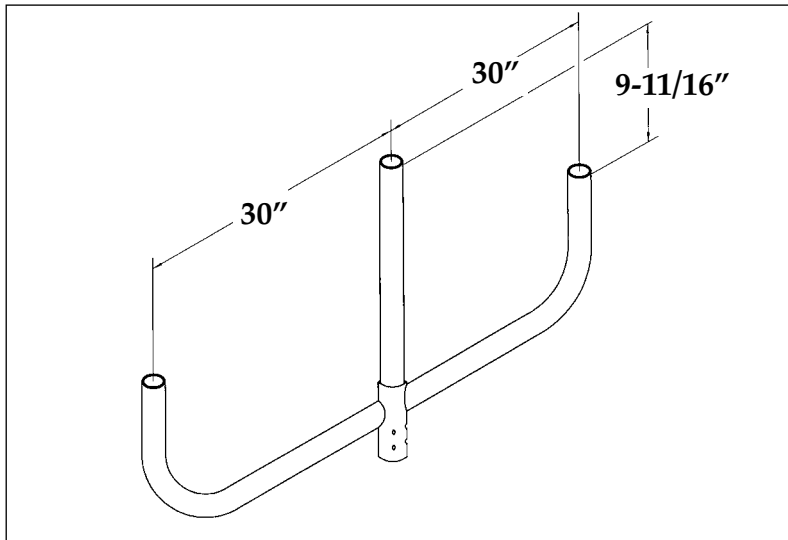
- Shipped with mounting hardware assembled
- Finish: Primer
- For hot dip galvanized, substitute "G" in place of "P"
- For dark bronze, substitute "DB" in place of "P"

STEEL

CATALOG NO.	NUMBER TENONS	POLE TENON SIZE	WT/LBS
◆ S3-S30-2P	3 in line	2-3/8"	31
◆ S3-S30-3P	3 in line	2-7/8"	33
◆ S3-S36-4P	3 in line	4"	37
◆ indicates stock item (in limited quantity)			

BULL HORN BRACKET – THREE LIGHT WITH EXTENDED CENTER TENON

POLE TOP MOUNTING



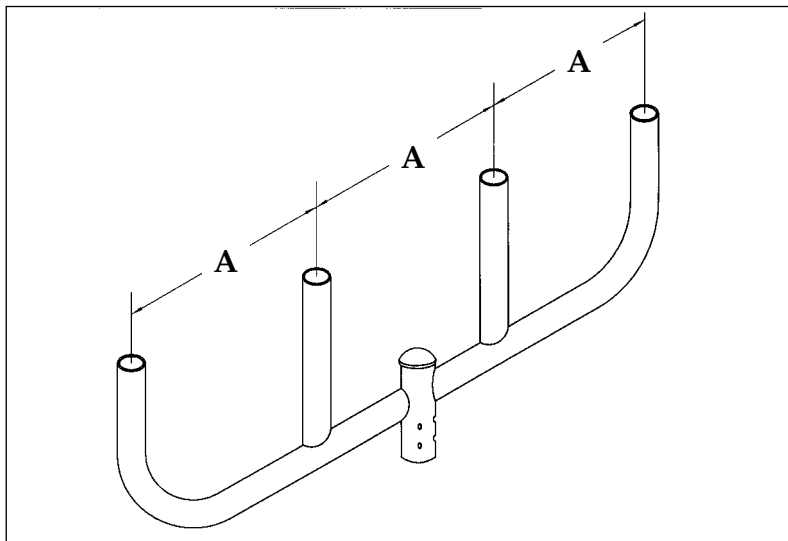
- Shipped with mounting hardware assembled
- Finish: Primer
- For hot dip galvanized, substitute "G" in place of "P"
- For dark bronze, substitute "DB" in place of "P"

STEEL

CATALOG NO.	NUMBER TENONS	POLE TENON SIZE	WT/LBS
S3-S30-2PX	3 in line	2-3/8"	34
S3-S30-3PX	3 in line	2-7/8"	36
S3-S30-4PX	3 in line	4"	40

BULL HORN BRACKET – FOUR LIGHT

POLE TOP MOUNTING

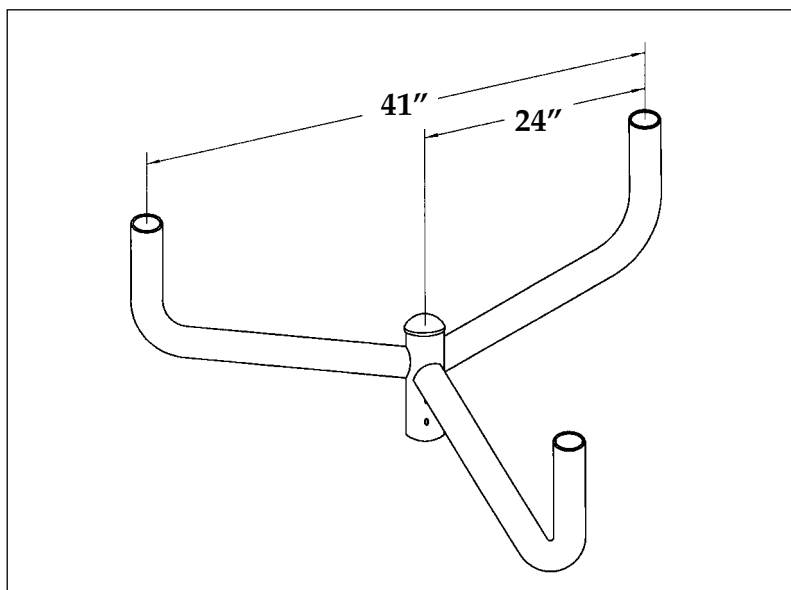


- Shipped with removable cap and mounting hardware assembled
- Finish: Primer
- For hot dip galvanized, substitute "G" in place of "P"
- For dark bronze, substitute "DB" in place of "P"

STEEL

CATALOG NO.	NUMBER TENONS	A	POLE TENON SIZE	WT/LBS
◆ S4-S30-2P	4 in line	30"	2-3/8"	44
S4-S30-3P	4 in line	30"	2-7/8"	46
S4-S36-4P	4 in line	36"	4"	55

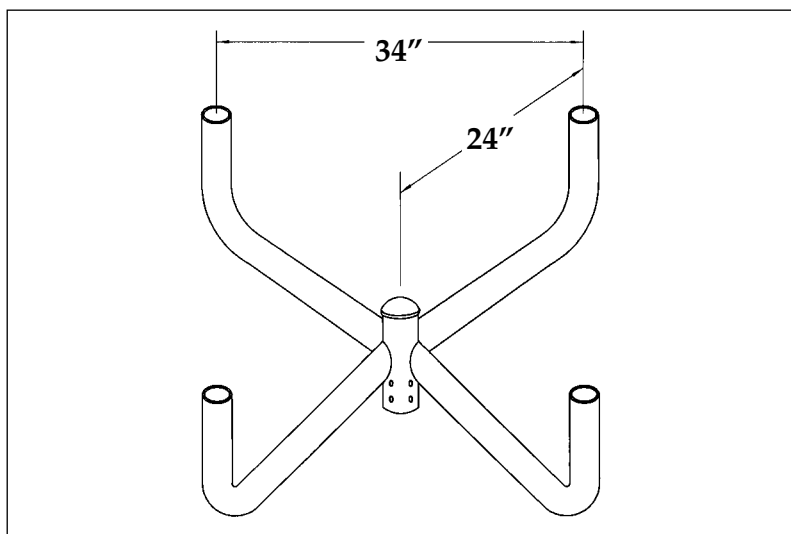
◆ indicates stock item (in limited quantity)

BULL HORN BRACKET – THREE LIGHT**POLE TOP MOUNTING**

- Shipped with removable cap and mounting hardware assembled
- Finish: Primer
- For hot dip galvanized, substitute "G" in place of "P"
- For dark bronze, substitute "DB" in place of "P"

STEEL

CATALOG NO.	NUMBER TENONS	POLE TENON SIZE	WT/LBS
◆ S3-A24-2P	3 @ 120°	2-3/8"	33
S3-A24-3P	3 @ 120°	2-7/8"	35
S3-A24-4P	3 @ 120°	4"	39

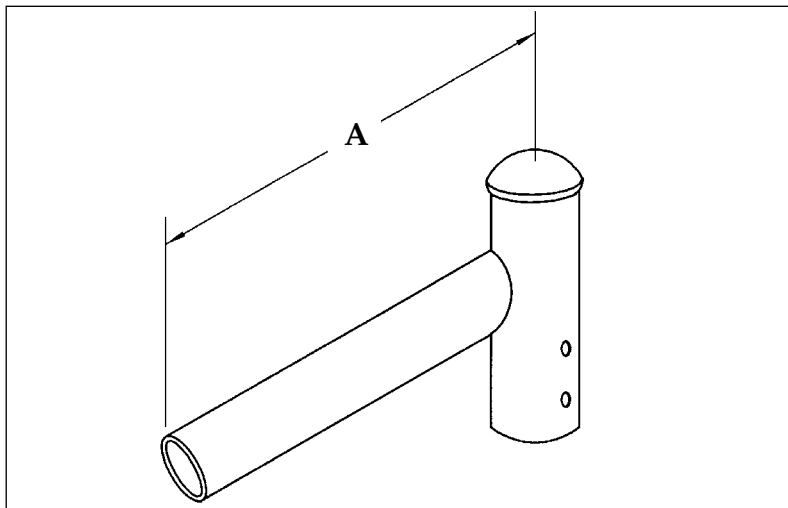
BULL HORN BRACKET – FOUR LIGHT**POLE TOP MOUNTING**

- Shipped with removable cap and mounting hardware assembled
- Finish: Primer
- For hot dip galvanized, substitute "G" in place of "P"
- For dark bronze, substitute "DB" in place of "P"

STEEL

CATALOG NO.	NUMBER TENONS	POLE TENON SIZE	WT/LBS
◆ S4-A24-2P	4 @ 90°	2-3/8"	43
S4-A24-3P	4 @ 90°	2-7/8"	45
S4-A24-4P	4 @ 90°	4"	47

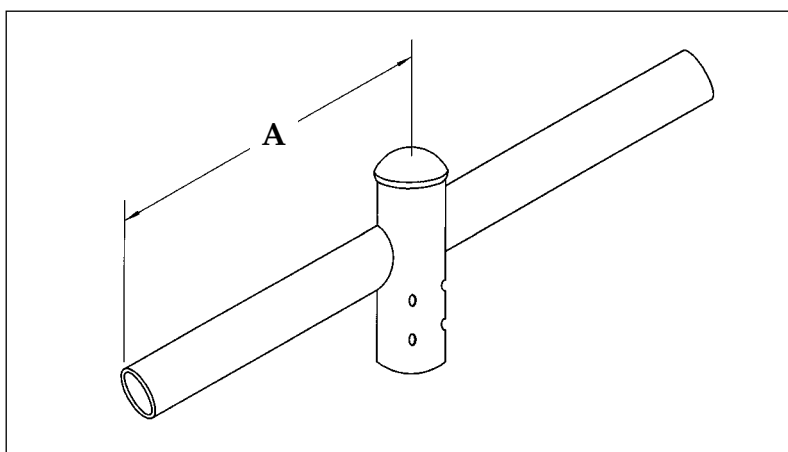
◆ indicates stock item (in limited quantity)

SPOKE BRACKET – ONE ARM**POLE TOP MOUNTING**

- Shipped with removable cap and mounting hardware assembled
- Catalog number shown to slipfit on 2-3/8" pole tenon
- Also available to slipfit 2-7/8" & 4" pole tenons
- Finish: Primer
- For hot dip galvanized, substitute "G" in place of "P"
- For dark bronze, substitute "DB" in place of "P"

STEEL

CATALOG NO.	NUMBER TENONS	A	WT/LBS
SB-100-08-2P	1	8"	6
◆ SB-100-12-2P	1	12"	7
SB-100-15-2P	1	15"	8
◆ SB-100-24-2P	1	24"	11
SB-100-30-2P	1	30"	13
SB-100-36-2P	1	36"	15

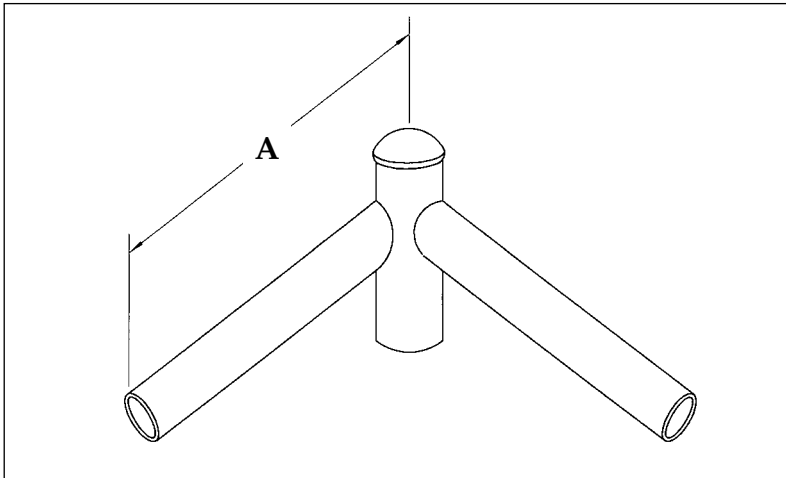
SPOKE BRACKET – TWO ARM**POLE TOP MOUNTING**

- Shipped with removable cap and mounting hardware assembled
- Catalog number shown to slipfit on 2-3/8" pole tenon
- Also available to slipfit 2-7/8" & 4" pole tenons
- Finish: Primer
- For hot dip galvanized, substitute "G" in place of "P"
- For dark bronze, substitute "DB" in place of "P"

STEEL

CATALOG NO.	NUMBER TENONS	A	WT/LBS
SB-218-08-2P	2 @ 180°	8"	9
SB-218-12-2P	2 @ 180°	12"	11
◆ SB-218-15-2P	2 @ 180°	15"	13
SB-218-24-2P	2 @ 180°	24"	18
SB-218-30-2P	2 @ 180°	30"	22
SB-218-36-2P	2 @ 180°	36"	26

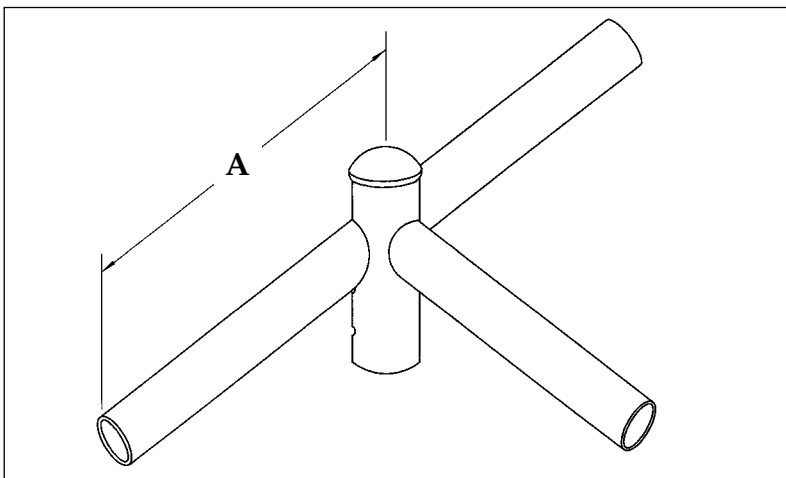
◆ indicates stock item (in limited quantity)

SPOKE BRACKET - TWO ARM**POLE TOP MOUNTING**

- Shipped with removable cap and mounting hardware assembled
- Catalog number shown to slipfit on 2-3/8" pole tenon
- Also available to slipfit 2-7/8" & 4" pole tenons
- Finish: Primer
- For hot dip galvanized, substitute "G" in place of "P"
- For dark bronze, substitute "DB" in place of "P"

STEEL

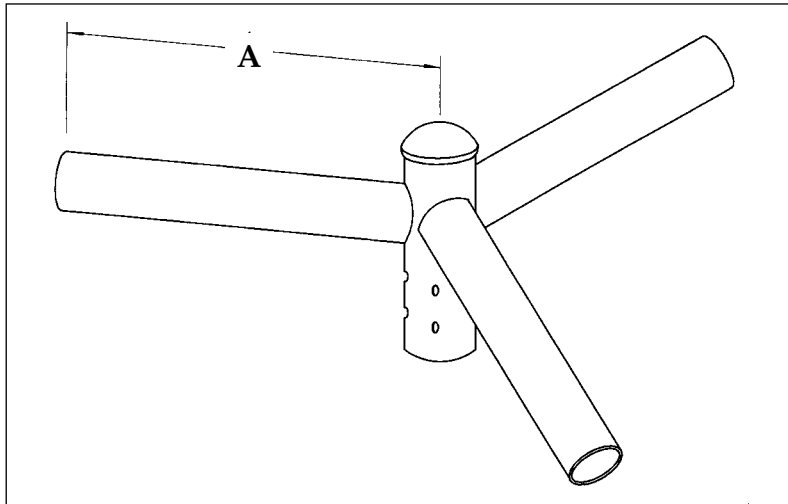
CATALOG NO.	NUMBER TENONS	A	WT/LBS
SB-290-08-2P	2 @ 90°	8"	9
SB-290-12-2P	2 @ 90°	12"	11
SB-290-15-2P	2 @ 90°	15"	13
SB-290-24-2P	2 @ 90°	24"	18
SB-290-30-2P	2 @ 90°	30"	22
SB-290-36-2P	2 @ 90°	36"	26

SPOKE BRACKET - THREE ARM**POLE TOP MOUNTING**

- Shipped with removable cap and mounting hardware assembled
- Catalog number shown to slipfit on 2-3/8" pole tenon
- Also available to slipfit 2-7/8" & 4" pole tenons
- Finish: Primer
- For hot dip galvanized, substitute "G" in place of "P"
- For dark bronze, substitute "DB" in place of "P"

STEEL

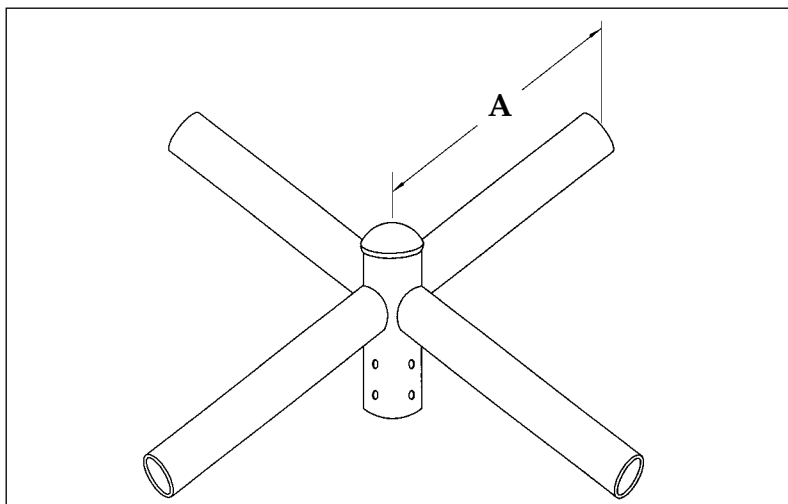
CATALOG NO.	NUMBER TENONS	A	WT/LBS
SB-390-08-2P	3 @ 90°	8"	11
SB-390-12-2P	3 @ 90°	12"	15
SB-390-15-2P	3 @ 90°	15"	17
SB-390-24-2P	3 @ 90°	24"	25
SB-390-30-2P	3 @ 90°	30"	30
SB-390-36-2P	3 @ 90°	36"	36

SPOKE BRACKET - THREE ARM**POLE TOP MOUNTING**

- Shipped with removable cap and mounting hardware assembled
- Catalog number shown to slipfit on 2-3/8" pole tenon
- Also available to slipfit 2-7/8" & 4" pole tenons
- Finish: Primer
- For hot dip galvanized, substitute "G" in place of "P"
- For dark bronze, substitute "DB" in place of "P"

STEEL

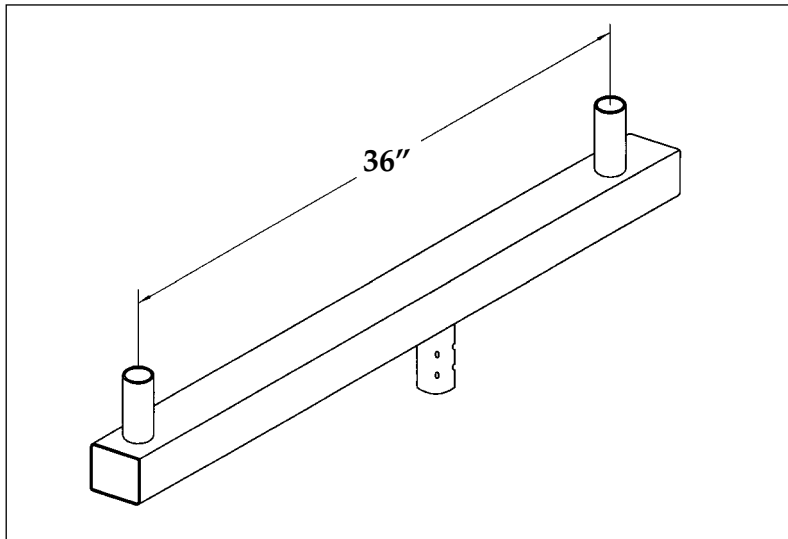
CATALOG NO.	NUMBER TENONS	A	WT/LBS
SB-312-08-2P	3 @ 120°	8"	11
SB-312-12-2P	3 @ 120°	12"	15
SB-312-15-2P	3 @ 120°	15"	17
SB-312-24-2P	3 @ 120°	24"	25
SB-312-30-2P	3 @ 120°	30"	30
SB-312-36-2P	3 @ 120°	36"	36

SPOKE BRACKET - FOUR ARM**POLE TOP MOUNTING**

- Shipped with removable cap and mounting hardware assembled
- Catalog number shown to slipfit on 2-3/8" pole tenon
- Also available to slipfit 2-7/8" & 4" pole tenons
- Finish: Primer
- For hot dip galvanized, substitute "G" in place of "P"
- For dark bronze, substitute "DB" in place of "P"

STEEL

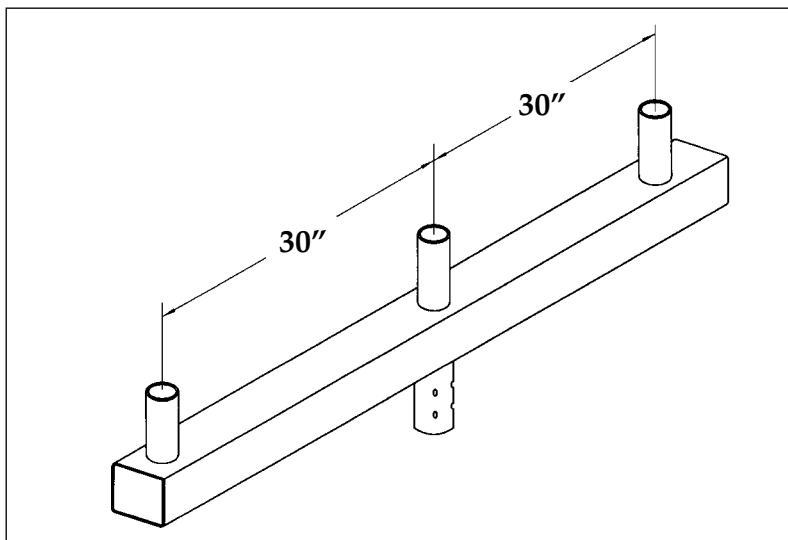
CATALOG NO.	NUMBER TENONS	A	WT/LBS
SB-490-08-2P	4 @ 90°	8"	13
SB-490-12-2P	4 @ 90°	12"	17
SB-490-15-2P	4 @ 90°	15"	21
SB-490-24-2P	4 @ 90°	24"	32
SB-490-30-2P	4 @ 90°	30"	39
SB-490-36-2P	4 @ 90°	36"	47

ROUND SQUARE ROUND BRACKET - TWO LIGHT**POLE TOP MOUNTING**

- Shipped with mounting hardware assembled
- Finish: Primer
- For hot dip galvanized, substitute "G" in place of "P"
- For dark bronze, substitute "DB" in place of "P"

STEEL

CATALOG NO.	NUMBER TENONS	POLE TENON SIZE	WT/LBS
◆ RSR-B2-2P	2 in line	2-3/8"	20
RSR-B2-3P	2 in line	2-7/8"	23
RSR-B2-4P	2 in line	4"	26

ROUND SQUARE ROUND BRACKET - THREE LIGHT**POLE TOP MOUNTING**

- Shipped with mounting hardware assembled
- Finish: Primer
- For hot dip galvanized, substitute "G" in place of "P"
- For dark bronze, substitute "DB" in place of "P"

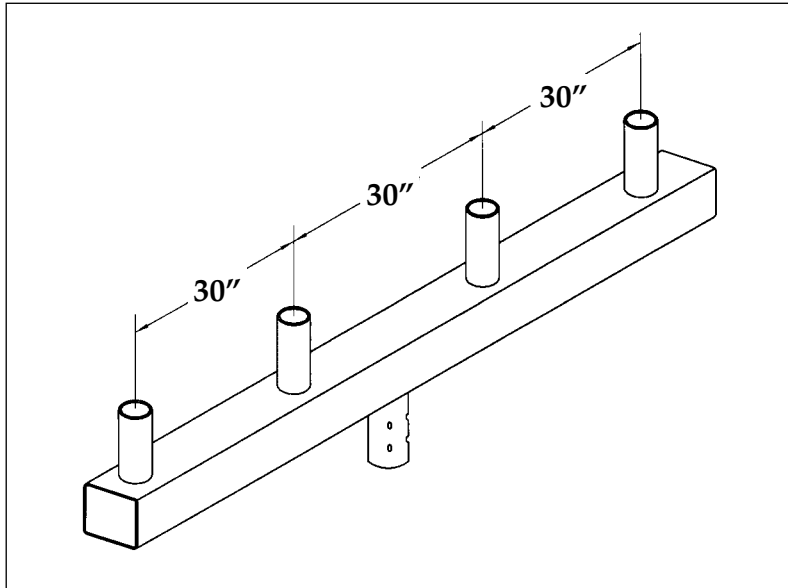
STEEL

CATALOG NO.	NUMBER TENONS	POLE TENON SIZE	WT/LBS
◆ RSR-B3-2P	3 in line	2-3/8"	31
RSR-B3-3P	3 in line	2-7/8"	33
RSR-B3-4P	3 in line	4"	37

◆ indicates stock item (in limited quantity)

ROUND SQUARE ROUND BRACKET - FOUR LIGHT

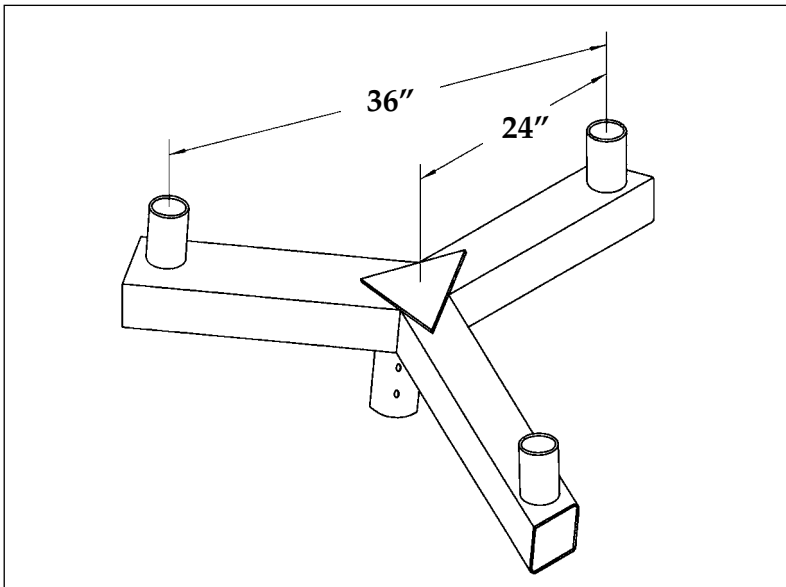
POLE TOP MOUNTING



- Shipped with mounting hardware assembled
- Finish: Primer
- For hot dip galvanized, substitute "G" in place of "P"
- For dark bronze, substitute "DB" in place of "P"

STEEL

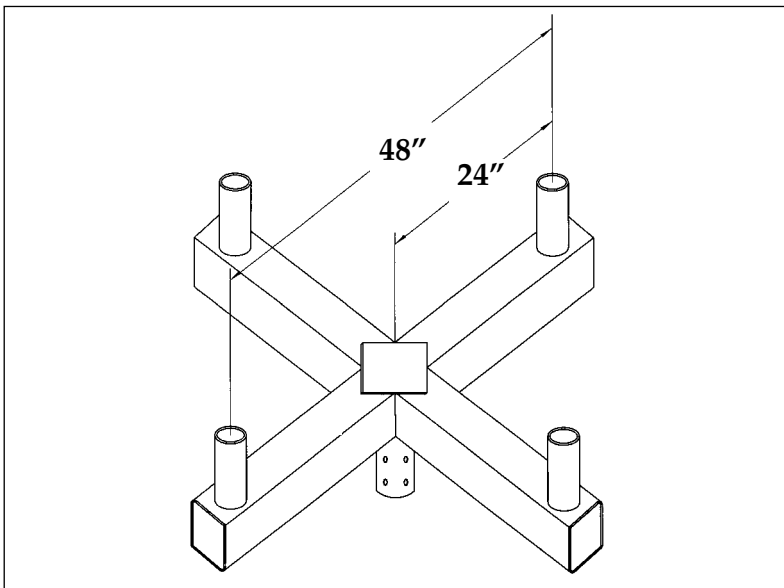
CATALOG NO.	NUMBER TENONS	POLE TENON SIZE	WT/LBS
RSR-B4-2P	4 in line	2-3/8"	44
RSR-B4-3P	4 in line	2-7/8"	46
RSR-B4-4P	4 in line	4"	50

ROUND SQUARE ROUND BRACKET - THREE LIGHT**POLE TOP MOUNTING**

- Shipped with mounting hardware assembled
- Finish: Primer
- For hot dip galvanized, substitute "G" in place of "P"
- For dark bronze, substitute "DB" in place of "P"

STEEL

CATALOG NO.	NUMBER TENONS	POLE TENON SIZE	WT/LBS
RSR-T3-2P	3 @ 120°	2-3/8"	39
RSR-T3-3P	3 @ 120°	2-7/8"	42
RSR-T3-4P	3 @ 120°	4"	46

ROUND SQUARE ROUND BRACKET - FOUR LIGHT**POLE TOP MOUNTING**

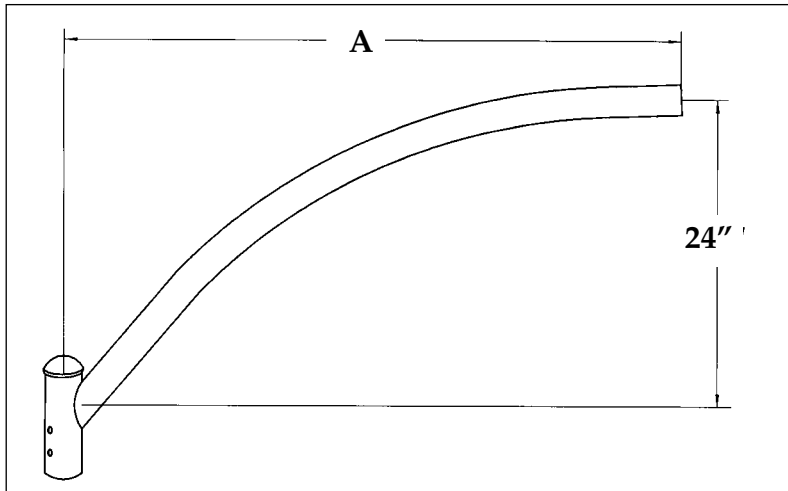
- Shipped with mounting hardware assembled
- Finish: Primer
- For hot dip galvanized, substitute "G" in place of "P"
- For dark bronze, substitute "DB" in place of "P"

STEEL

CATALOG NO.	NUMBER TENONS	POLE TENON SIZE	WT/LBS
RSR-T4-2P	4 @ 90°	2-3/8"	48
RSR-T4-3P	4 @ 90°	2-7/8"	51
RSR-T4-4P	4 @ 90°	4"	55

UPSWEEP BRACKET - ONE LIGHT

POLE TOP MOUNTING



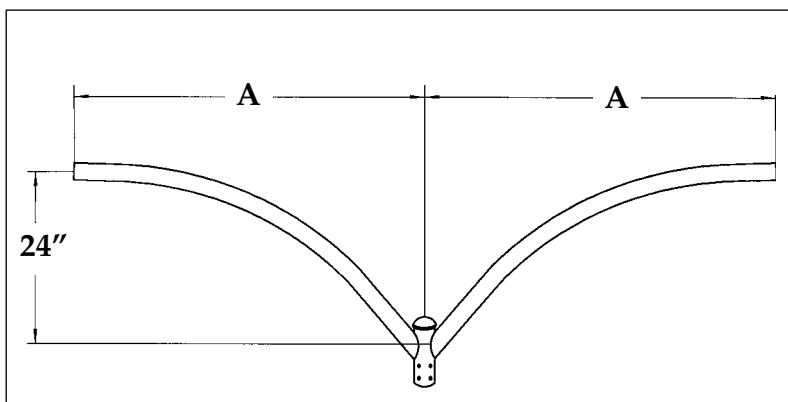
- Shipped with removable cap and mounting hardware assembled
- Finish: Primer
- For hot dip galvanized, substitute "G" in place of "P"
- For dark bronze, substitute "DB" in place of "P"

STEEL

CATALOG NO.	NUMBER ARMS	A	POLE TENON SIZE	WT/LBS
UB1-4-2P	1	48"	2-3/8"	21
UB1-4-3P	1	48"	2-7/8"	23
UB1-4-4P	1	48"	4"	27
◆ UB1-6-2P	1	72"	2-3/8"	28
UB1-6-3P	1	72"	2-7/8"	30
UB1-6-4P	1	72"	4"	34

UPSWEEP BRACKET - TWO LIGHT

POLE TOP MOUNTING

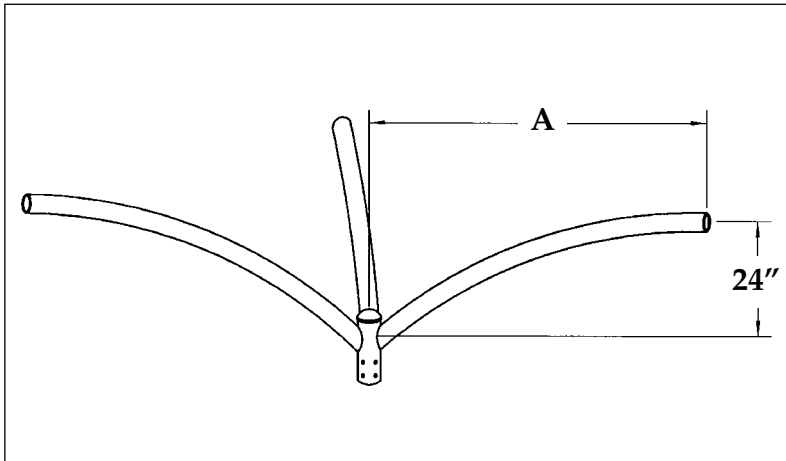


- Shipped with removable cap and mounting hardware assembled
- Finish: Primer
- For hot dip galvanized, substitute "G" in place of "P"
- For dark bronze, substitute "DB" in place of "P"

STEEL

CATALOG NO.	NUMBER ARMS	A	POLE TENON SIZE	WT/LBS
UB2-4-2P	2 @ 180°	48"	2-3/8"	38
UB2-4-3P	2 @ 180°	48"	2-7/8"	40
UB2-4-4P	2 @ 180°	48"	4"	44
◆ UB2-6-2P	2 @ 180°	72"	2-3/8"	52
UB2-6-3P	2 @ 180°	72"	2-7/8"	54
UB2-6-4P	2 @ 180°	72"	4"	58

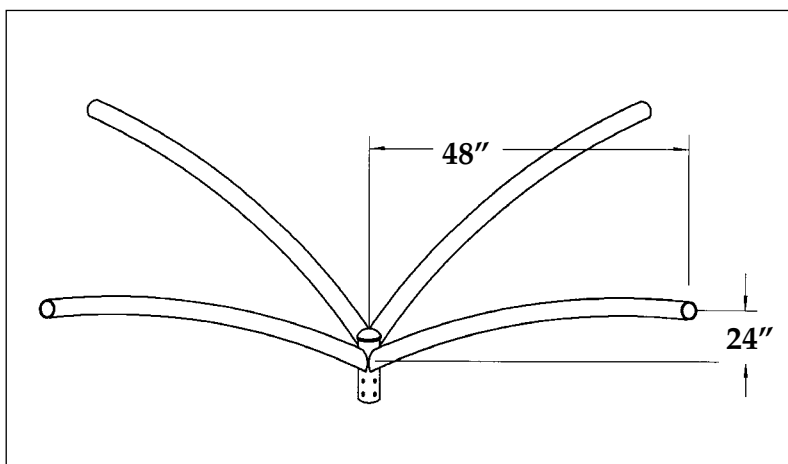
◆ indicates stock item (in limited quantity)

UPSWEEP BRACKET - THREE LIGHT**POLE TOP MOUNTING**

- Shipped with removable cap and mounting hardware assembled
- Finish: Primer
- For hot dip galvanized, substitute "G" in place of "P"
- For dark bronze, substitute "DB" in place of "P"

STEEL

CATALOG NO.	NUMBER ARMS	A	POLE TENON SIZE	WT/LBS
UB3-4-2P	3 @ 120°	48"	2-3/8"	54
UB3-4-3P	3 @ 120°	48"	2-7/8"	56
UB3-4-4P	3 @ 120°	48"	4"	60
UB3-6-2P	3 @ 120°	72"	2-3/8"	77
UB3-6-3P	3 @ 120°	72"	2-7/8"	78
UB3-6-4P	3 @ 120°	72"	4"	82

UPSWEEP BRACKET - FOUR LIGHT**POLE TOP MOUNTING**

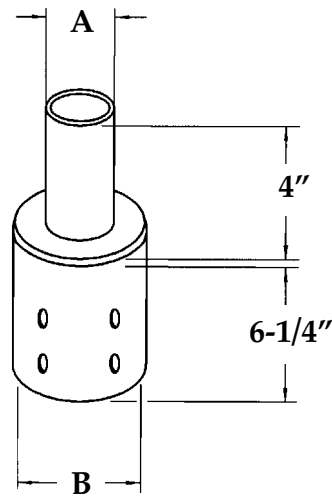
- Shipped with removable cap and mounting hardware assembled
- Finish: Primer
- For hot dip galvanized, substitute "G" in place of "P"
- For dark bronze, substitute "DB" in place of "P"

STEEL

CATALOG NO.	NUMBER ARMS	POLE TENON SIZE	WT/LBS
UB4-4-2P	4 @ 90°	2-3/8"	71
UB4-4-3P	4 @ 90°	2-7/8"	73
UB4-4-4P	4 @ 90°	4"	77

EXTERNAL TENON REDUCER FOR ROUND POLES

POLE TOP MOUNTING



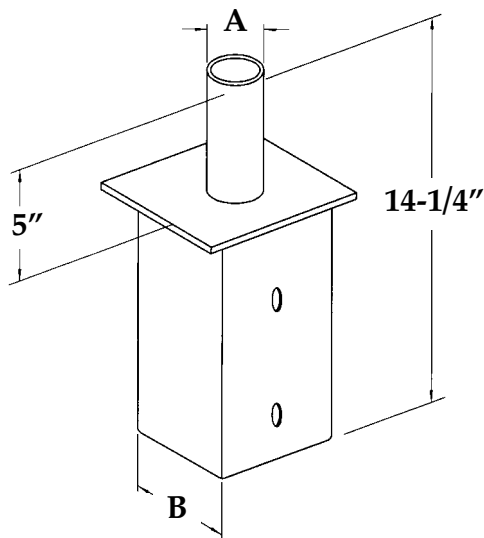
- Custom sizes can be manufactured for specific applications
- Shipped with mounting hardware assembled
- External Mounting
- Finish: Primer
- For hot dip galvanized, substitute "G" in place of "P"

STEEL

CATALOG NO.	A (O.D.)	B (I.D.)	WT/LBS
◆ TR-30-2P	2-3/8"	3-1/4" for 3" O.D. pole top	9
◆ TR-35-2P	2-3/8"	3-13/16" for 3-1/2" O.D. pole top	10
◆ TR-40-2P	2-3/8"	4-1/4" for 4" O.D. pole top	9
TR-40-3P	2-7/8"	4-1/4" for 4" O.D. pole top	10

INTERNAL TENON ADAPTER FOR SQUARE POLES

POLE TOP MOUNTING



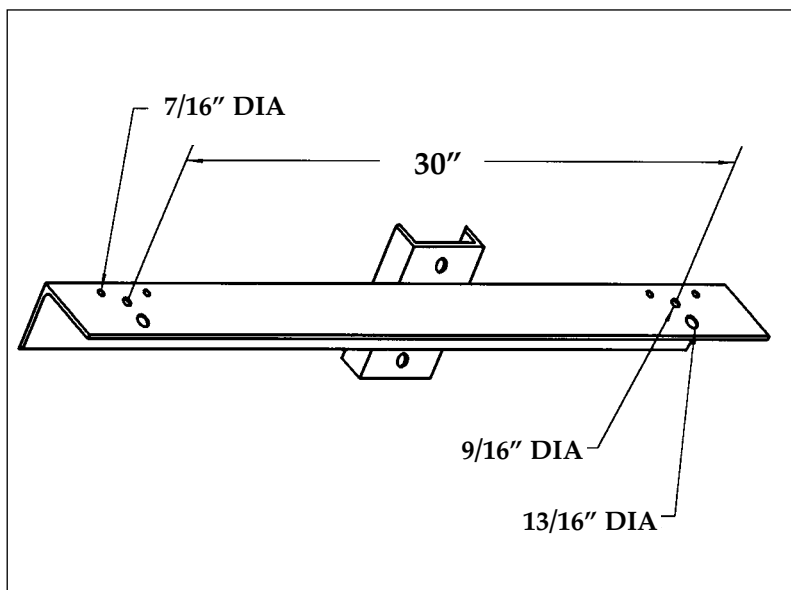
- Custom sizes can be manufactured for specific applications
- Shipped with mounting hardware assembled
- Internal Mounting
- Finish: Dark bronze "DB"
Primer "P"
- For hot dip galvanized, substitute "G"

STEEL

CATALOG NO.	A (O.D.)	B	WT/LBS
◆ RTASQ-4-2DB for 4" square pole	2-3/8"	3"	7
◆ RTASQ-5-2DB for 5" square pole	2-3/8"	4"	9
◆ RTASQ-6-2DB for 6" square pole	2-3/8"	5"	14
RTASQ-4-3.5P for 4" square pole	3-1/2"	3"	9
RTASQ-5-3.5P for 5" square pole	3-1/2"	4"	9
RTASQ-6-3.5P for 6" square pole	3-1/2"	5"	14

◆ indicates stock item (in limited quantity)

TWO LIGHT BRACKET



SPORTS LIGHTING

- Mounting hardware not included
- Finish: Primer "P" or Hot dip galvanized "G"
- Minimum pole diameter for mounting is 4"
- For square poles and diameters less than 4" – see page 36

STEEL

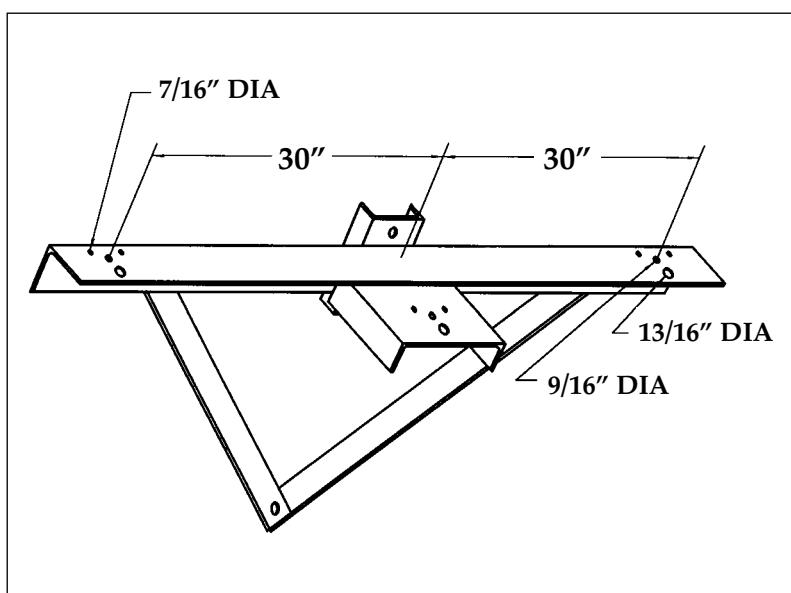
CATALOG NO.

- ◆ S2-T2-WPP
- ◆ S2-T2-WPG

WT/LBS

- 21
- 23

THREE LIGHT BRACKET WITH STANDOFF



SPORTS LIGHTING

- Mounting hardware not included
- Finish: Primer "P" or Hot dip galvanized "G"
- Minimum pole diameter for mounting is 4"
- For square poles and diameters less than 4" – see page 36

STEEL

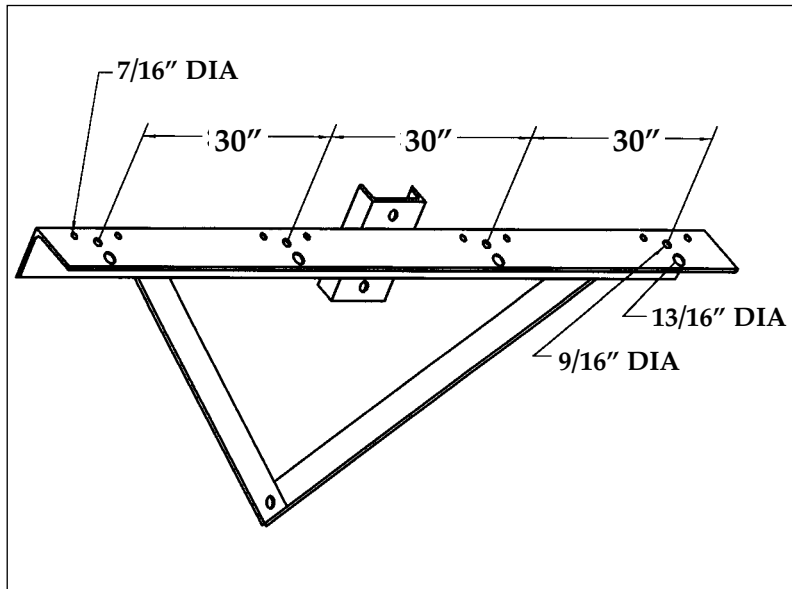
CATALOG NO.

- ◆ S3-T3-WPPM
- ◆ S3-T3-WPGM
- ◆ indicates stock item (in limited quantity)

WT/LBS

- 68
- 73

FOUR LIGHT BRACKET



SPORTS LIGHTING

- Mounting hardware not included
- Finish: Primer "P" or Hot dip galvanized "G"
- Minimum pole diameter for mounting is 4"
- For square poles and diameters less than 4" – see page 36

STEEL

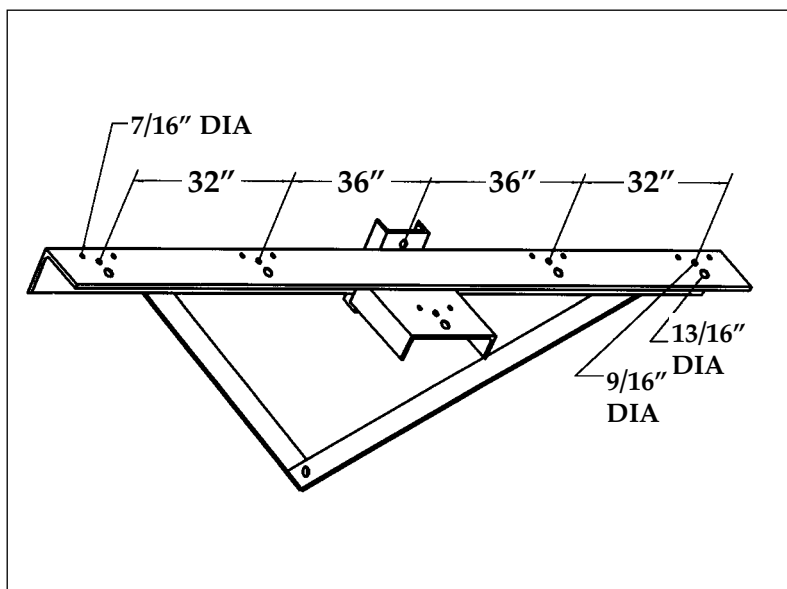
CATALOG NO.

- ◆ S4-T4-WPP
- ◆ S4-T4-WPG

WT/LBS

- 89
- 96

FIVE LIGHT BRACKET WITH STANDOFF



SPORTS LIGHTING

- Mounting hardware not included
- Finish: Primer "P" or Hot dip galvanized "G"
- Minimum pole diameter for mounting is 4"
- For square poles and diameters less than 4" – see page 36

STEEL

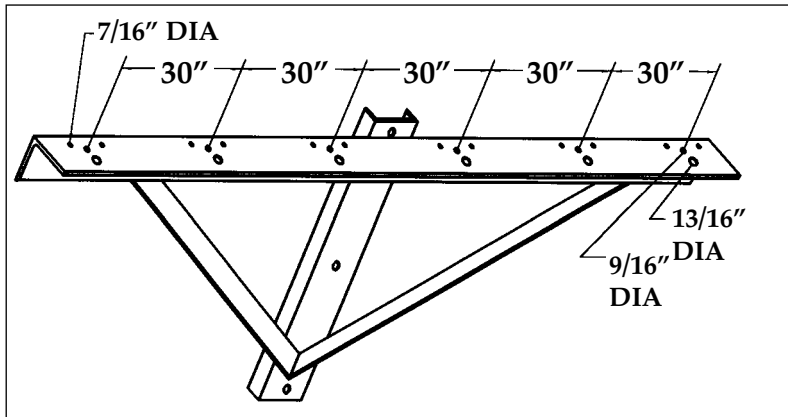
CATALOG NO.

- S5-T5-WPPM
- ◆ S5-T5-WPGM
- ◆ indicates stock item (in limited quantity)

WT/LBS

- 130
- 142

SIX LIGHT BRACKET



SPORTS LIGHTING

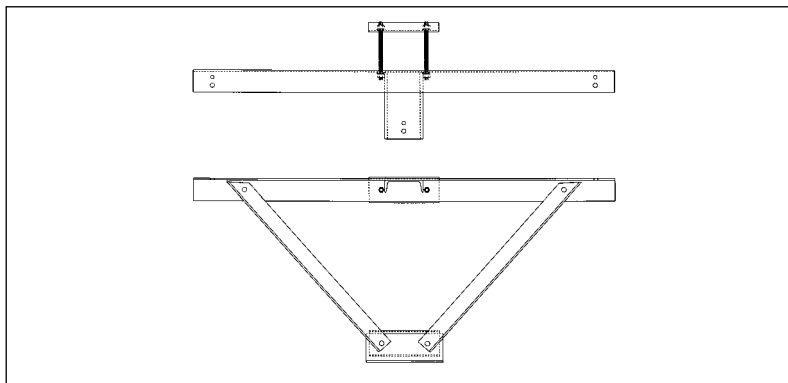
- Mounting hardware not included
- Finish: Primer "P" or Hot dip galvanized "G"
- Minimum pole diameter for mounting is 4"
- See page 38 for square poles and diameters less than 4"

STEEL

CATALOG NO.	WT/LBS
S6-T6-WPP	221
◆ S6-T6-WPG	239

◆ indicates stock item (in limited quantity)

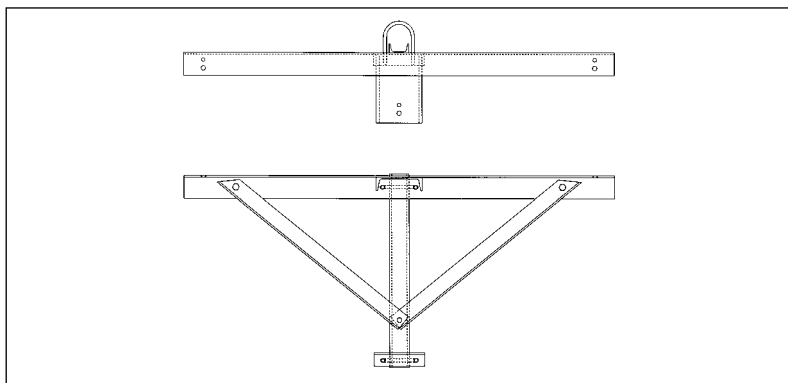
LIGHTING BRACKETS FOR SQUARE POLES



SPORTS LIGHTING

- Two to six lights
- Mounting hardware included
- Finish: Primer or Hot dip galvanized
- Indicate pole size when ordering

LIGHTING BRACKETS FOR ROUND POLES

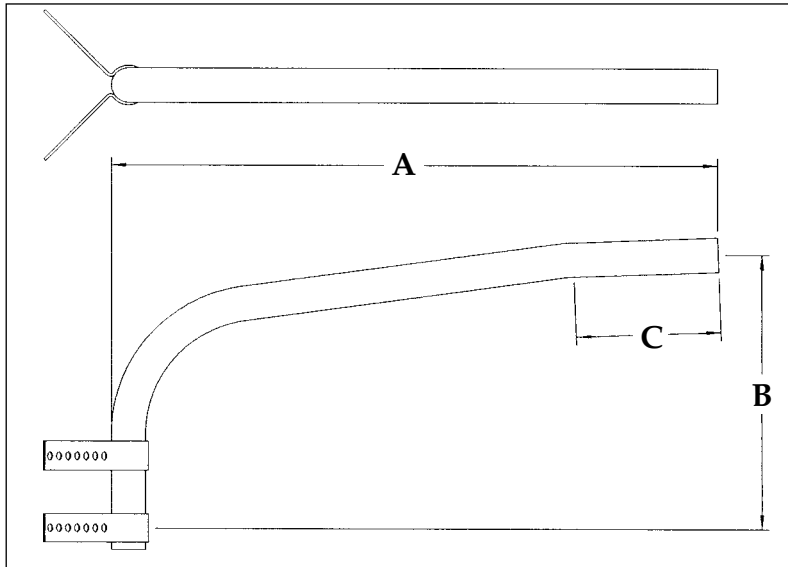


SPORTS LIGHTING

- Two to six lights
- Mounting hardware included
- Finish: Primer or Hot dip galvanized
- Indicate pole size when ordering

"E" SERIES - CANTILEVER STYLE BRACKET

CORNER MOUNTING



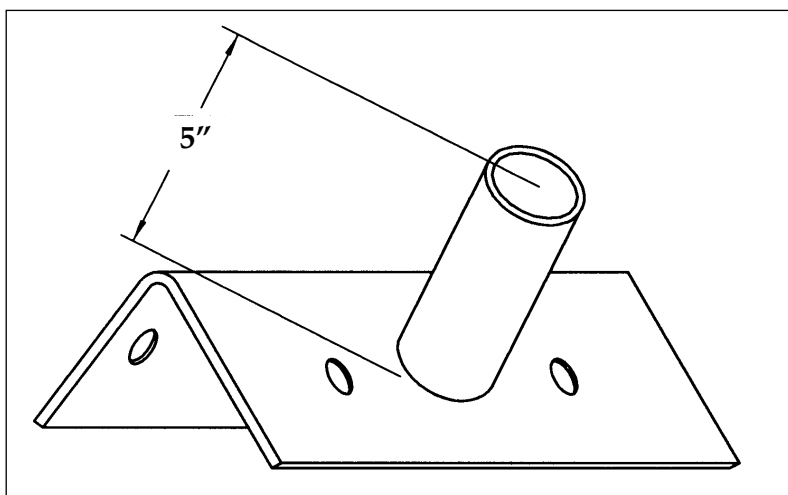
- Mounting hardware not included
- Finish: Hot dip galvanized

STEEL

CATALOG NO.	PIPE SIZE	NOM. LGTH.	A	B	C	WT/LBS
E125S026K	1-1/4"	2'-6"	30"	15"	10"	10
E125S040K	1-1/4"	4'	42"	19"	10"	12
E125S060K	1-1/4"	6'	66"	24"	12"	16
E200S026K	2"	2'-6"	30"	15"	10"	16
E200S040K	2"	4'	42"	19"	10"	19
E200S060K	2"	6'	66"	24"	12"	26
E200S080K	2"	8'	90"	30"	15"	31

PARAPET BRACKET

CORNER MOUNTING



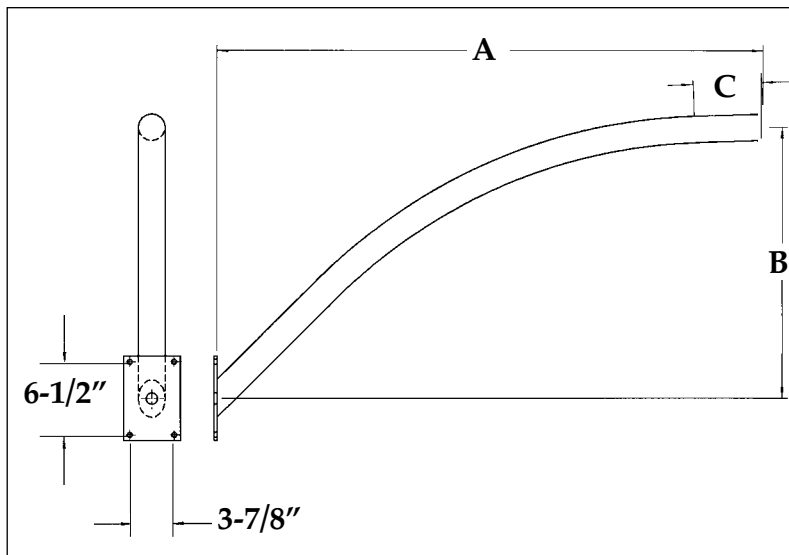
- Mounting hardware not included
- Finish: Primer
- For hot dip galvanized, substitute "G" in place of "P"

STEEL

CATALOG NO.	PIPE SIZE	WT/LBS
◆ PC-2P	2"	8

◆ indicates stock item (in limited quantity)

"J" SERIES - CONTINUOUS UPSWEEP STYLE BRACKET WALL MOUNTING

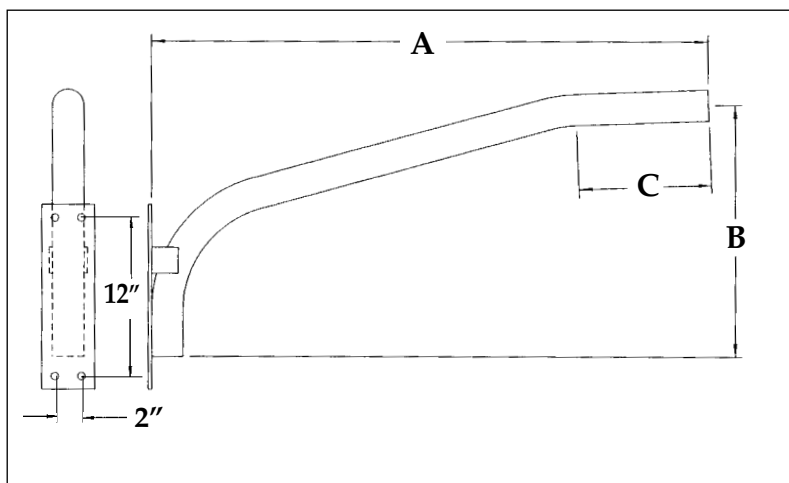


- Mounting hardware not included
- Finish: Hot dip galvanized

STEEL

CATALOG NO.	PIPE SIZE	NOM. LGTH.	A	B	C	WT/LBS
J200S040F	2"	4'	48"	24"	6"	20
J200S060F	2"	6'	72"	30"	12"	28
◆ J200S080F	2"	8'	90"	25"	27"	34

"E" SERIES - CANTILEVER STYLE BRACKET WALL MOUNTING



- Mounting hardware not included
- Finish: Hot dip galvanized

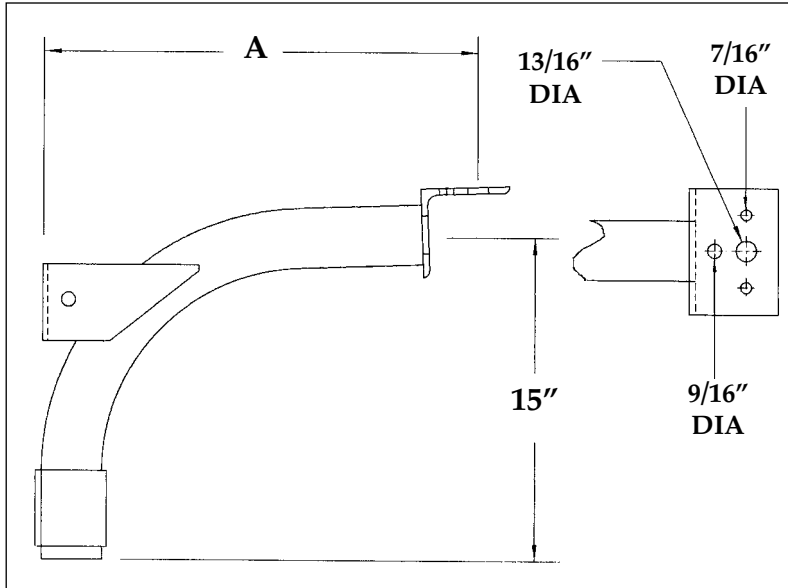
STEEL

CATALOG NO.	PIPE SIZE	NOM. LGTH.	A	B	C	WT/LBS
E125S026F	1-1/4"	2'-6"	30"	15"	10"	11
E125S040F	1-1/4"	4'	42"	19"	10"	13
E125S060F	1-1/4"	6'	66"	24"	12"	18
E200S026F	2"	2'-6"	30"	15"	10"	17
E200S040F	2"	4'	42"	19"	10"	22
E200S060F	2"	6'	66"	24"	12"	30
E200S080F	2"	8'	90"	30"	15"	38

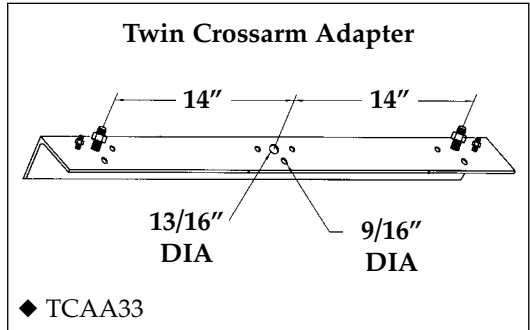
◆ indicates stock item (in limited quantity)

"P" SERIES - CROSS ARM BRACKET

WALL MOUNTING



- Fixture mounting hardware included
- Finish: hot dip galvanized
- For primer, substitute "P" in place of "S"

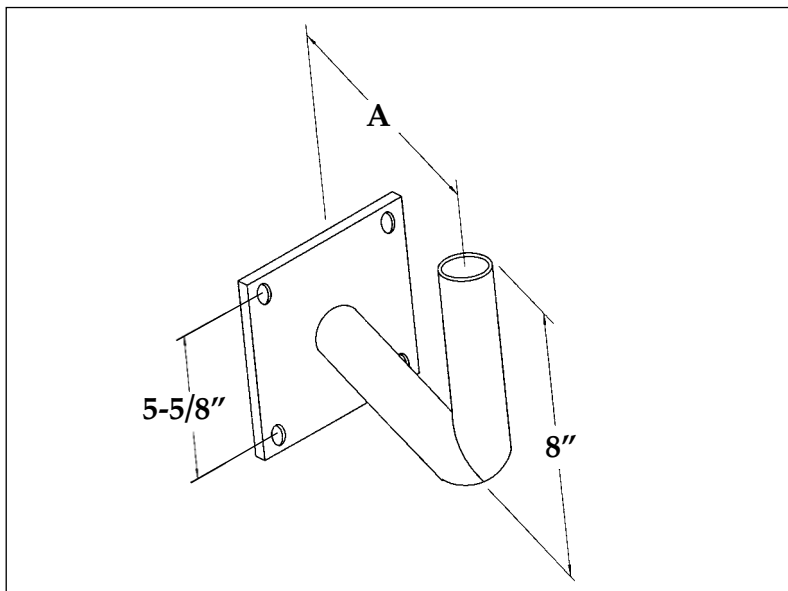


STEEL

CATALOG NO.	PIPE SIZE	NOM. LGTH.	A	WT/LBS
◆ P200S016CW	2"	1'-6"	18"	13
P200S040CW	2"	4'	48"	20

HEAVY RIGHT ANGLE BRACKET

WALL MOUNTING

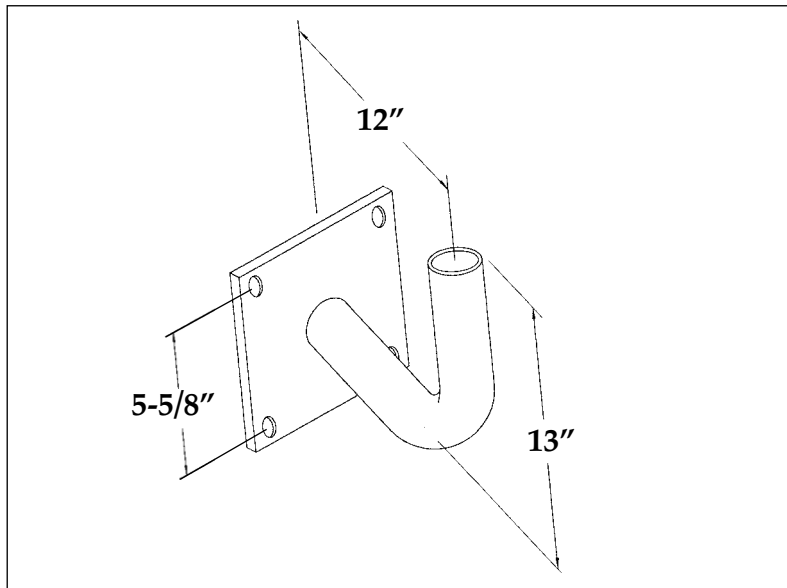


- Mounting hardware not included
- 9/16" diameter mounting holes
- 7" square mounting plate
- Finish: Primer
- For hot dip galvanized, substitute "G" in place of "P"
- For dark bronze, substitute "DB" in place of "P"

STEEL

CATALOG NO.	PIPE SIZE	A	WT/LBS
◆ RABH-P	2"	8-1/2"	11
◆ RABH14-P	2"	14"	12

◆ indicates stock item (in limited quantity)

RIGHT ANGLE BRACKET**WALL MOUNTING**

- Mounting hardware not included
- 9/16" diameter mounting holes
- 7" square mounting plate
- Finish: Primer
- For hot dip galvanized, substitute "G" in place of "P"
- For dark bronze, substitute "DB" in place of "P"

STEEL**CATALOG NO.**

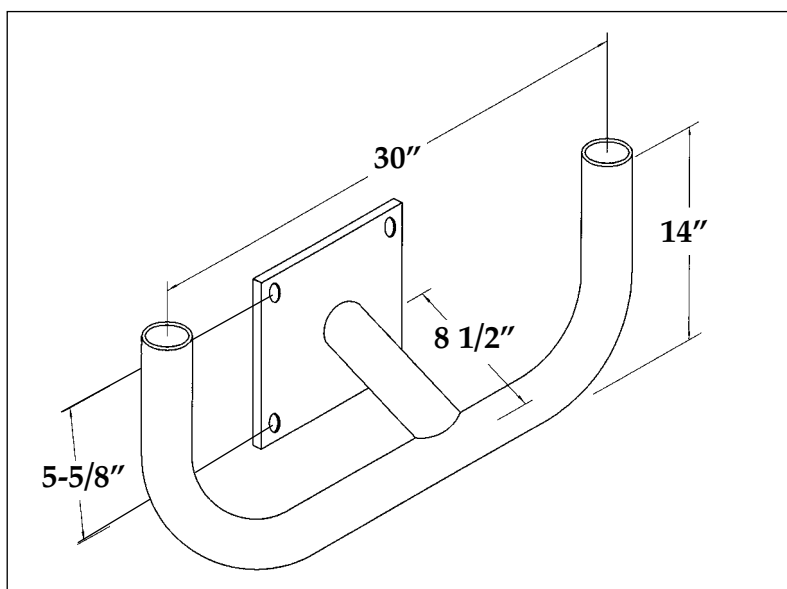
◆ RAB-P

PIPE SIZE

2"

WT/LBS

9

DOUBLE RIGHT ANGLE BRACKET**WALL MOUNTING**

- Mounting hardware not included
- 9/16" diameter mounting holes
- 7" square mounting plate
- Finish: Primer
- For hot dip galvanized, substitute "G" in place of "P"
- For dark bronze, substitute "DB" in place of "P"

STEEL**CATALOG NO.**

◆ DRAB-P

◆ indicates stock item (in limited quantity)

PIPE SIZE

2"

WT/LBS

23